

2024 CATALOG



C A R P A R T S

# OMP

A BRAND OF

# RACING FORCE GROUP



Discover all Racing Force Group products



**OMP racewear**  
2024 catalog



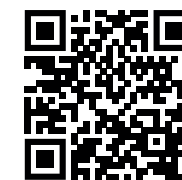
**OMP car parts**  
2024 catalog



**BELL helmets**  
2024 catalog



**Racing Spirit**  
2024 catalog



Scan the QR code  
for price list



# RACING FORCE GROUP



## The Group

Racing Force is the leading Group in the Motorsport Safety Product Industry with the most advanced and complete range of protection & performance products used worldwide by top professionals, amateur athletes, racing teams and car manufacturers from Formula 1® to World Rally Championship®, Sportscar racing, Stockcar, Rally-raid and Karting. In the last ten years Racing Force Group won more than 60 FIA World Championship titles along with IndyCar®, NASCAR® and Supercars® Championships. In order to gain international visibility and boosting its development plans, Racing Force is now a dual listed company: since November 2021 is listed on the Euronext Growth Milan market (RFG), and since September 2022 it entered also into the Euronext Growth Paris market (ALRFG). Racing Force Group (RFG) lies in the breadth of our iconic brand portfolio, our people, our vendors and our customers. The Group's core moral principles and work ethics include values such as integrity, respect, dedication, determination, diversity, sound judgment, dependability, accountability, teamwork, loyalty, quality and safety. We obtain success through a positive mental attitude, optimism, vision, courage, proactiveness and passion: this is our strength.

## We in numbers

9 BRANDS & MARKS  
TOGETHER AS ONE

SALES IN  
**80+** COUNTRIES  
EMPLOYEES OF  
**+56035** NATIONALITIES

8 LOCATIONS  
SHOWROOMS 7  
3 R&D CENTERS

MORE THAN  
**2.000** PRODUCTS  
CORPORATE AND  
**SOCIALLY** RESPONSIBLE

**2.000.000+**  
PIECES SHIPPED EVERY YEAR

PRODUCTS  
HOMOLOGATED BY **FIA | CIK-FIA | SFI | SNELL**

WE START FROM  
**WHY** WE DO IT



RACINGFORCEGROUP







# SAFETY & QUALITY FOR FIA

SIDE BY SIDE SINCE 2012



## FIA Motorsport



For over a decade Racing Force Group and FIA have been committed side by side on roads and racetracks to guarantee the protection of the people of racing. This story began in 2012 with the first agreement between OMP and the motorsport's world governing body, and it developed into something even bigger as Bell Racing Helmets became involved as well in the partnership.

## FIA Motorsport



Technical racing clothing for FIA officials and safety car drivers across a range of FIA world championships (from F1 down) comes exclusively from Racing Force Group: OMP fire retardant suits, shoes, gloves and underwear, and Bell helmets.



## FIA Karting Academy



Moreover, since 2017 OMP brand has the honor to supply technical racewear to the young contestants of FIA Karting Academy Trophy, the forge of tomorrow's motorsport champions.





ALONGSIDE WORLD CHAMPIONS SINCE 1973

OMP turned 50.  
In October 1973, in a suburb of Genoa, Italy, the company was founded to improve safety in auto racing.  
Since then, OMP has been growing bigger, stronger, a well-known brand around the world.  
Today OMP is one of the pillars of Racing Force Group.  
During all these years, OMP worked alongside legendary drivers, teams and manufacturers in the most important categories, providing protection and performance, becoming an icon of the modern motorsport era.  
In its first 50 years, OMP has always wanted to innovate and push the boundaries of what was possible in motorsports safety, setting new benchmarks and contributing to numerous world titles and countless victories.  
Now we are ready to begin our second half-century.







**1973**

OMP history begins with a Fiat 500 rollbar. Since then, OMP gets noticed more and more, becoming official car parts supplier for many Italian teams and manufacturers.



**1996**

Michael Schumacher kicks off his Ferrari era by choosing OMP overalls and gloves. It's the start of an historic collaboration, sharing 71 wins and five F1 world titles.



**2013**

Volkswagen Motorsport opens a four-year WRC domination with Sebastien Ogier and OMP. It's the first of many world titles for the HTE seat.



**2021**

OMP and Bell Racing Helmets converge into the new Racing Force Group, along the emerging startups of Zeronoise and Racing Spirit.



**1982**

OMP diversifies its production, entering the racewear market. The company soon supplies its first Formula 1 driver, Mauro Baldi of Arrows team.



**1999**

OMP ends in style the 20th century, celebrating the fourth consecutive World Rally Championship title along with the Mitsubishi Ralliart team and Tommi Mäkinen.



**2013**

OMP provides the drivers' overalls for award-winning "Rush" movie directed by Ron Howard, reproducing in detail the 1976 F1 season overalls.



**2022**

MotoGP legend Valentino Rossi begins his full-time car racing career, using OMP racewear and Bell Racing helmets through a multi-year partnership.



**1986**

OMP is the world's first company to obtain the new FIA ISO 86 homologation standards for fireproof racing suits.



**2008**

In February the control of OMP is acquired by SAYE S.P.A. Group, held by Delprato brothers from Genova.



**2016**

Teaming up with OTK Group, and creating a new range of products, OMP marks a revolution into the karting industry.



**2022**

OMP supplies Toyota Gazoo Racing WRT for the third WRC title in five years, while Kalle Rovanpera becomes youngest ever WRC champion.



**1989**

Gerhard Berger survives the flames of his Ferrari, after the crash during the F1 race at Imola. Credit goes to fireproof overalls and gloves made by OMP. Millions of people see those moments on live TV, and the company becomes popular all over the world.



**2010**

OMP returns to Formula 1, signing an agreement with Renault F1 Team to supply the first safety belts designed and built entirely by its R&D department.



**2017**

OMP presents "One Art", the first totally customized fire retardant suit. The "Print Art" technology guarantees complete control of the design process.



**2023**

OMP becomes official partner of the 24 Hours of Le Mans and the FIA WEC, supplying safety gear for marshals, safety-car drivers, doctors, and all the on-track personnel.



**1990**

OMP supplies F1 star Ayrton Senna. The partnership will last until the death of the legendary Brazilian driver, with 20 race victories and two world F1 titles scored together.



**2012**

OMP conquers the US celebrating its maiden IndyCar Series title with Andretti Autosport driver Ryan Hunter-Reay.



**2017**

OMP harnesses are chosen by Mercedes AMG Petronas Motorsport Team, which extends its Formula 1 Manufacturers' World Championships streak till the 2021 season.



**2023**

Envision Racing wins an historic FIA Formula E Teams' World Championship using the OMP racewear for its drivers.

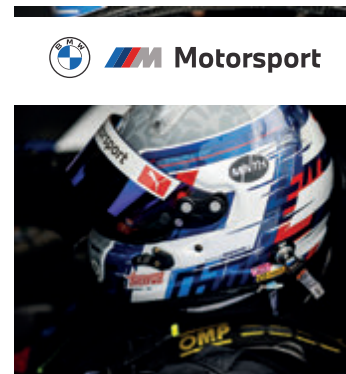


**2019**

OMP acquires Bell Racing Helmets, giving birth to the biggest worldwide player in motorsport safety equipment.

# RACING SPIRIT SINCE 1973





# OUR PARTNERSHIPS



KALLE ROVANPERÄ



TOYOTA GAZOO



SEATS





# SEAT HOMOLOGATION STANDARDS

## **FIA 8862-2009** HIGH-TECH TOP LEVEL SEATS

BEST SAFETY/WEIGHT RATIO HIGH-TECH CARBON FIBER AND FIBERGLASS SHELL.  
MANDATORY IN FIA WORD CHAMPIONSHIP SUCH AS WRC, WEC AND OTHER TOP CATEGORIES.

SEE PAG. 16-27



## **FIA 8855-2021** NEW HIGH-SAFETY STANDARD

HIGH PROTECTION SHAPE 8862 INSPIRED REDUCED WEIGHT CARBON FIBER SHELL.

SEE PAG. 30-35



## **FIA 8855-1999** MOST WIDERSPREAD RACING SEAT RANGE

THREE MAIN MATERIALS: ENTRY LEVEL TUBULAR FRAME, MEDIUM RANGE FIBERGLASS SHELL, OR THE LIGHTER CARBON FIBER SHELL.

WIDE RANGE OF SHAPES SUITABLE FOR ANY TYPE OF SALOON CAR.

SEE PAG. 38-67





NEW

# HTE-ONE ULTRA LITE

FOCUS ON



HA0-0829-A01

ON REQUEST

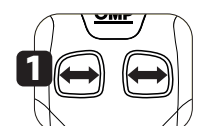
FIA 8862-2009

FIA APPROVED

MANUFACTURER: OMP  
 MODEL: HTE ONE LITE  
 HOM. NO.: AS.084.19  
 FIA STANDARD: FIA 8862-2009

**EXTREMELY ULTRA LIGHTWEIGHT  
 VERSION OF HTE ONE LITE SEAT,  
 AVAILABLE UPON REQUEST.**

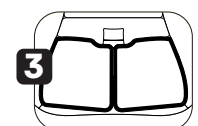
Realized with exclusive technology for maximum resistance and lightness. 3D fabric upholstery. Upholstering customized on demand. The use of supports homologated with the seat in accordance with the Technical List n°40 is compulsory.



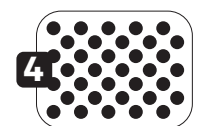
larger shoulder  
harness slots



back, base  
removable cushions



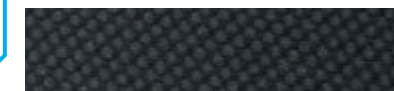
split leg removable  
cushion



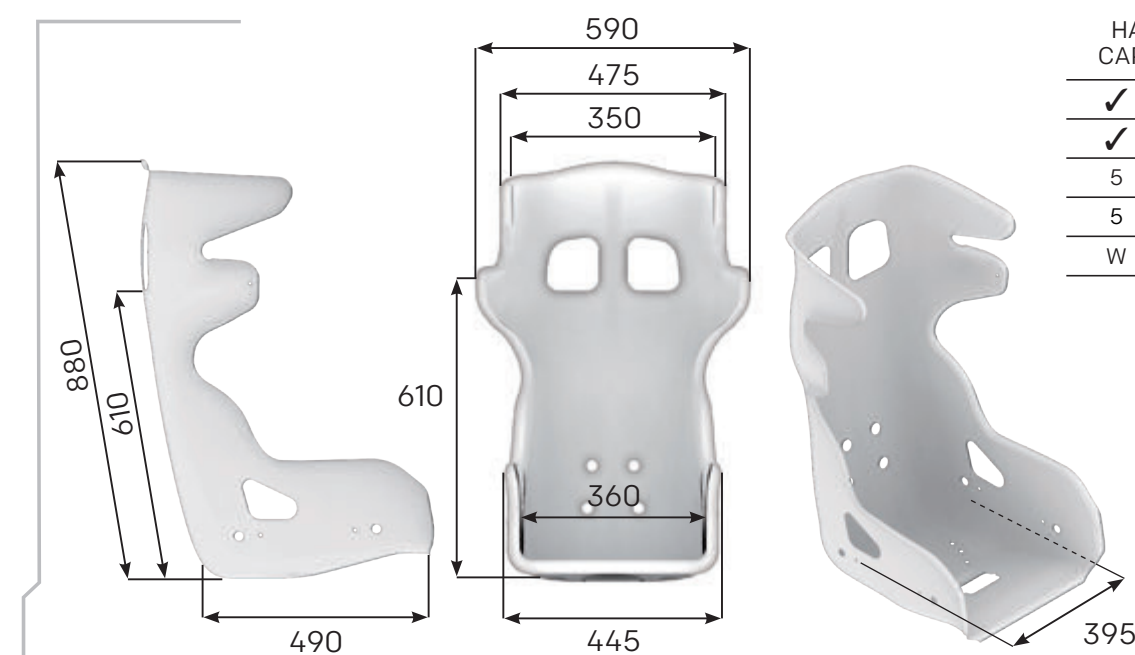
base cushion  
with anti-slip material



3D FABRIC  
UPHOLSTERING



ULTRALIGHT CARBON  
FIBER SHELL



HANS® COMPATIBLE  
CARBON FIBER SHELL

✓	3D FABRIC
✓	CUSHIONS SPLIT LEG
5	HARNES SLOTS
5	WEIGHT* (KG)
W	FIXING M12

SEE SEAT COMPARISON TABLE PAGE 68





HA0-0807-A01

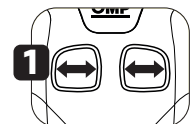
**FIA 8862-2009**

**FIA APPROVED**

MANUFACTURER: OMP  
MODEL: HTE ONE LITE  
HOM. NO.: AS.084.19  
FIA STANDARD: FIA 8862-2009



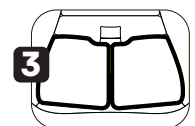
**HIGH RESISTANT AND ULTRA LIGHTWEIGHT CARBON FIBER SEAT** realized with exclusive technology for maximum resistance and lightness. 3D fabric upholstery. Upholstering customized on demand. The use of supports homologated with the seat in accordance with the Technical List n°40 is compulsory.



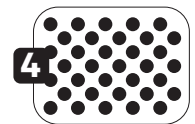
larger shoulder harness slots



back, base removable cushions



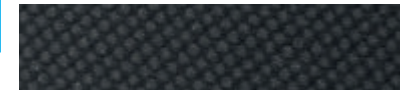
split leg removable cushion



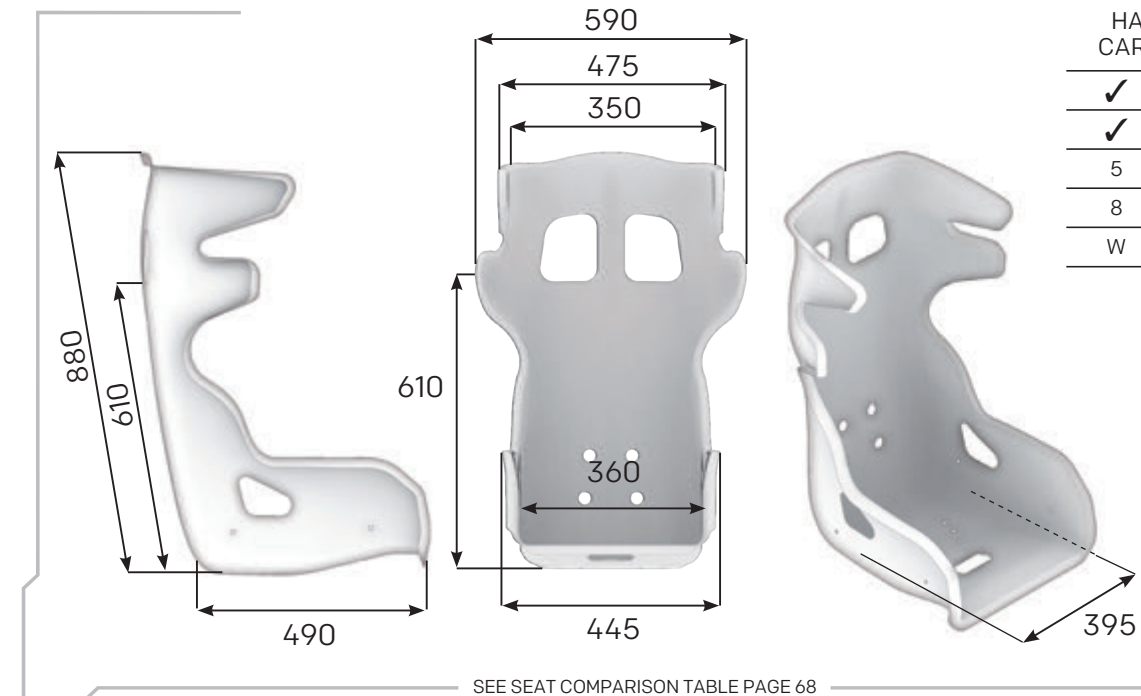
base cushion with anti-slip material



**3D FABRIC UPHOLSTERING**



**ULTRALIGHT CARBON FIBER SHELL**



HANS® COMPATIBLE CARBON FIBER SHELL

✓	3D FABRIC
✓	CUSHIONS SPLIT LEG
5	HARNESS SLOTS
8	WEIGHT* (KG)
W	FIXING M12

SEE SEAT COMPARISON TABLE PAGE 68





# HTE-ONE E 2

# HTE-ONE E XL

HA0-0825-A01

FIA 8862-2009



MANUFACTURER: OMP  
MODEL: HTE ONE E2  
HOM. NO.: AS.093.21  
FIA STANDARD: FIA 8862-2009

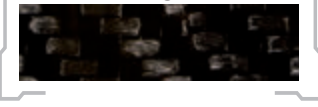
**SAFETY STANDARDS WITH FORMULA 1 KNOW-HOW.**  
Exclusive technology for maximum resistance and lightness. Upholstering customized on demand. The use of supports homologated with the seat in accordance with the Technical List n°40 is compulsory.



3D FABRIC UPHOLSTERING

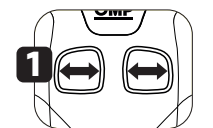


LIGHT CARBON FIBER SHELL

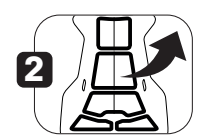


HANS® COMPATIBLE CARBON FIBER SHELL

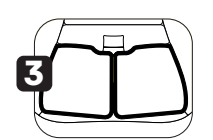
✓	3D FABRIC
✓	CUSHIONS SPLIT LEG
5	HARNESS SLOTS
9.9	WEIGHT* (KG)
W	FIXING M12



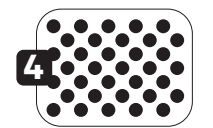
larger shoulder harness slots



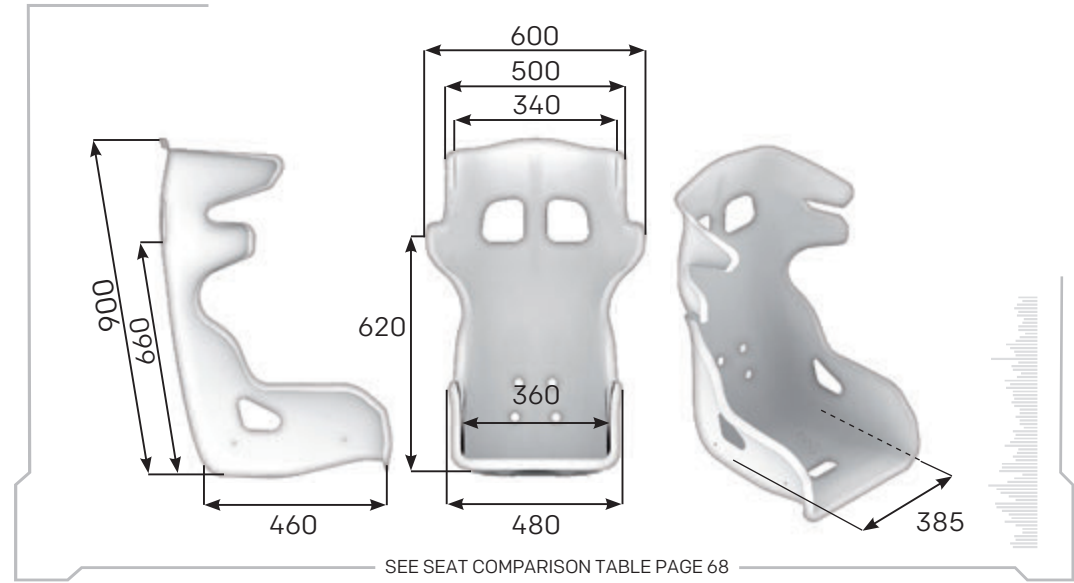
back, base removable cushions



split leg removable cushion



base cushion with anti-slip material



HA0-0798-A01

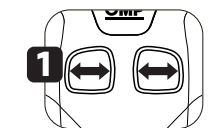
FIA 8862-2009



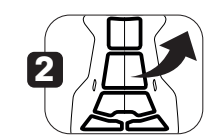
MANUFACTURER: OMP  
MODEL: HTE ONE XL  
HOM. NO.: AS.067.17  
FIA STANDARD: FIA 8862-2009

Same characteristics as HA0-0825. The use of supports homologated with the seat in accordance with the Technical List n°40 is compulsory.

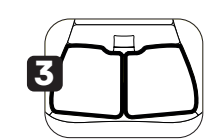
**XL VERSION LARGER AND HIGHER**



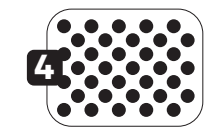
larger shoulder harness slots



back, base removable cushions



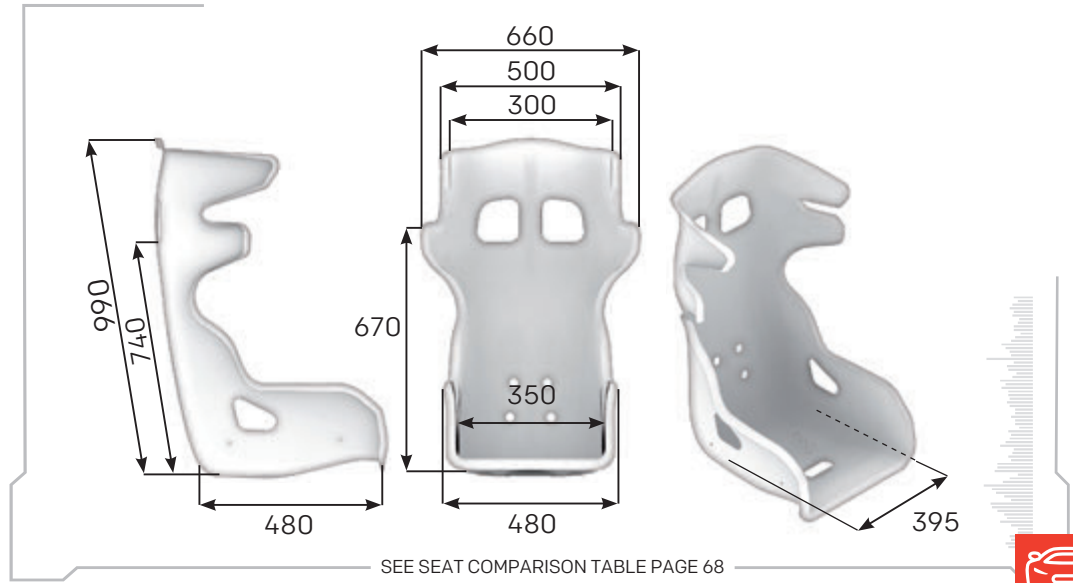
split leg removable cushion



base cushion with anti-slip material

HANS® COMPATIBLE CARBON FIBER SHELL

✓	3D FABRIC
✓	CUSHIONS SPLIT LEG
5	HARNESS SLOTS
10.1	WEIGHT* (KG)
W	FIXING M12





# HRC-ONE LITE

# HRC-ONE LITE RC

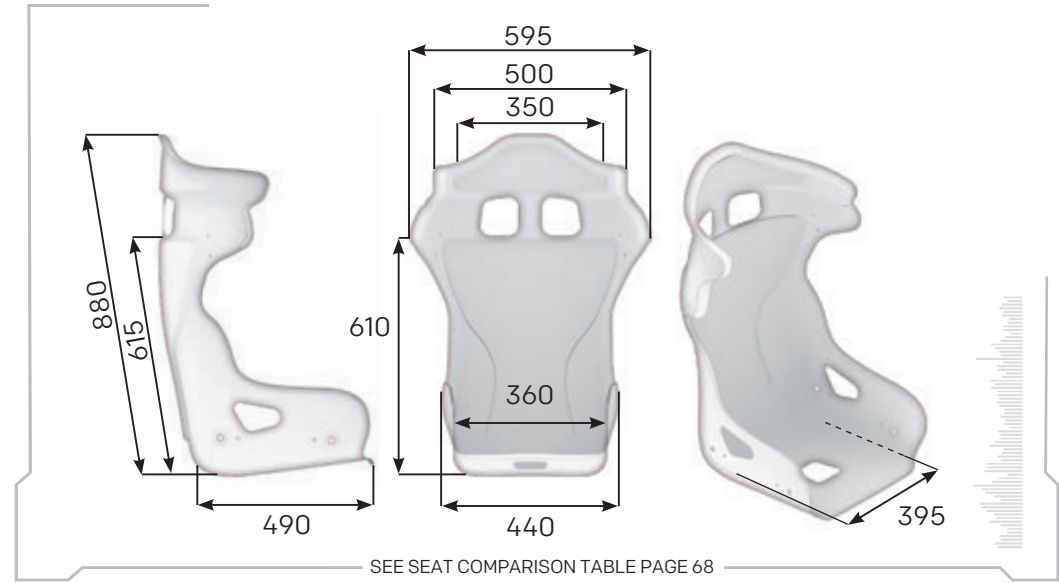
HA0-0800-A01

**FIA 8862-2009**  
**FIA APPROVED**  
 MANUFACTURER: OMP  
 MODEL: HRC ONE LITE  
 HOM. NO.: AS.075.19  
 FIA STANDARD: FIA 8862-2009



**ULTRA LIGHTWEIGHT CARBON FIBER SEAT**  
 Designed to allow installation and comfortable driving position also in GT cars with reduced internal room. 3D fabric upholstery. The use of supports homologated with the seat in accordance with the Technical List n°40 is compulsory. HCO-0893 HSC PATENT included.

- 1** HSC adjustable harness slots
- 2** back, base removable cushions
- 3** split leg removable cushion
- 4** base cushion with anti-slip material



**ULTRALIGHT VERSION**  
**-20% WEIGHT**

HANS® COMPATIBLE CARBON FIBER SHELL

✓	3D FABRIC
✓	CUSHIONS SPLIT LEG
5	HARNESS SLOTS
6.8	WEIGHT* (KG)
W	FIXING M12

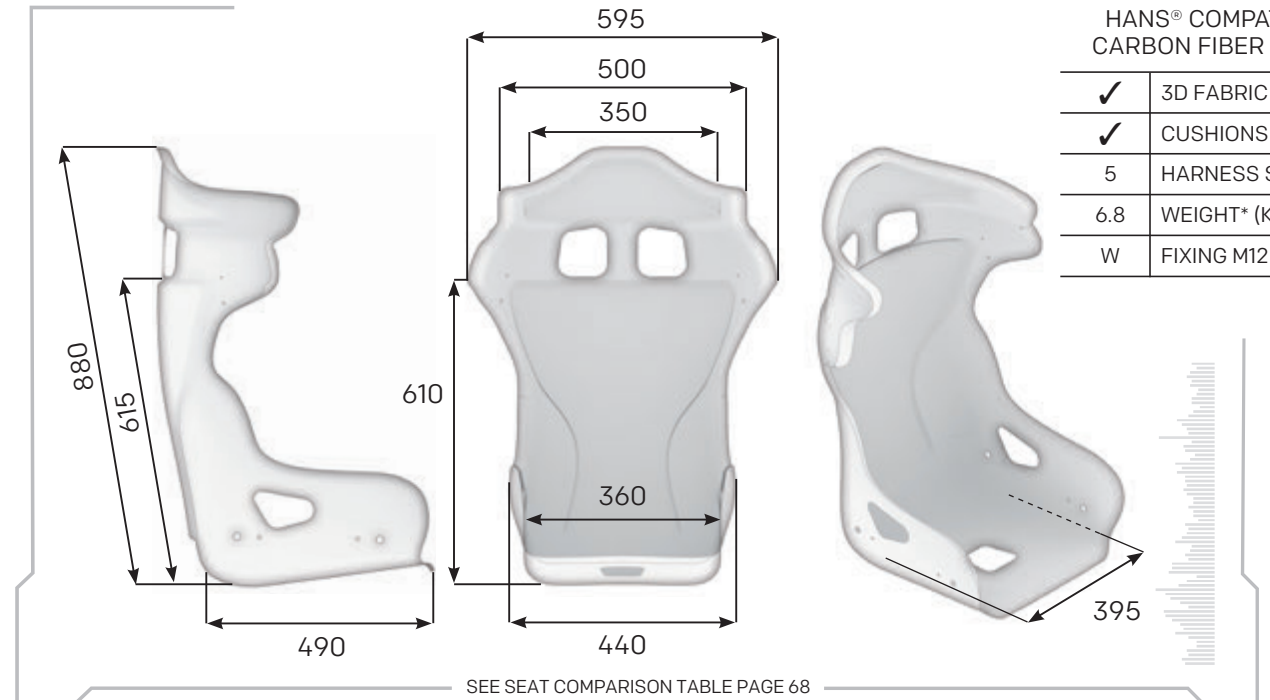
HA0-0805-A01

**FIA 8862-2009**  
**FIA APPROVED**  
 MANUFACTURER: OMP  
 MODEL: HRC ONE LITE RC  
 HOM. NO.: AS.083.19  
 FIA STANDARD: FIA 8862-2009



**LIGHTWEIGHT CARBON FIBER SEAT**  
 designed to allow installation and comfortable driving position also in GT cars with reduced internal room. 3D fabric upholstery. The use of supports homologated with the seat in accordance with the Technical List n°40 is compulsory.

**HRC ONE LITE SEAT VERSION WITH TWO ATTACHMENT POINTS TO THE ROLLCAGE**  
**(MANDATORY REQUIREMENT FOR GT3 CARS HOMOLOGATED AFTER 1ST JANUARY 2019)**



HANS® COMPATIBLE CARBON FIBER SHELL

✓	3D FABRIC
✓	CUSHIONS SPLIT LEG
5	HARNESS SLOTS
6.8	WEIGHT* (KG)
W	FIXING M12

**3D FABRIC UPHOLSTERING**  
 with dotted base cushion

**ULTRALIGHT CARBON FIBER SHELL**



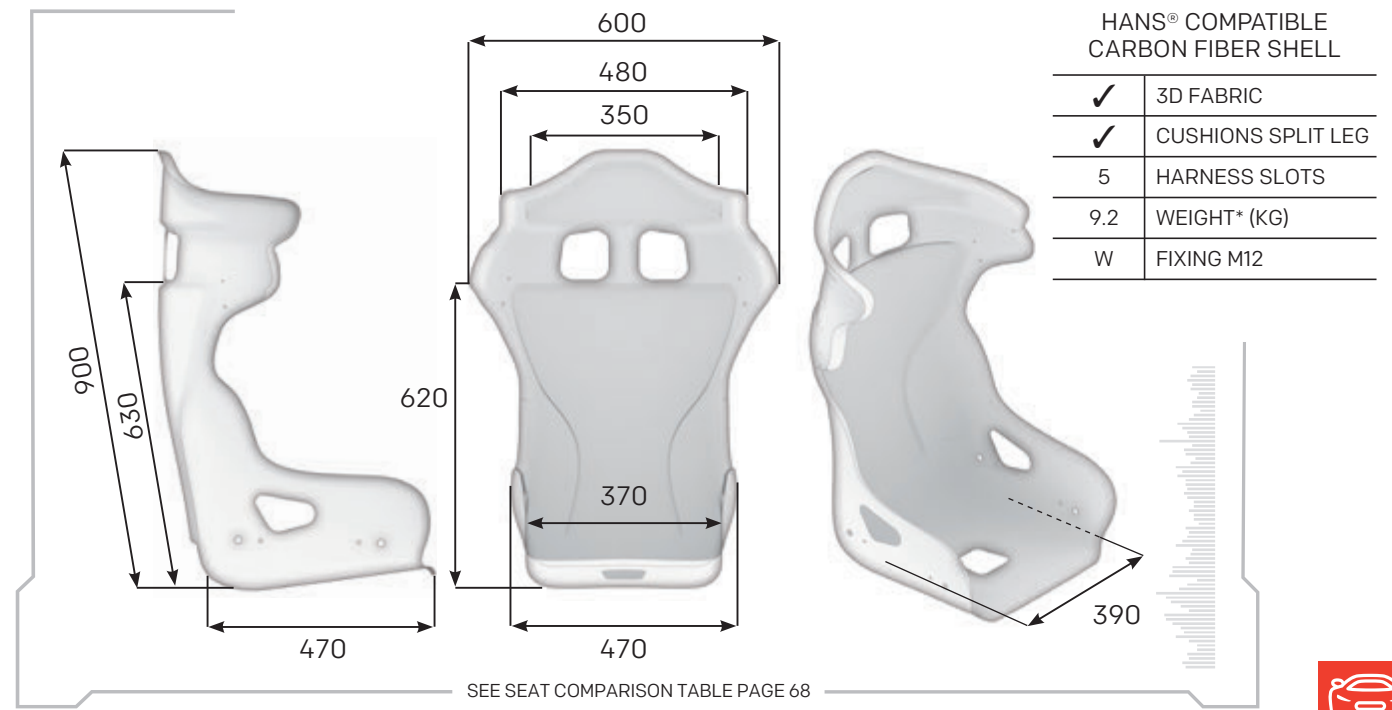
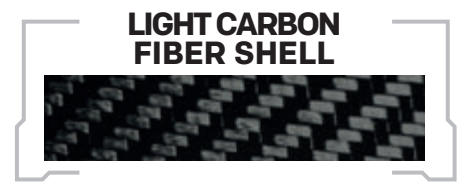
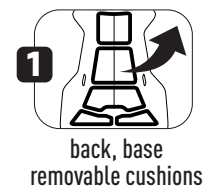
HA0-0789-A01

**FIA 8862-2009**

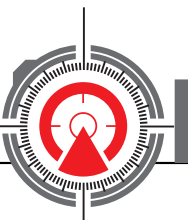


MANUFACTURER: OMP  
MODEL: HRC ONE  
HOM. NO.: AS.033.14  
FIA STANDARD: FIA 8862-2009

**SAFETY COMPARABLE TO FORMULA 1 CARS**, with exclusive technology for maximum resistance and lightness. Designed to allow installation and comfortable driving position also in GT cars with reduced internal room. The use of supports homologated with the seat in accordance with the Technical List n°40 is compulsory.







HA0-0815-A01

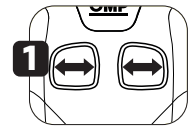
**FIA 8862-2009**



MANUFACTURER: OMP  
MODEL: HTC ONE  
HOM. NO.: AS.085.19  
FIA STANDARD: FIA 8862-2009



**CARBON FIBER SEAT HIGH RESISTANT AND ULTRALIGHT SHELL**  
Best lightness/price rate. High protection shoulder and head containment, designed to allow installation and comfortable driving position also in GT cars with reduced internal room. The use of supports homologated with the seat in accordance with the Technical List n°40 is compulsory.



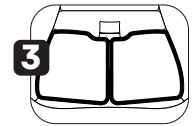
larger shoulder harness slots



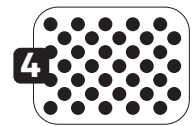
HSC PATENT COMPATIBLE



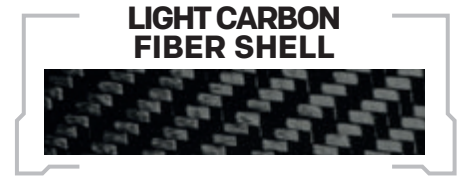
high comfort and containment



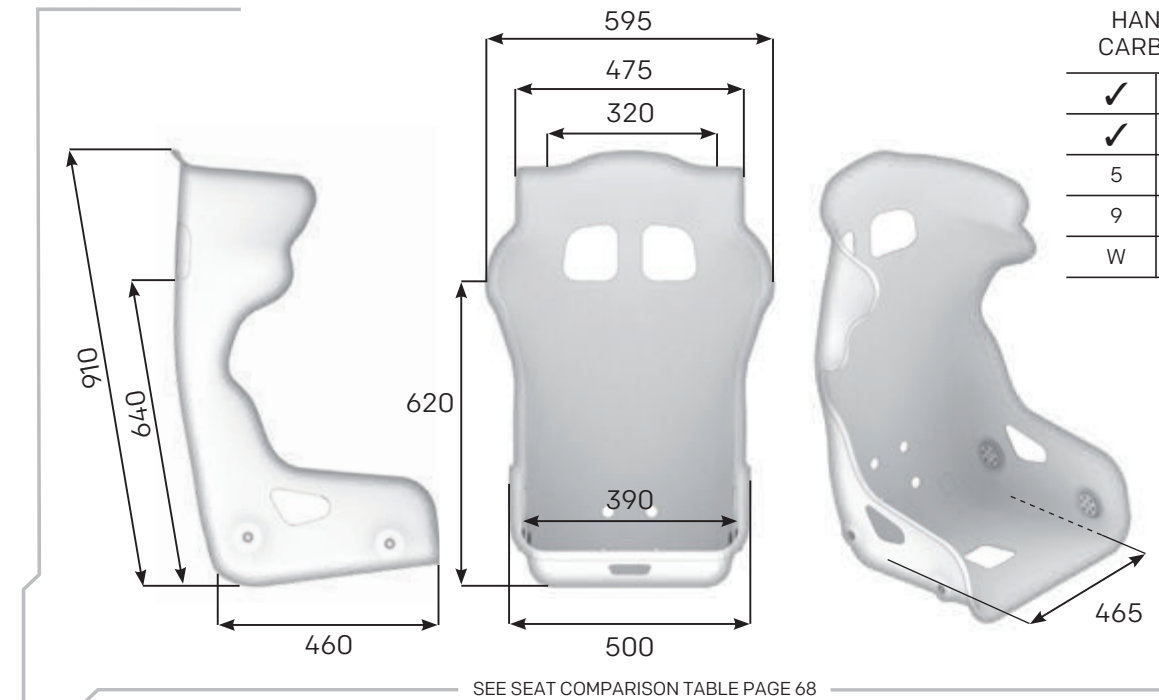
split leg removable cushion



base cushion with anti-slip material



STANDARD: L SIZE  
M SIZE (HIGHER CONTAINMENT) AVAILABLE



SEE SEAT COMPARISON TABLE PAGE 68







## HA0-0900-A01

FIA 8855-2021

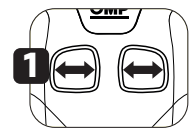


MANUFACTURER: OMP  
MODEL: HTC EVO CARBON  
HOM. NO.: CS.009.21  
FIA STANDARD: FIA 8855-2021



### RACING SEAT

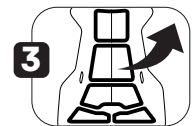
High protection shoulder and head containment, designed to allow installation and comfortable driving position also in GT cars with reduced internal room. Racing net references on side, large shoulder harness slots. Upholstering in new breathable 3D fabric. Mandatory brackets HC0-0945 excluded.



larger shoulder harness slots



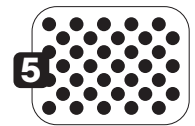
high comfort and containment



back, base removable cushions



shaped leg cushion

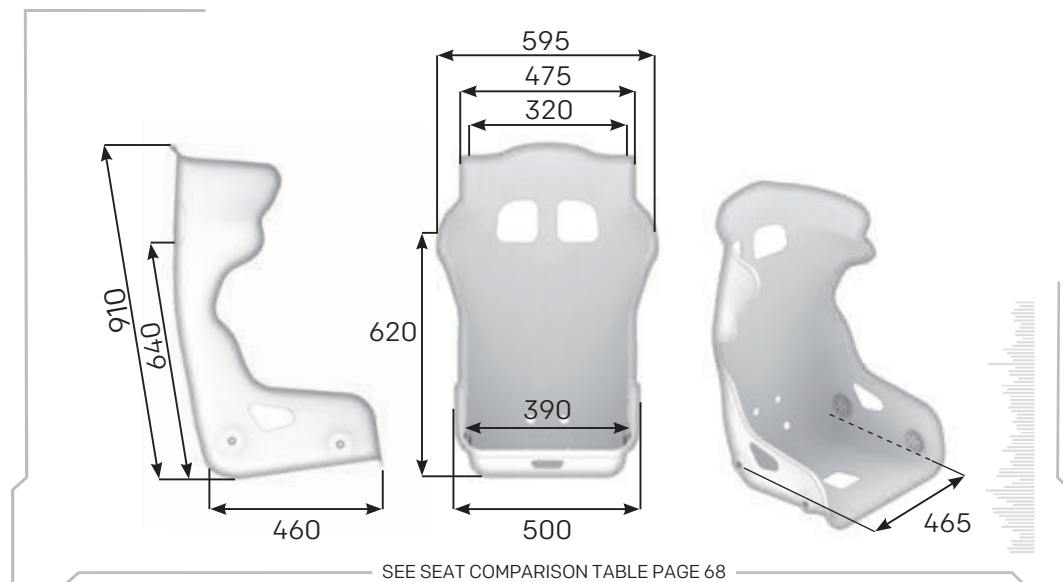


base and shoulders upholstered with anti-slip material



HANS® COMPATIBLE CARBON FIBER SHELL

✓	3D FABRIC
✓	SHAPED LEG CUSHION
5	HARNESS SLOTS
7.8	WEIGHT* (KG)
W	FIXING M12



## HA0-0903-A01

FIA 8855-2021



MANUFACTURER: OMP  
MODEL: HTC EVO  
HOM. NO.: CS.015.23  
FIA STANDARD: FIA 8855-2021

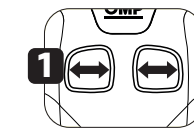


**GEL COATED FIBERGLASS SEAT**  
Same features as HA0-0900-A01, but with gel coated fiberglass shell. Mandatory brackets HC0-0951-A03 not included



HANS® COMPATIBLE CARBON FIBER SHELL

✓	3D FABRIC
✓	SHAPED LEG CUSHION
5	HARNESS SLOTS
12.5	WEIGHT* (KG)
W	FIXING M12



larger shoulder harness slots



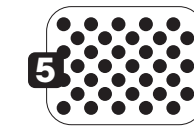
high comfort and containment



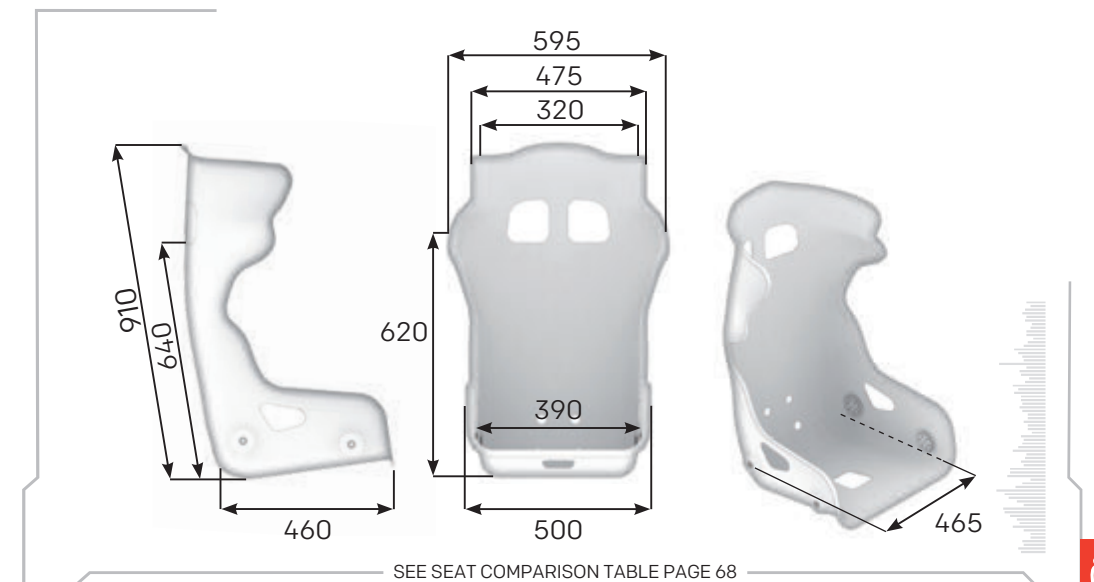
back, base removable cushions



shaped leg cushion



base and shoulders upholstered with anti-slip material





HA0-0902-A01

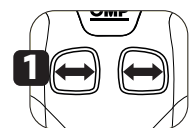
FIA 8855-2021

 APPROVED

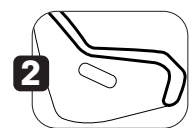
MANUFACTURER: OMP  
MODEL: HTE EVO2 CARBON  
HOM. NO.: CS.016.23  
FIA STANDARD: FIA 8855-2021

**RACING SEAT**

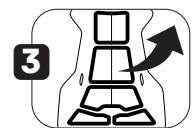
Innovative ultraproductive shell inspired by the multi world champion OMP HTE ONE LITE seat. High protection and containment, designed to accommodate various heights. Racing net references on side, large shoulder harness slots. Upholstering in new breathable 3D fabric. Mandatory brackets HCO-0951-A01 not included.



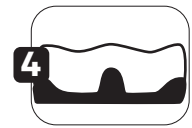
larger shoulder harness slots



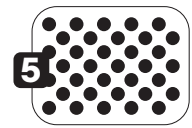
high comfort and containment



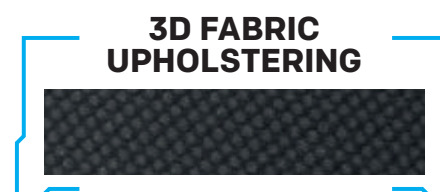
back, base removable cushions



shaped leg cushion



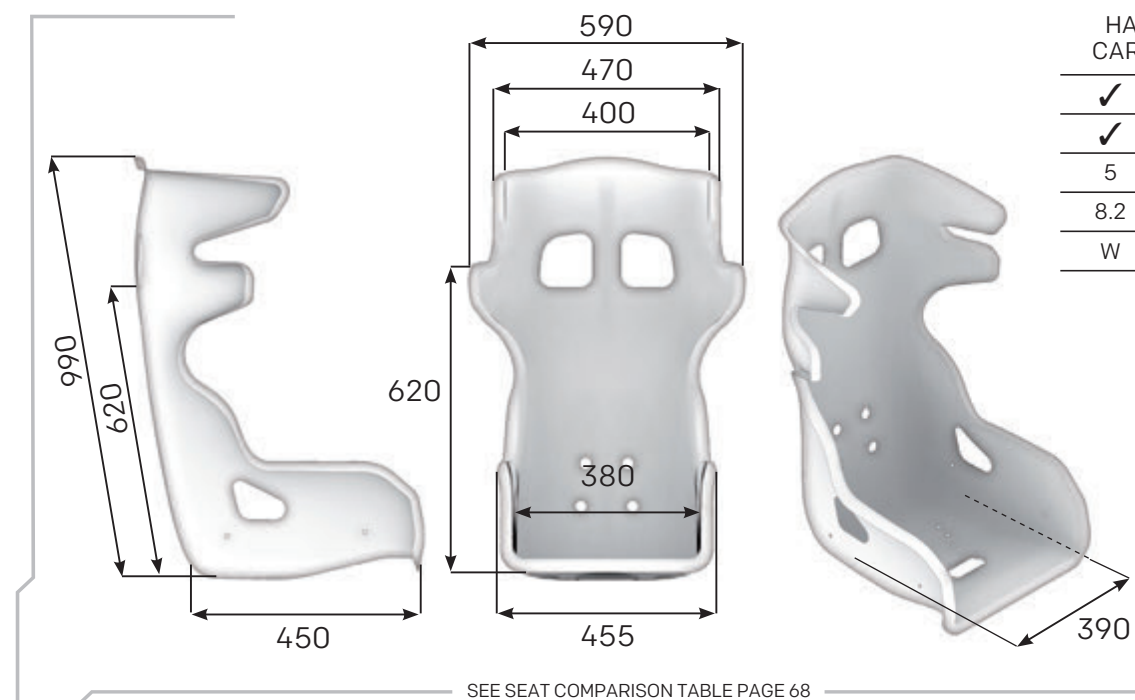
base and shoulders upholstered with anti-slip material



3D FABRIC UPHOLSTERING



ULTRA PROTECTIVE CARBON FIBER SHELL



HANS® COMPATIBLE CARBON FIBER SHELL

✓	3D FABRIC
✓	SHAPED LEG CUSHION
5	HARNESS SLOTS
8.2	WEIGHT* (KG)
W	FIXING M12

SEE SEAT COMPARISON TABLE PAGE 68



HA0-0901-A01

FIA 8855-2021

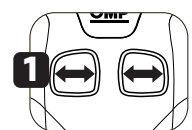
FIA APPROVED

MANUFACTURER: OMP  
 MODEL: HTE EVO 2  
 HOM. NO: CS.017.23  
 FIA STANDARD: FIA 8855-2021



## RACING SEAT

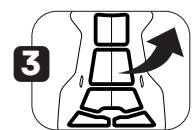
Innovative ultraproductive shell inspired by the multi world champion OMP HTE ONE LITE seat. High protection and containment, designed to accommodate various heights. Large shoulder harness slots. Upholstering in new 3D velour and antislip point. Mandatory brackets HCO-0951-A02 not included.



larger shoulder harness slots



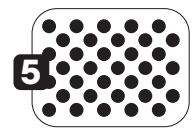
high comfort and containment



back, base removable cushions

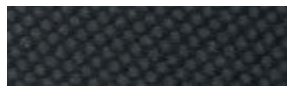


shaped leg cushion



base and shoulders upholstered with anti-slip material

## 3D FABRIC UPHOLSTERING

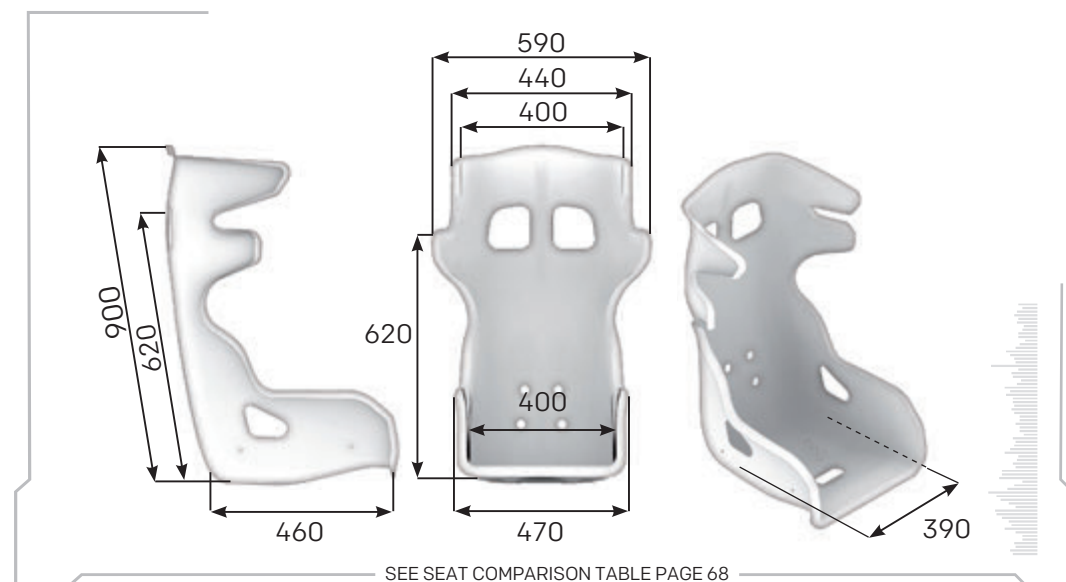


## GEL COATED FIBERGLASS SHELL



## HANS® COMPATIBLE CARBON FIBER SHELL

✓	3D FABRIC
✓	SHAPED LEG CUSHION
5	HARNESS SLOTS
12.6	WEIGHT* (KG)
W	FIXING M12



NEW

## HTE-EVO 2 XL

HA0-0904-A01

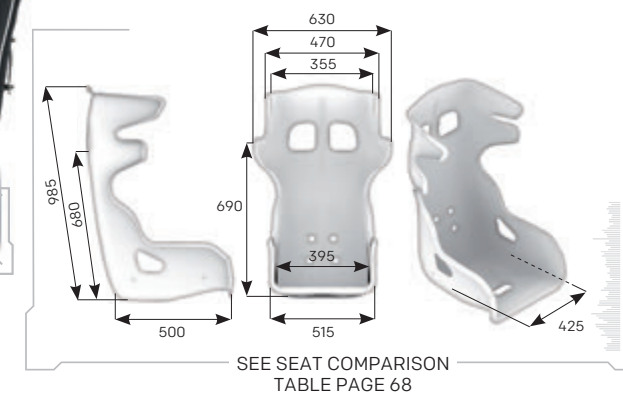
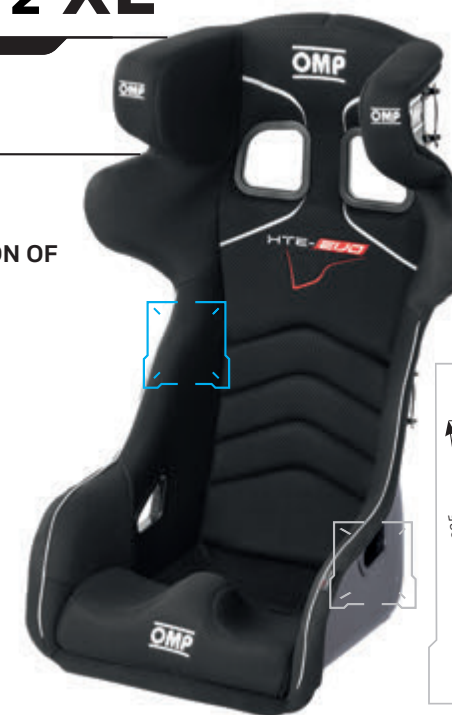
"XL" SHAPE: LARGER VERSION OF HTE EVO SEAT.

Same characteristics as HA0-0901.

FIA 8855-2021

FIA APPROVED

MANUFACTURER: OMP  
 MODEL: XXXXXX  
 HOM. NO: CS.XXX.21  
 FIA STANDARD: FIA 8855-2021



## HANS® COMPATIBLE CARBON FIBER SHELL

✓	3D FABRIC
✓	SHAPED LEG CUSHION
5	HARNESS SLOTS
	WEIGHT* (KG)
W	FIXING M12

NEW

## HTE-EVO 2 S

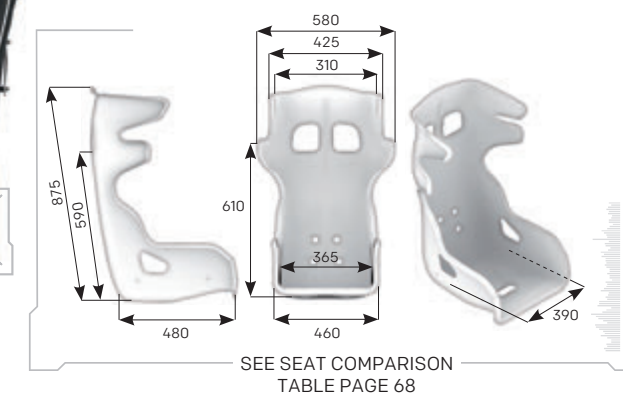
HA0-0905-A01

"S" SHAPE: COMPACT VERSION OF HTE EVO SEAT.

FIA 8855-2021

FIA APPROVED

MANUFACTURER: OMP  
 MODEL: XXXXXXXX  
 HOM. NO: CS.XXX.21  
 FIA STANDARD: FIA 8855-2021



## HANS® COMPATIBLE CARBON FIBER SHELL

✓	3D FABRIC
✓	SHAPED LEG CUSHION
5	HARNESS SLOTS
	WEIGHT* (KG)
W	FIXING M12








**HA0-0745-A01**
**FIA 8855-1999**
**FIA APPROVED**

 MANUFACTURER: OMP  
 MODEL: MCC/PROTOTIPO  
 HOM. NO.: CS.119.04  
 FIA STANDARD: FIA 8855-1999

**IDEAL SEAT FOR GT CARS**

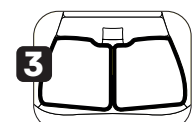
with ultralight carbon shell. Large shoulder harness slots to accommodate various heights. High side bolsters for lateral leg support and maximum protection. Head, back, side, base and splitted leg cushions are removable to allow maximum individual seating comfort. Upholstered entirely in velour. Compatible with Hans device.



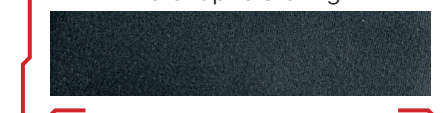
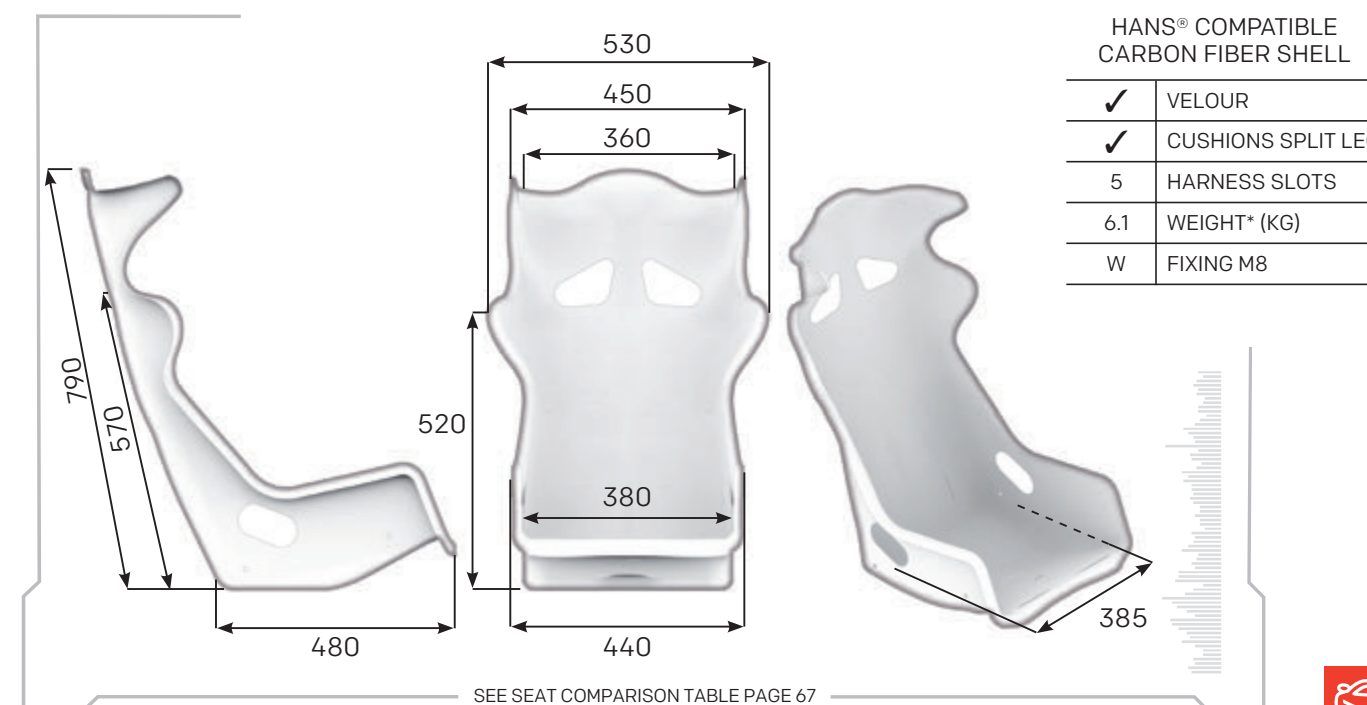
1 shaped safety head rest



2 head, back, lateral and base removable cushion



3 split leg cushion


**VELOUR**  
 total upholstery

**ULTRALIGHT  
 CARBON FIBER SHELL**




HA0-0818-A01

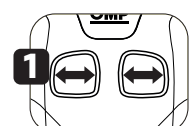
FIA 8855-1999

FIA APPROVED

MANUFACTURER: OMP  
 MODEL: HTE EVO VTR  
 HOM. NO.: CS.440.19  
 FIA STANDARD: FIA 8855-1999

**FIBERGLASS FIBER SEAT**

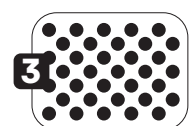
Innovative ultraproductive shell inspired by the multi world champion OMP HTE ONE EVO seat. High protection and containment, designed to accommodate various heights. Large shoulder harness slots. Upholstering in velour and Airnet.



larger shoulder harness slots



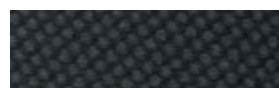
high protection



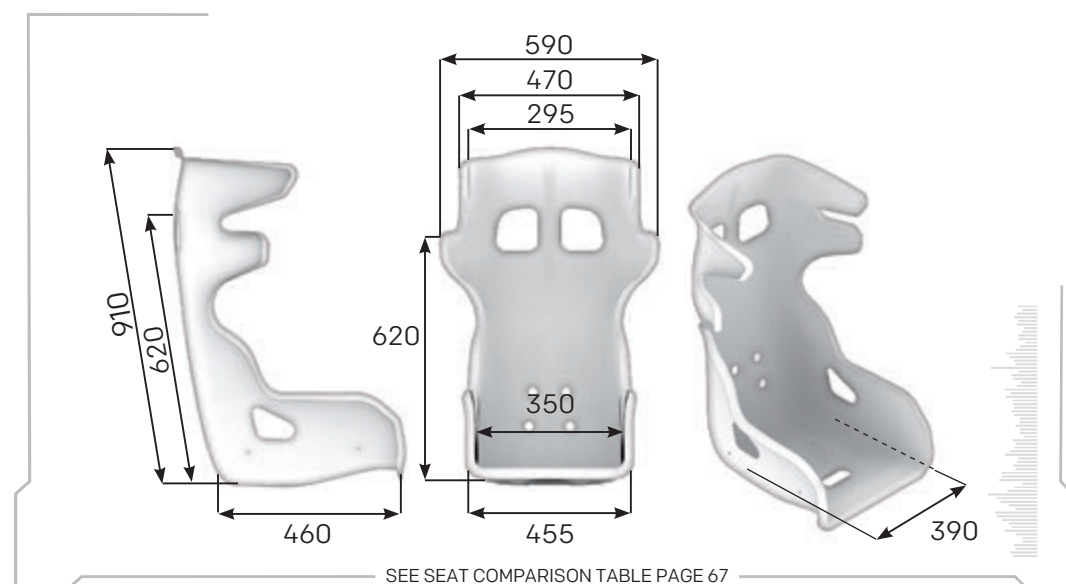
shoulders upholstered with anti-slip material



HSC PATENT COMPATIBLE

**AIRNET****VELOUR****HANS® COMPATIBLE FIBERGLASS SHELL**

✓	AIRNRT / VELOUR
5	HARNESS SLOTS
9.9	WEIGHT* (KG)
W	FIXING M8

**HTE-EVO CARBON**

HA0-0817-A01

**CARBON FIBER SEAT**

Same features as HA0-0818-A01, carbon fiber shell.

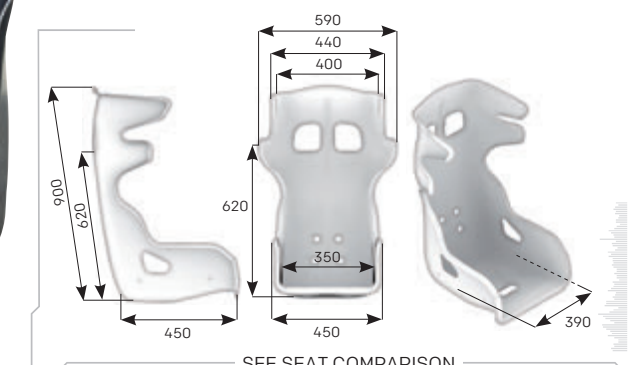
FIA 8855-1999

FIA APPROVED

MANUFACTURER: OMP  
 MODEL: HTE EVO CARBON  
 HOM. NO.: CS.455.20  
 FIA STANDARD: FIA 8855-1999

**HANS® COMPATIBLE CARBON FIBER SHELL**

✓	AIRNRT / VELOUR
5	HARNESS SLOTS
6.5	WEIGHT* (KG)
W	FIXING M8

**NEW****HTE-EVO OFFROAD**

HA0-0830-A01

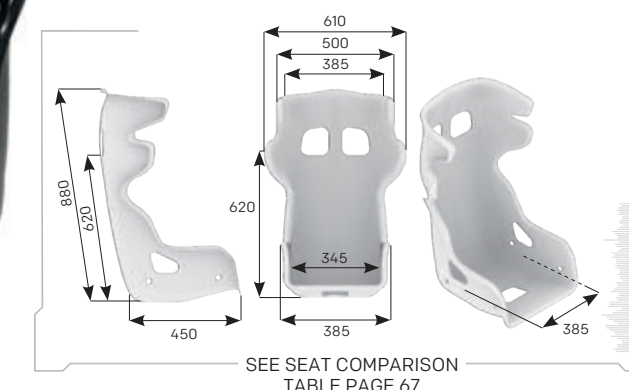
**FIBERGLAS SHELL**

Same features as HA0-0818-A01, The full gelcoat finishing and the quick removable neoprene padding allows to easily wash the seat from mud and dirt.

Not FIA homologated.

**HANS® COMPATIBLE CARBON FIBER SHELL**

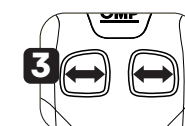
✓	REMOVABLE PADDING
5	HARNESS SLOTS
9.9	WEIGHT* (KG)
W	FIXING M12



base removable cushion



high protection



larger shoulder harness slots



# HRC-R CARBON

# HRC-R CARBON AIR

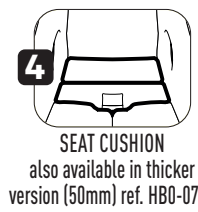
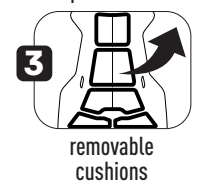
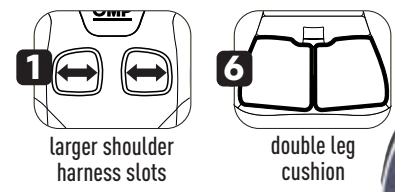
HA0-0788-A01

FIA 8855-1999



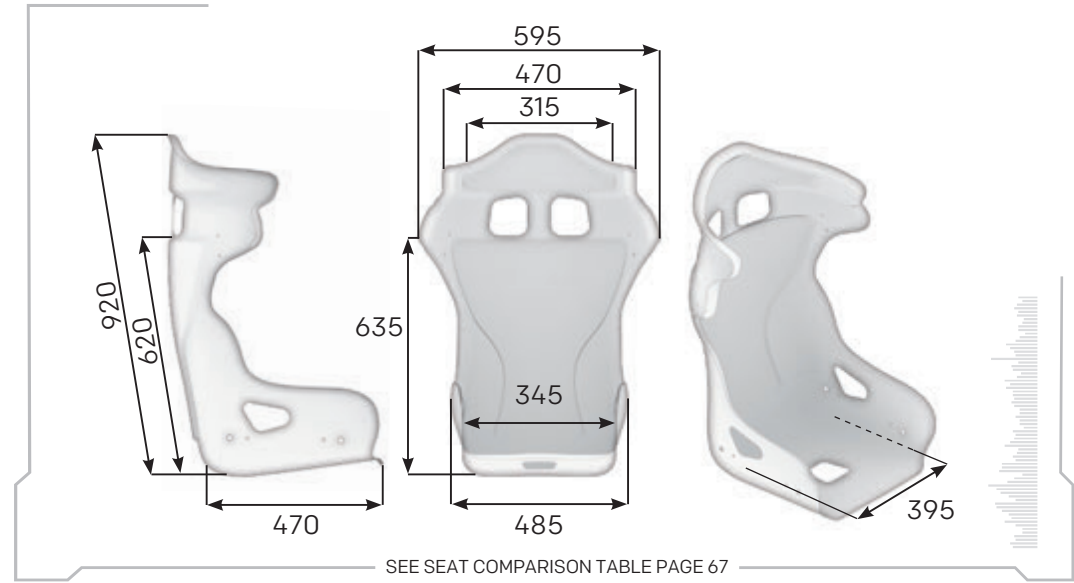
MANUFACTURER: OMP  
MODEL: HRC  
HOM. NO: CS.296.13  
FIA STANDARD: FIA 8855-1999

**PROFESSIONAL RACING SEAT**  
designed to allow installation and comfortable driving position also in GT cars with reduced internal room. Airnet and velour upholstery.



HANS® COMPATIBLE CARBON FIBER SHELL

✓	AIRNET / VELOUR
✓	CUSHIONS SPLIT LEG
5	HARNESS SLOTS
6.5	WEIGHT* (KG)
W	FIXING M8



HA0-0786-A01

FIA 8855-1999

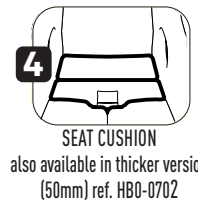
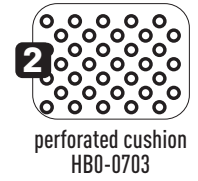
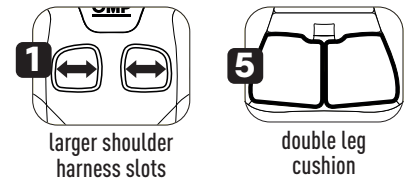


MANUFACTURER: OMP  
MODEL: HRC-R AIR  
HOM. NO: CS.293.13  
FIA STANDARD: FIA 8855-1999

**PREIMPREGNATED CARBON FIBER VERSION COMPLETE WITH AIR COOLING KIT (HCO-0913-A01) AND PREFORATED BACK CUSHION (HBO-0703)**

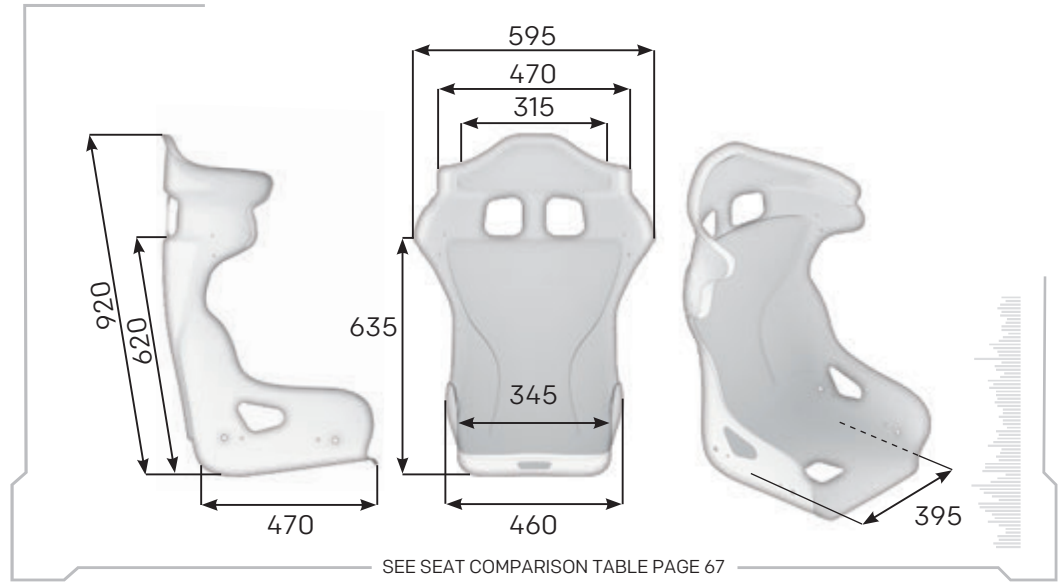
Designed to allow installation and comfortable driving position also in GT cars with reduced internal room. Upholstered in high breathability Airnet material. Fits in vehicles with compact cockpits.

The velvet side is thought for the application of containment cushion, which are available in 2 sizes (M or S) see on page 64 ref. HBO-0701



HANS® COMPATIBLE CARBON FIBER SHELL

✓	AIRNET / VELOUR
✓	CUSHIONS SPLIT LEG
5	HARNESS SLOTS
6.5	WEIGHT* (KG)
W	FIXING M8





## HRC-R

HA0-0793-A01

Same characteristics as HA0-0793-A01, gel coated fiberglass shell. (Air Cooling Kit excluded)

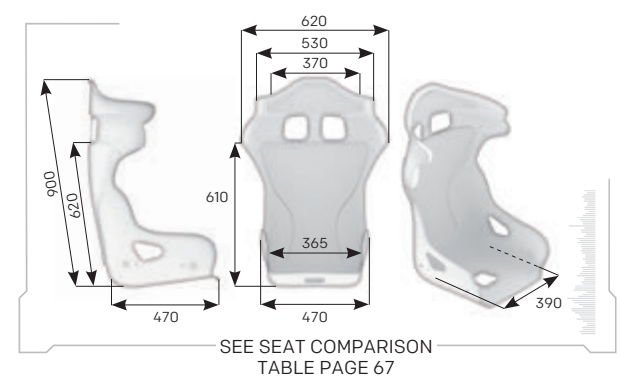


FIA 8855-1999  
**FIA APPROVED**  
 MANUFACTURER: OMP  
 MODEL: HRC-FIBERGLASS AIR  
 HOM. NO: CS.30714  
 FIA STANDARD: FIA 8855-1999



HANS® COMPATIBLE GEL COATED FIBERGLASS SHELL

✓	AIRNET / VELOUR
✓	CUSHIONS SPLIT LEG
5	HARNESS SLOTS
9.5	WEIGHT* (KG)
W	FIXING M8



## HRC-R XL

HA0-0794-A01

Same characteristics as HA0-0793-A01

**XL VERSION LARGER AND HIGHER**

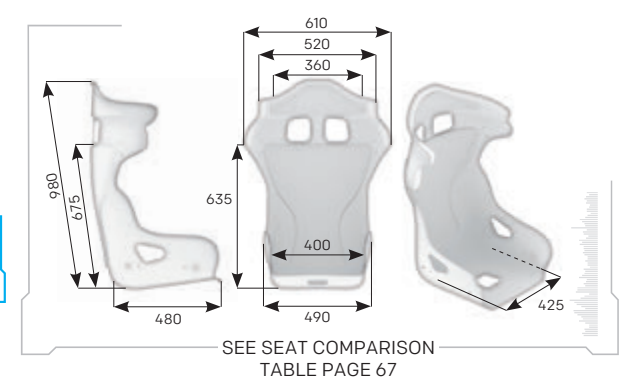


FIA 8855-1999  
**FIA APPROVED**  
 MANUFACTURER: OMP  
 MODEL: HRC-FIBERGLASS AIR XL  
 HOM. NO: CS.31314  
 FIA STANDARD: FIA 8855-1999



HANS® COMPATIBLE GEL COATED FIBERGLASS SHELL

✓	AIRNET / VELOUR
✓	CUSHIONS SPLIT LEG
5	HARNESS SLOTS
10.3	WEIGHT* (KG)
W	FIXING M8



Our proprietary sublimation technology "OMP Print Art" allows you to customize the HTE-R and WRC-R seats with any design, also including photos and color blendings. The exploded view above gives an example of the seats' areas where maximum creative freedom can be expressed.

Create your OMP Art seat right now on our website: [www.ompracing.com](http://www.ompracing.com)



DISPONIBLE / AVAILABLE  
 OMP  
**Art**  
 VERSION  
 Please see customizable models marked with this banner

**AIRNET** **VELOUR** **GEL COATED FIBERGLASS SHELL**



# HTE-R CARBON

HA0-0768-B01

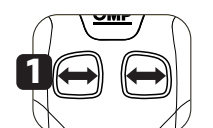
FIA 8855-1999



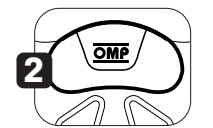
MANUFACTURER: OMP  
MODEL: HTE CARBON  
HOM. NO.: CS.146.05  
FIA STANDARD: FIA 8855-1999

**PROFESSIONAL RACING SEAT**  
Upholstering in high breathable Airnet material.

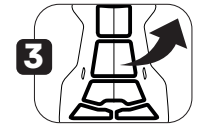
**CARBON FIBER SHELL VERSION**



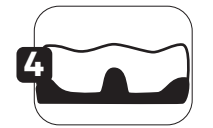
1 larger shoulder harness slots



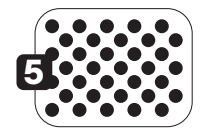
2 shaped safety head rest



3 removable cushions



4 shaped leg cushion



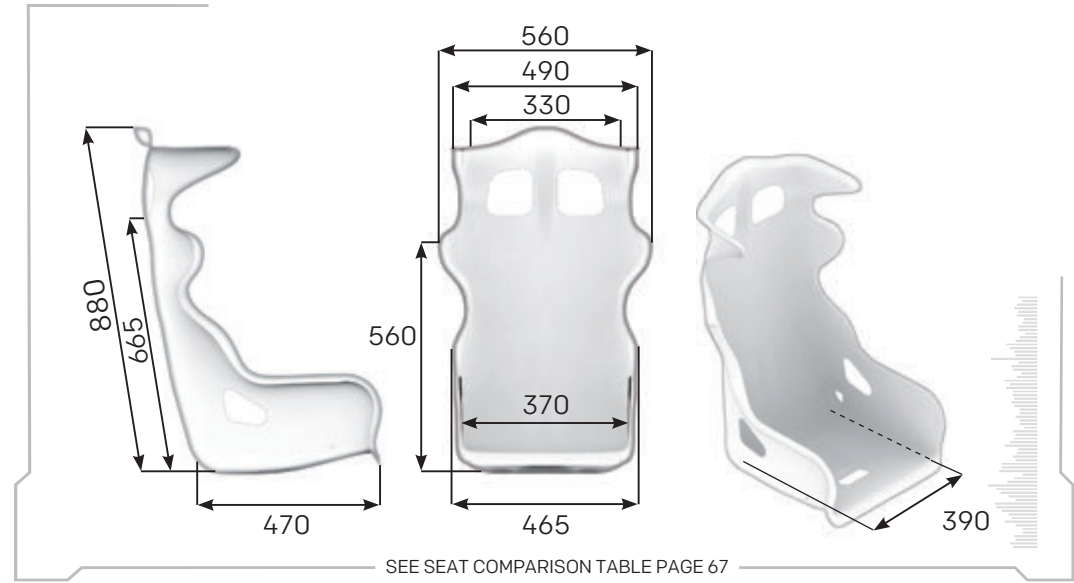
5 base and shoulders upholstered with anti-slip material



HSC PATENT COMPATIBLE

HANS® COMPATIBLE CARBON FIBER SHELL

✓	AIRNET / VELOUR
5	HARNESS SLOTS
6.6	WEIGHT* (KG)
W	FIXING M8



SEE SEAT COMPARISON TABLE PAGE 67

## HTE-R CARBON XL

HA0-0779-B01

Same characteristics as HA0-0768-B01.

**CARBON FIBER SHELLXL VERSION**

FIA 8855-1999



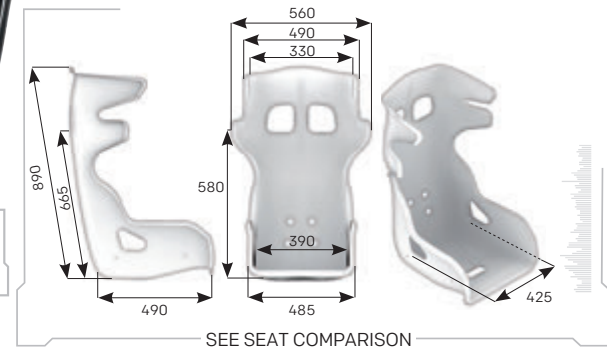
MANUFACTURER: OMP  
MODEL: HTE CARBON XL  
HOM. NO.: CS.182.06  
FIA STANDARD: FIA 8855-1999



HSC PATENT COMPATIBLE

HANS® COMPATIBLE CARBON FIBER SHELL

✓	AIRNET / VELOUR
5	HARNESS SLOTS
6.8	WEIGHT* (KG)
W	FIXING M8



SEE SEAT COMPARISON TABLE PAGE 67



**HTE-R CARBON SIZES COMPARISON**

XL SIZE LARGER AND HIGHER





# HTE-R

HA0-0772-B01

FIA 8855-1999

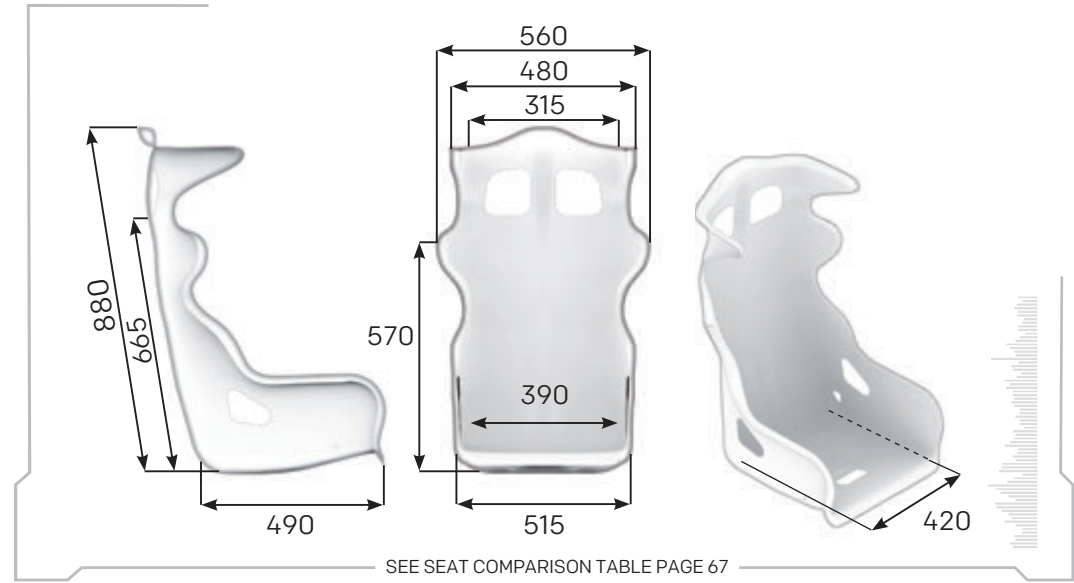


MANUFACTURER: OMP  
MODEL: HTE FIBERGLASS  
HOM. NO.: CS.184.06  
FIA STANDARD: FIA 8855-1999

PROFESSIONAL RACING SEAT  
Upholstering in high breathable Airnet material.



- 1** larger shoulder harness slots
- 2** shaped safety head rest
- 3** removable cushions
- 4** shaped leg cushion
- 5** base and shoulders upholstered with anti-slip material



€ 850,00 (C)



HANS® COMPATIBLE GEL COATED FIBERGLASS SHELL

✓	AIRNET / VELOUR
5	HARNESS SLOTS
9.9	WEIGHT* (KG)
W	FIXING M8

# HTE-R XL

HA0-0771-B01

Same characteristics as HA0-0772-B01.

XL VERSION  
LARGER AND HIGHER

FIA 8855-1999

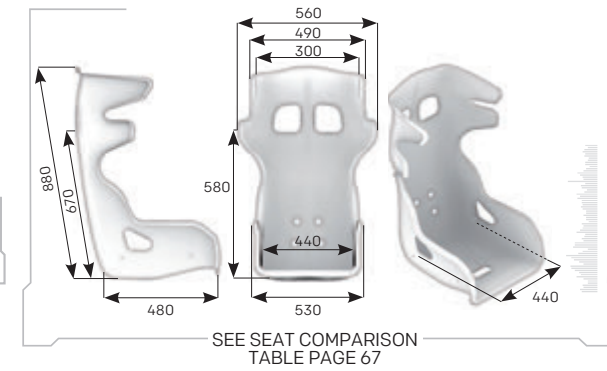


MANUFACTURER: OMP  
MODEL: HTE FIBERGLASS XL  
HOM. NO.: CS.230.09  
FIA STANDARD: FIA 8855-1999



HANS® COMPATIBLE GEL COATED FIBERGLASS SHELL

✓	AIRNET MATERIAL
5	HARNESS SLOTS
11.5	WEIGHT* (KG)
W	FIXING M8





HA0-0780-B01

FIA 8855-1999



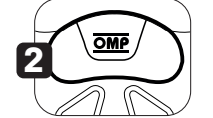
MANUFACTURER: OMP  
MODEL: HTE 400  
HOM. NO.: CS.263.12  
FIA STANDARD: FIA 8855-1999

**PROFESSIONAL RACING SEAT**  
Upholstering in high breathable Airnet material.

**SPECIAL VERSION FOR CARS WITH SMALL SPACE IN THE UPPER PART**



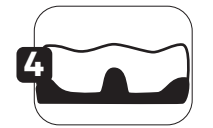
larger shoulder harness slots



shaped safety head rest



removable cushions



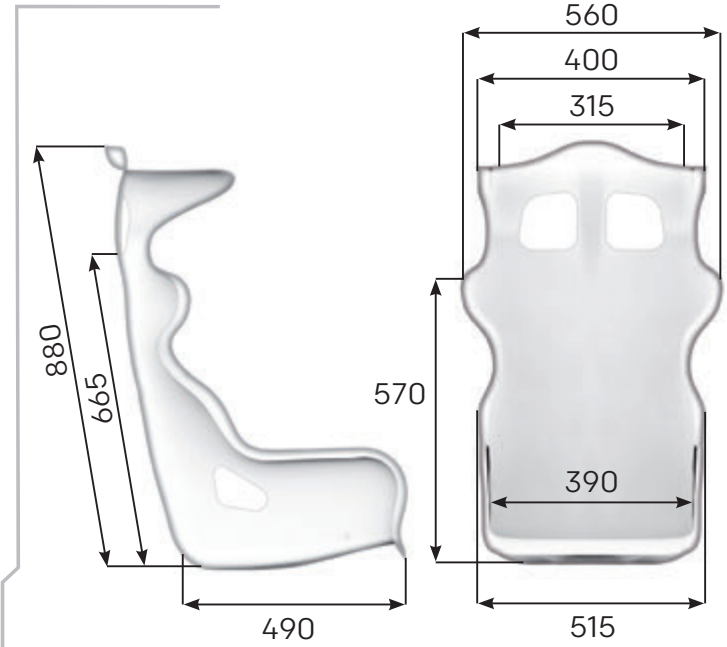
shaped leg cushion



base and shoulders upholstered with anti-slip material



SPECIAL VERSION FOR CARS WITH SMALL SPACE IN THE UPPER PART



HANS® COMPATIBLE GEL COATED FIBERGLASS SHELL

✓	AIRNET MATERIAL
5	HARNES SLOTS
9.8	WEIGHT* (KG)
W	FIXING M8

SEE SEAT COMPARISON TABLE PAGE 67





## HA0-0773-B01

FIA 8855-1999



MANUFACTURER: OMP  
MODEL: WRC FIBERGLASS  
HOM. NO: CS.183.06  
FIA STANDARD: FIA 8855-1999

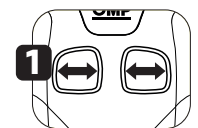
**PROFESSIONAL RACING SEAT**  
Upholstering in high breathable Airnet material.



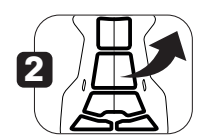
€ 810,00 (C)



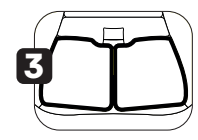
HSC PATENT COMPATIBLE



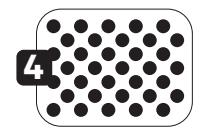
larger shoulder harness slots



removable cushions



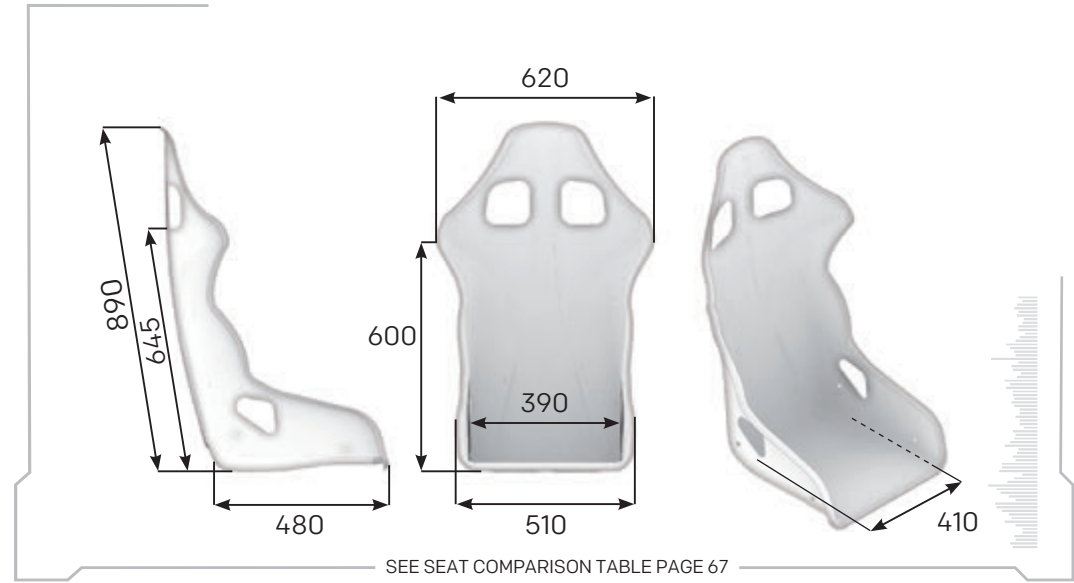
double leg cushion



shoulders and base upholstered with anti-slip material

HANS® COMPATIBLE GEL COATED FIBERGLASS SHELL

✓	AIRNET MATERIAL
5	HARNES SLOTS
8.9	WEIGHT* (KG)
W	FIXING M8



## WRC-R XL

### HA0-0778-B01

Same characteristics as HA0-0773-B01.

**XL VERSION LARGER AND HIGHER**

FIA 8855-1999



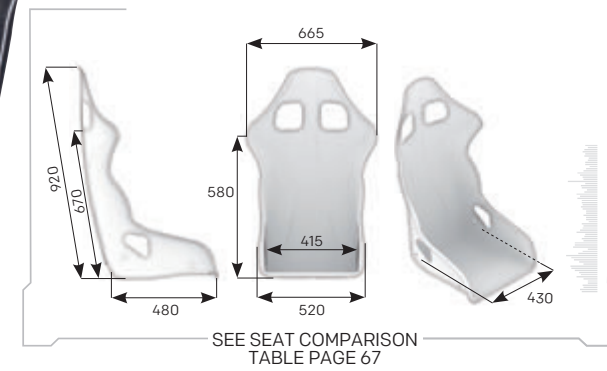
MANUFACTURER: OMP  
MODEL: WRC FIBERGLASS WRE  
HOM. NO: CS.025.01  
FIA STANDARD: FIA 8855-1999



HSC PATENT COMPATIBLE

HANS® COMPATIBLE GEL COATED FIBERGLASS SHELL

✓	AIRNET / VELOUR
5	HARNES SLOTS
10.9	WEIGHT* (KG)
W	FIXING M8



**WRC-R SIZES COMPARISON**

REGULAR SIZE

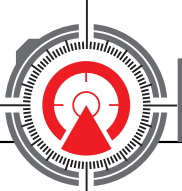
XL SIZE LARGER AND HIGHER



AIRNET

GEL COATED FIBERGLASS SHELL





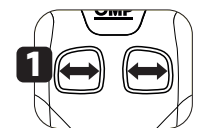
HA0-0774-B01

FIA 8855-1999



MANUFACTURER: OMP  
MODEL: ARS  
HOM. NO.: CS.924.98  
FIA STANDARD: FIA 8855-1999

**PROFESSIONAL RACING SEAT**  
Upholstering in high breathable Airnet material.



larger shoulder harness slots



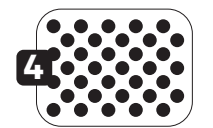
HSC PATENT COMPATIBLE



high protection



removable cushions



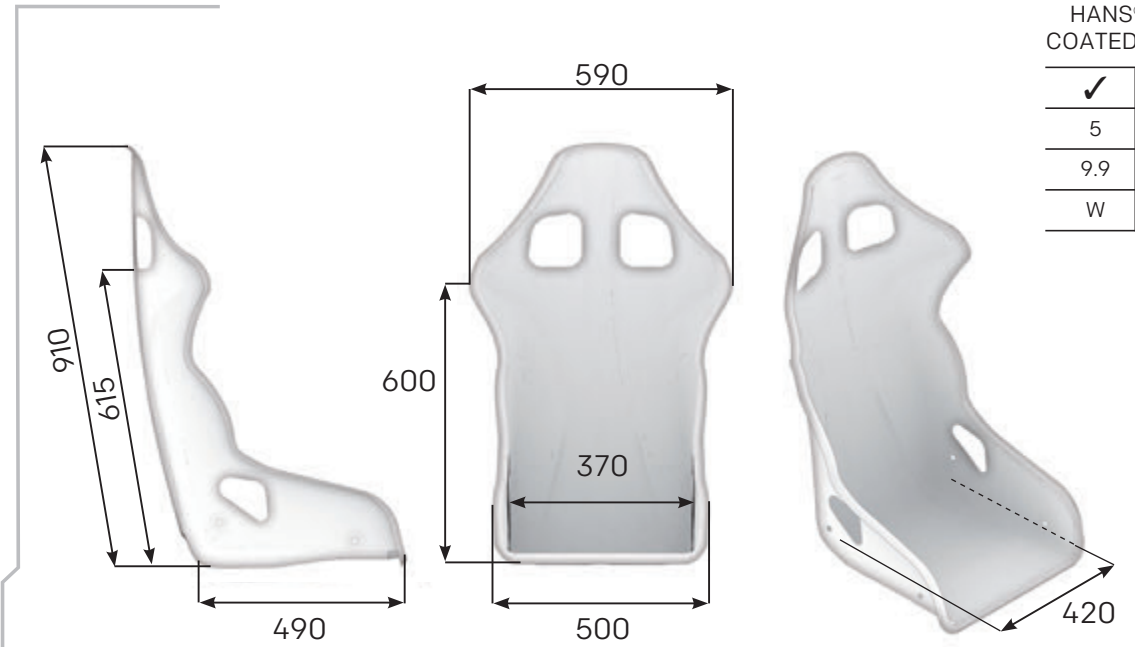
shoulders and base upholstered with anti-slip material



AIRNET



GEL COATED FIBERGLASS SHELL



HANS® COMPATIBLE GEL COATED FIBERGLASS SHELL

✓	AIRNET MATERIAL
5	HARNESS SLOTS
9.9	WEIGHT* (KG)
W	FIXING M8

SEE SEAT COMPARISON TABLE PAGE 67





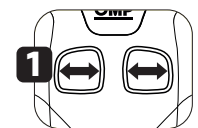
HA0-0762-B01

FIA 8855-1999

**FIA APPROVED**

MANUFACTURER: OMP  
MODEL: RS-PT  
HOM. NO.: CS.229.09  
FIA STANDARD: FIA 8855-1999

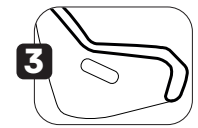
RACING SEAT  
Upholstering in velour.



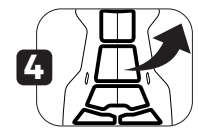
larger shoulder harness slots



shaped safety headrest

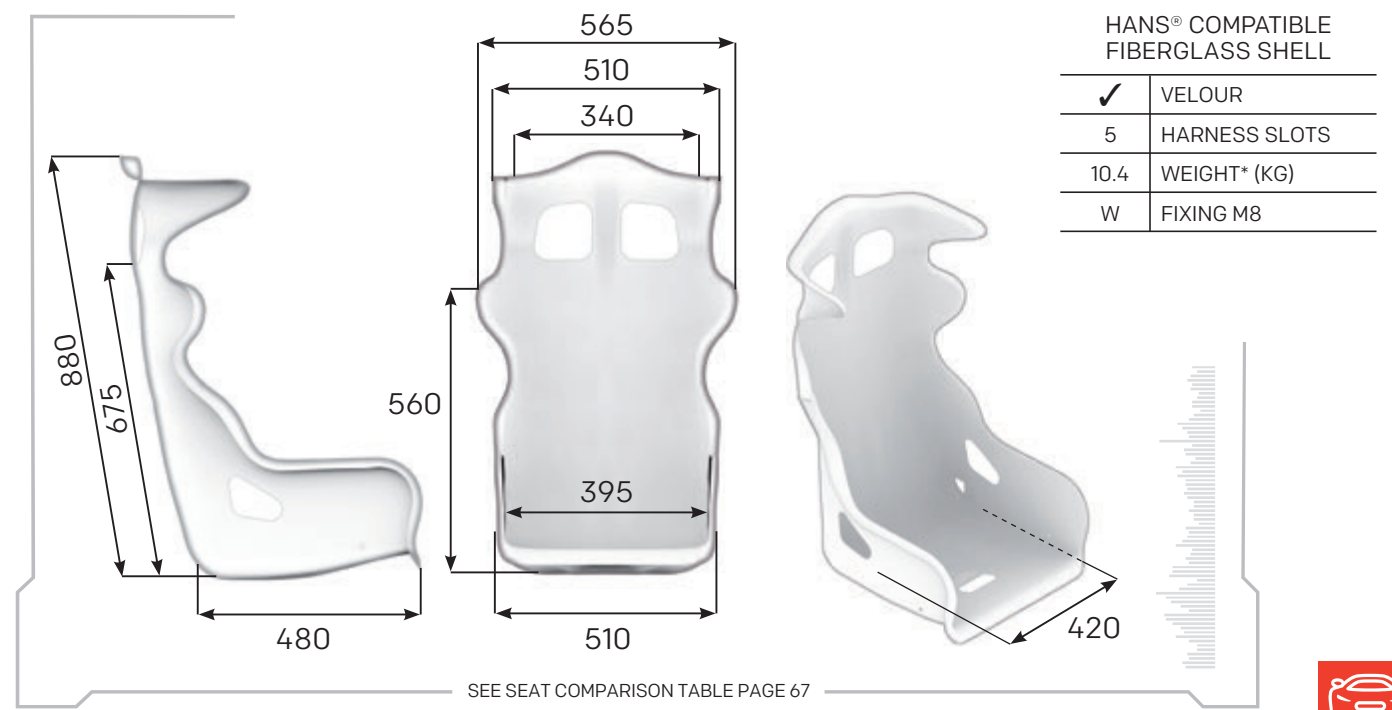


high side bolster



removable cushions

HSC PATENT COMPATIBLE

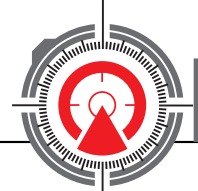


HANS® COMPATIBLE FIBERGLASS SHELL

✓	VELOUR
5	HARNES SLOTS
10.4	WEIGHT* (KG)
W	FIXING M8

SEE SEAT COMPARISON TABLE PAGE 67





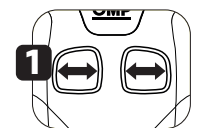
HA0-0766-B01

FIA 8855-1999



MANUFACTURER: OMP  
MODEL: CHAMP  
HOM. NO: CS.826.97  
FIA STANDARD: FIA 8855-1999

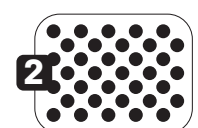
RACING SEAT  
Upholstering in velour.



larger shoulder harness slots



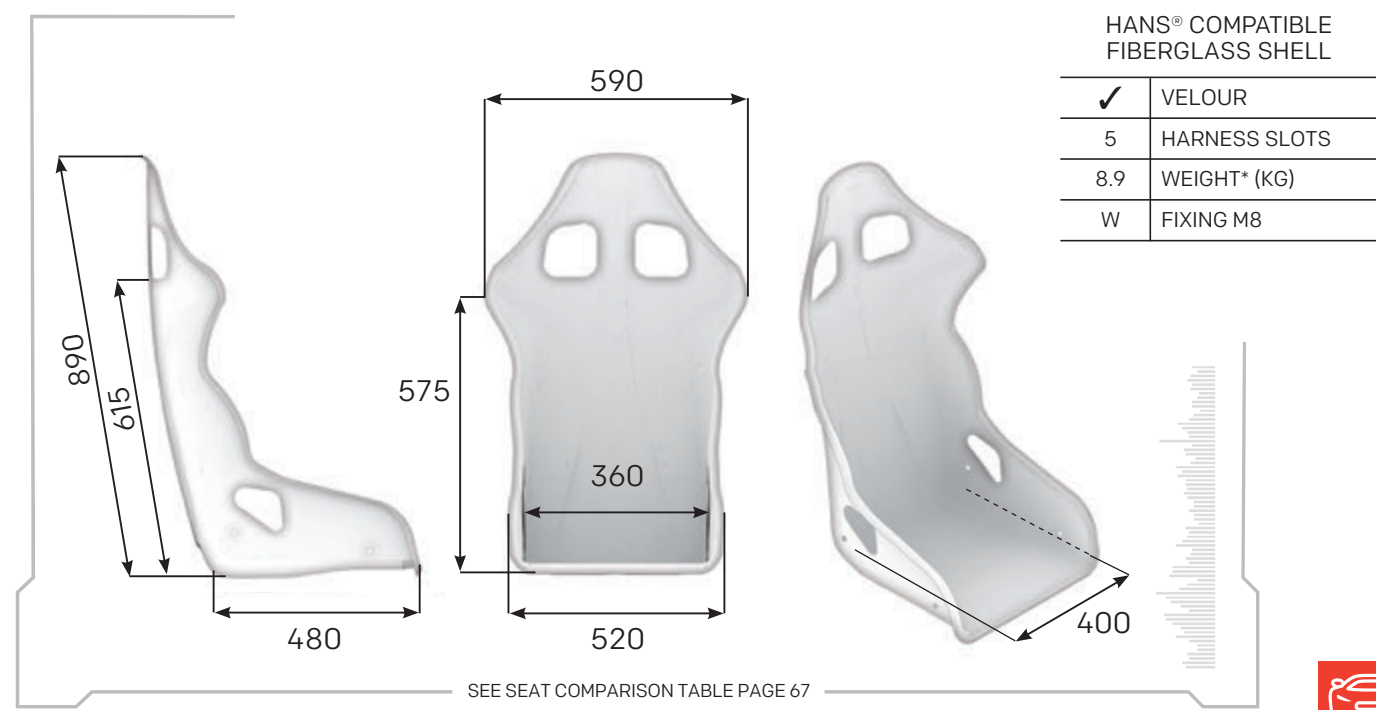
HSC PATENT COMPATIBLE



removable cushions



shaped leg cushion



HANS® COMPATIBLE FIBERGLASS SHELL

✓	VELOUR
5	HARNESSES SLOTS
8.9	WEIGHT* (KG)
W	FIXING M8

SEE SEAT COMPARISON TABLE PAGE 67







HA0-0790-A01

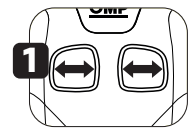
FIA 8855-1999



MANUFACTURER: OMP  
MODEL: FIRST-R  
HOM. NO.: CS.183.06  
FIA STANDARD: FIA 8855-1999

**ENTRY LEVEL SEAT**

Made of fiberglass shell, large shoulder harness slots to accommodate various heights. Entirely upholstered. Excellent quality/price ratio.



larger shoulder harness slots



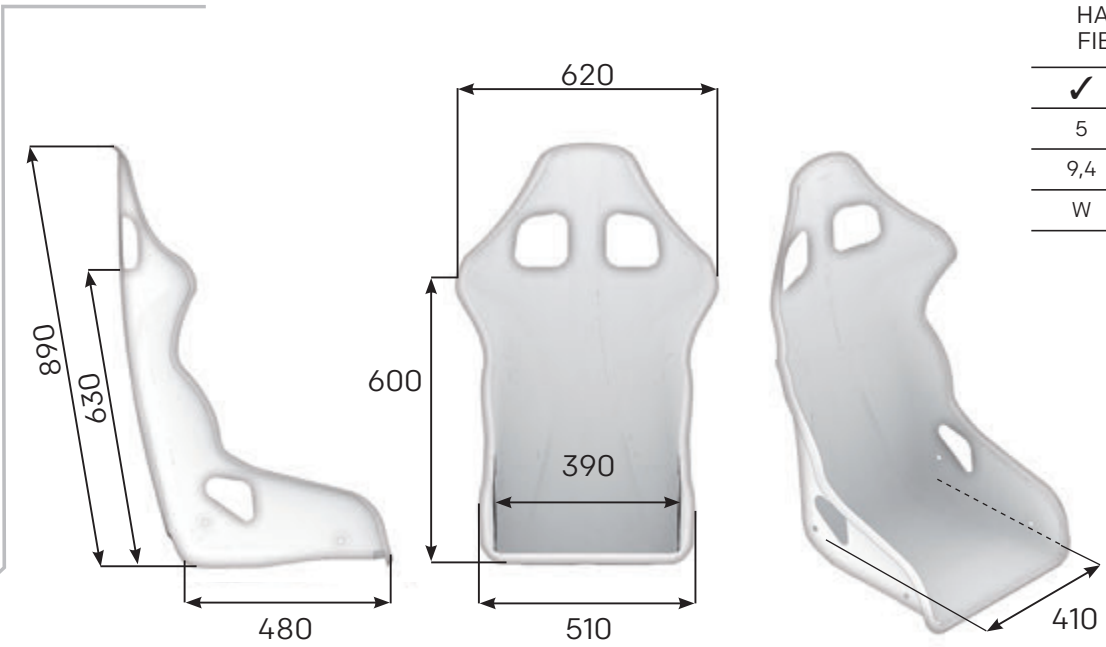
HSC PATENT COMPATIBLE



leg removable cushions



UPHOLSTERED ENTIRELY IN VELOUR



HANS® COMPATIBLE FIBERGLASS SHELL

✓	VELOUR
5	HARNES SLOTS
9,4	WEIGHT* (KG)
W	FIXING M8

SEE SEAT COMPARISON TABLE PAGE 67





HA0-0803-B01

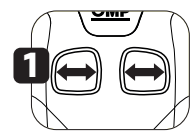
FIA 8855-1999



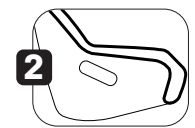
MANUFACTURER: OMP  
MODEL: TRS-X  
HOM. NO.: CS.410.18  
FIA STANDARD: FIA 8855-1999

**RACING SEAT**

Excellent quality/price ratio, large shoulder harness slots to accommodate various heights. Medium height side bolsters for lateral leg support and higher protection. Removable leg rests, upholstered entirely in velour. The optimized dimensions allows to mounting the seat also in cars with reduced inner room and the ergonomic is designed to guarantee the best individual seat comfort and an high lateral support. HANS® compatible. Exclusive design thanks to modern shape and highlighted details.



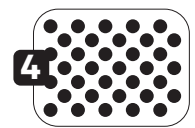
1 larger shoulder harness slots



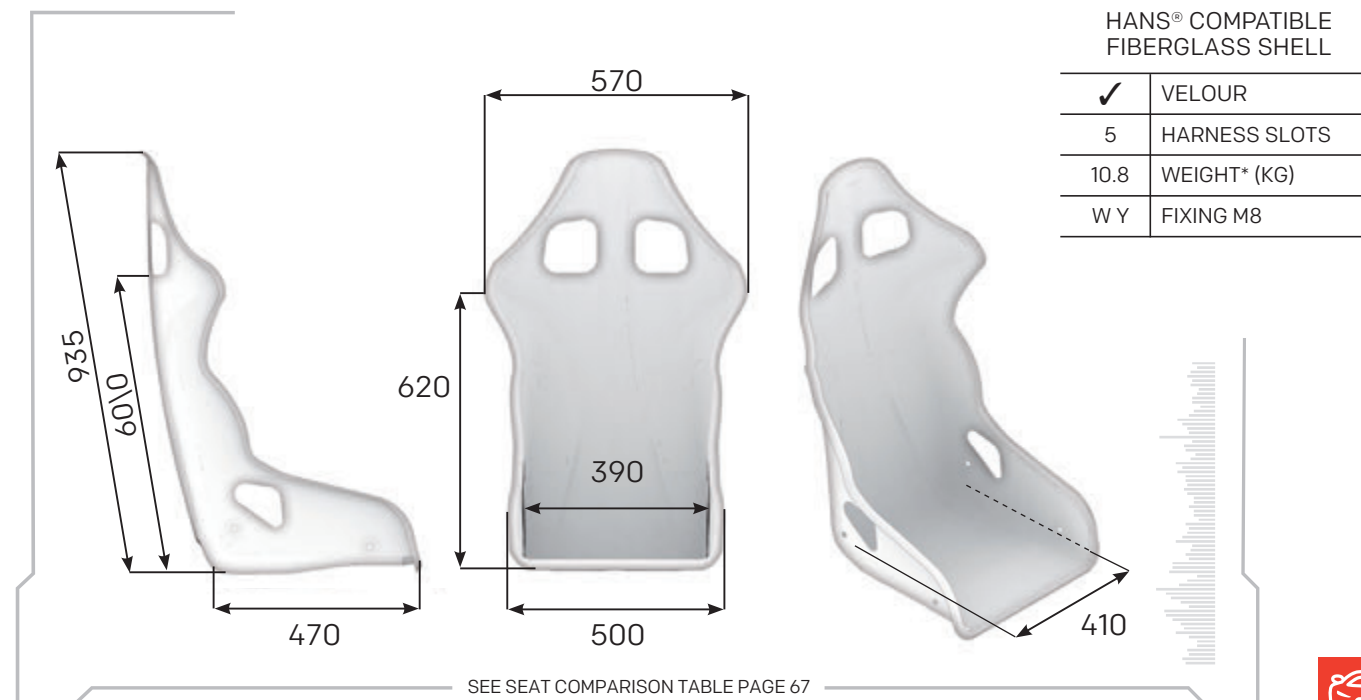
2 medium side bolster



3 removable leg cushions



4 anti-slip inserts on shoulders and hips





## HA0-0741-B01

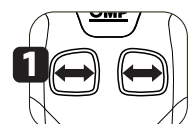
FIA 8855-1999

FIA APPROVED

MANUFACTURER: OMP  
MODEL: T-RS  
HOM. NO.: CS.243.10  
FIA STANDARD: FIA 8855-1999

### RACING SEAT

Entirely upholstered in jacquard velour.  
Excellent quality/price ratio.



larger shoulder  
harness slots



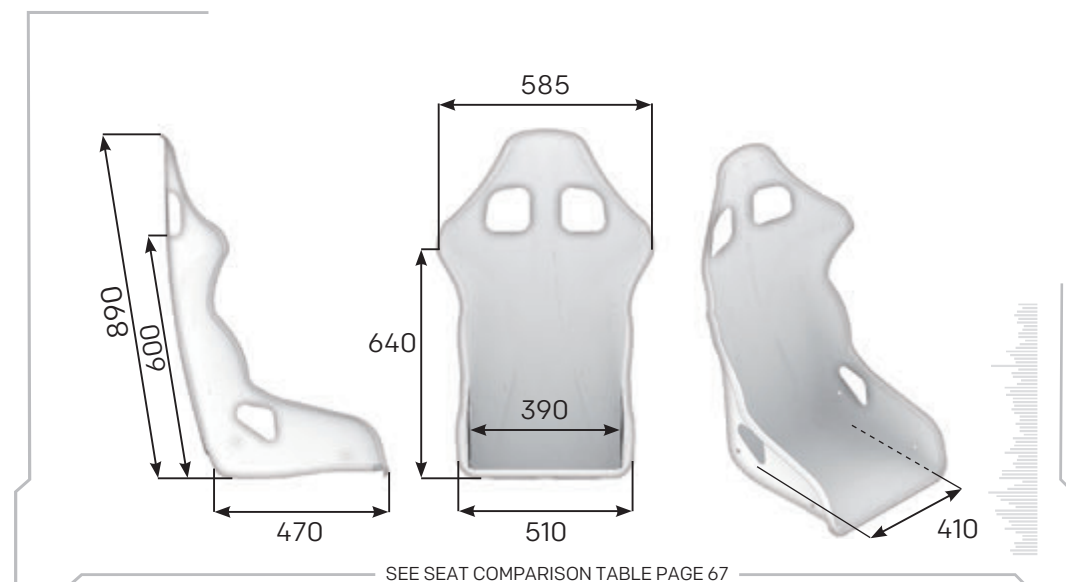
medium height  
side bolster



leg removable  
cushions



HSC PATENT  
COMPATIBLE



## HA0-0741-B01-041 blue



## HA0-0741-B01-061 red



## HA0-0741-B01-071 black

### HANS® COMPATIBLE TUBULAR STEEL FRAME

✓	VELOUR
5	HARNESS SLOTS
10.3	WEIGHT* (KG)
W	FIXING M8

## TRS-E SKY

### HA0-0760-B01

#### VINYL RACING SEAT

Entirely upholstering in decorated vinyl. Excellent quality/price ratio.

#### ONE COLOUR SKY VERSION

upholstered in black vinyl.

FIA 8855-1999

FIA APPROVED

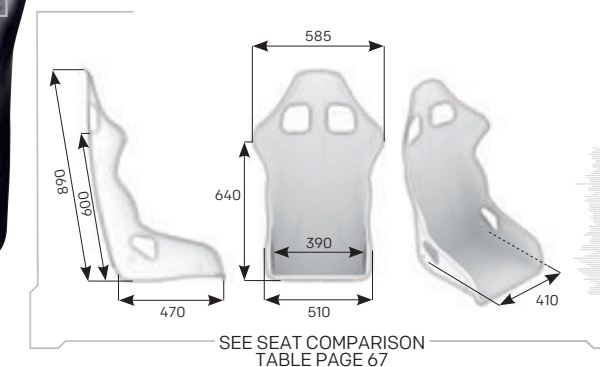
MANUFACTURER: OMP  
MODEL: T-RS  
HOM. NO.: CS.243.10  
FIA STANDARD: FIA 8855-1999



HSC PATENT  
COMPATIBLE

### HANS® COMPATIBLE FIBERGLASS SHELL

✓	VINYL
5	HARNESS SLOTS
10.8	WEIGHT* (KG)
W Y	FIXING M8



## TRS-E XL

### HA0-0781-B011

Same characteristics  
as HA0-0741-B01  
(only W side fixing  
points).

#### LARGE SIZE APPROVED

FIA 8855-1999

FIA APPROVED

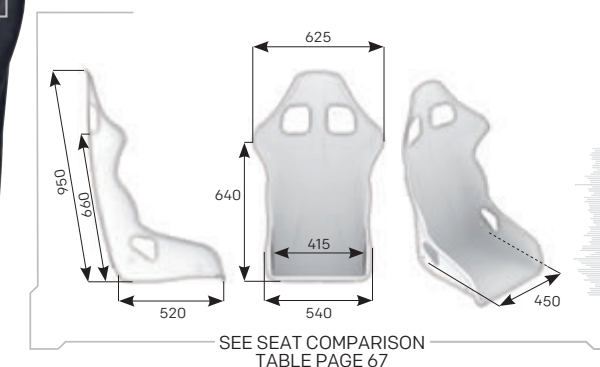
MANUFACTURER: OMP  
MODEL: TRS XL  
HOM. NO.: CS.271.12  
FIA STANDARD: FIA 8855-1999



HSC PATENT  
COMPATIBLE

### HANS® COMPATIBLE FIBERGLASS SHELL

✓	VINYL
5	HARNESS SLOTS
12.3	WEIGHT* (KG)
W Y	FIXING M8





NEW

RT

HA0-0832-A01

FIA 8855-1999

FIA APPROVED

MANUFACTURER: OMP  
 MODEL: CW00092  
 HOM. NO: CS.505.22  
 FIA STANDARD: FIA 8855-1999

Bucket racing seat in fiberglass FIA 8855-1999 homologated. The ergonomic shape and the removable soft padded inserts upholstered in fine material make the seat comfortable in every condition, from tuning to racing. Innovative shoulder harness slots design, wide leg cushion to improve driving comfort and lower side to facilitate the cockpit access.



new shoulder  
harness slots

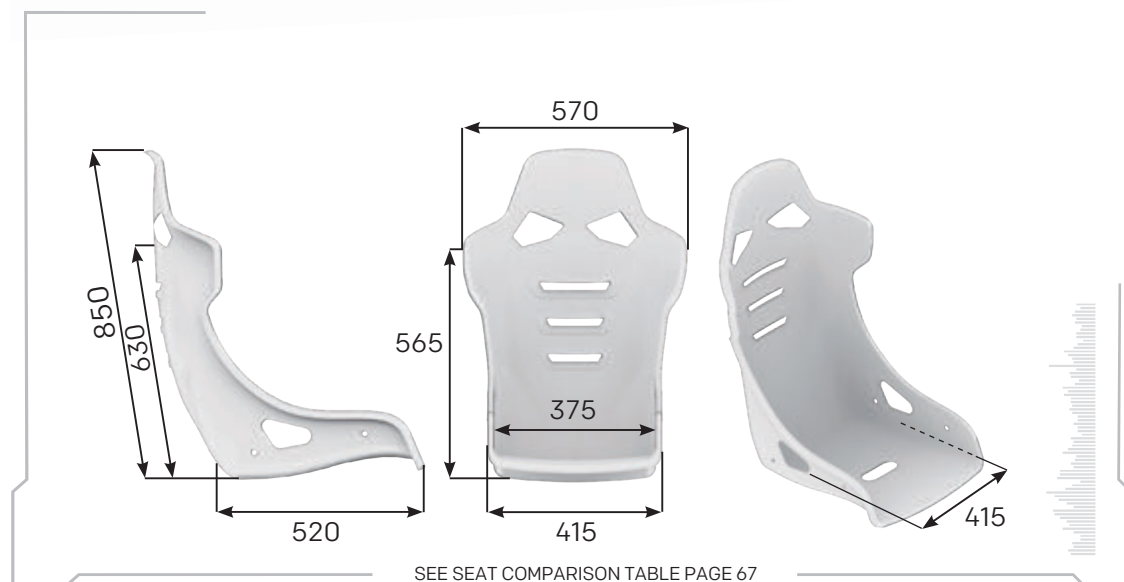


head, back, lateral  
and base removable  
cushion

ALCANTARA

GEL COATED  
FIBERGLASS SHELLHANS® COMPATIBLE  
FIBERGLASS SHELL

✓	ALCANTARA/LEATHER
5	HARNESS SLOTS
10	WEIGHT* (KG)
W	FIXING M8



NEW

RT - CARBON

HA0-0831-A01

FIA 8855-1999

FIA APPROVED

MANUFACTURER: OMP  
 MODEL: CW00093  
 HOM. NO: CS.505.22  
 FIA STANDARD: FIA 8855-1999

Bucket racing seat in carbon fiber FIA 8855-1999 homologated. The ergonomic shape and the removable soft padded inserts upholstered in fine material make the seat comfortable in every condition, from tuning to racing. Innovative shoulder harness slots design, wide leg cushion to improve driving comfort and lower side to facilitate the cockpit access.

HANS® COMPATIBLE  
FIBERGLASS SHELL

✓	ALCANTARA/LEATHER
5	HARNESS SLOTS
9.5	WEIGHT* (KG)
W	FIXING M8

LEATHER



CARBON FIBER SHELL



HA0-0831-A02

Same features as  
HA0-0831-A01.  
Upholstering in leather with  
Alcantara fabric padding.

FIA 8855-1999

FIA APPROVED

MANUFACTURER: OMP  
 MODEL: CW00093  
 HOM. NO: CS.505.22  
 FIA STANDARD: FIA 8855-1999

HANS® COMPATIBLE  
FIBERGLASS SHELL

✓	ALCANTARA
5	HARNESS SLOTS
9.5	WEIGHT* (KG)
W	FIXING M8

ALCANTARA



CARBON FIBER SHELL





# RACING SEAT TABLE

The following measurements are given as a guide. Actual measurements may vary to accommodate production.

Seat fitting type: according to FIA regulations the seat must be fixed to the brackets by means of at least four bolts M8 class 8.8. The diagram shows the distances between the fixing points in mm.

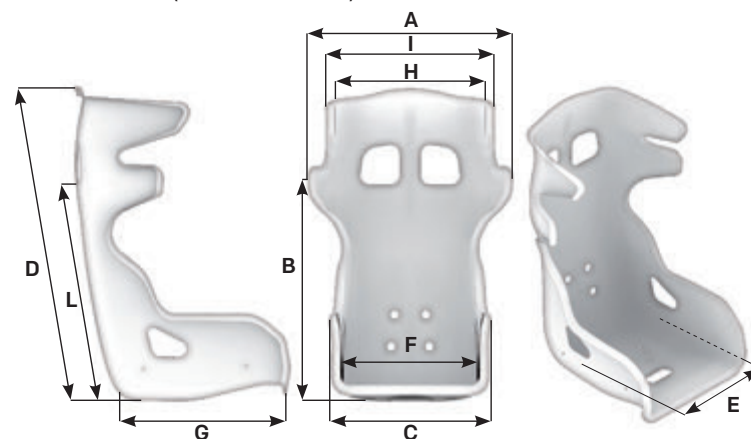
## LEGEND

- A** external max width at shoulders
- B** seat bottom to mid shoulders
- C** seat bottom max external width
- D** total height of seat back
- E** external max width at seat fixing inserts
- F** seat inner width (belt holes area)
- G** bottom length
- H** internal width between side head protections
- I** external width between side head protections
- L** height from the bottom to the harness slot
- W** = side fixing **Y** = bottom fixing

### \*note

For **FIA 8855-1999** seats, the weight refers to the complete seat (tolerance of 10%).

For **FIA 8862-2009 / FIA 8855-2021** seats, the weight refers to the shell (tolerance of 10%).



Bottom fixing points of the sliding guide.

**TYPE W:** inner side int. 289 mm **TYPE Y:** bottom 345x270 mm

## FIA 8862-2009 CARBON FIBER SHELL

				A	B	C	D	E	F	G	H	I	L	SLOTS	KG* FIXING
<b>HTE-ONE ULTRA LITE</b> HA0-0829-A01		3D FABRIC	SPLIT LEG CUSHIONS	590	610	445	880	395	360	490	350	475	610	5	5 W
<b>HTE-ONE LITE</b> HA0-0807-A01		3D FABRIC	SPLIT LEG CUSHIONS	590	610	445	880	395	360	490	350	475	610	5	8 W
<b>HTE-ONE E 2</b> HA0-0825		3D FABRIC	SPLIT LEG CUSHIONS	600	620	480	900	385	360	460	340	500	660	5	9.9 W
<b>HTE-ONE XL</b> HA0-0798-A01		3D FABRIC	SPLIT LEG CUSHIONS	660	670	480	990	395	350	480	300	500	740	5	10.1 W
<b>HRC-ONE LITE</b> HA0-0800-A01		3D FABRIC	SPLIT LEG CUSHIONS	595	610	440	880	395	360	490	350	500	615	5	6.8 W
<b>HRC-ONE</b> HA0-0789-A01		3D FABRIC	SPLIT LEG CUSHIONS	600	620	470	900	390	370	470	350	480	630	5	9.2 W
<b>HRC-ONE LITE RC</b> HA0-0805-A01		3D FABRIC	SPLIT LEG CUSHIONS	595	610	440	880	395	360	490	350	500	615	5	6.8 W
<b>HTC-ONE</b> HA0-0815-A01		3D FABRIC	SPLIT LEG CUSHIONS	595	620	500	910	465	390	460	320	475	640	5	9 W

## FIA 8855-2021 CARBON AND FIBERGLASS SHELL

				A	B	C	D	E	F	G	H	I	L	SLOTS	KG* FIXING
<b>HTC-EVO CARB</b> HA0-0900-A1		3D FABRIC	SHAPED LEG CUSHION	595	620	500	910	465	390	460	320	475	640	5	7.8 W
<b>HTC-EVO</b> HA0-0903-A01		3D FABRIC	SHAPED LEG CUSHION	595	620	500	910	465	390	460	320	475	640	5	12.5 W
<b>HTE-EVO 2 CARB</b> HA0-0902-A01		3D FABRIC	SHAPED LEG CUSHION	590	620	455	900	390	380	450	400	470	620	5	8.2 W
<b>HTE-EVO 2</b> HA0-0901-A01		3D FABRIC	SHAPED LEG CUSHION	590	620	470	900	390	400	450	400	440	620	5	12.6 W
<b>HTE-EVO 2 XL</b> HA0-0904-A01		3D FABRIC	SHAPED LEG CUSHION	630	690	515	985	425	395	500	355	470	680	5	W
<b>HTE-EVO 2 S</b> HA0-0905-A01		3D FABRIC	SHAPED LEG CUSHION	580	610	460	875	390	365	480	310	425	590	5	W

## FIA 8855-1999 CARBON FIBER SHELL

				A	B	C	D	E	F	G	H	I	L	SLOTS	KG* FIXING
<b>PROTOTIPO</b> HA0-0745-A01		VELOUR	SPLIT LEG CUSHIONS	530	520	440	790	385	380	480	360	450	570	5	6.1 W
<b>HTE-EVO CARB</b> HA0-0817-A01		AIRNET VELOUR	/	590	620	450	900	390	350	450	400	440	620	5	6.5 W
<b>HRC-R CARB AIR</b> HA0-0786-A01		AIRNET	SPLIT LEG CUSHIONS	595	635	460	920	395	345	470	315	470	620	5	6.5 W
<b>HRC-R CARB</b> HA0-0788-A01		AIRNET	SPLIT LEG CUSHIONS	595	635	460	920	395	345	470	315	470	620	5	6.5 W
<b>HTE-R CARB</b> HA0-0768-B01		AIRNET	SHAPED LEG CUSHION	560	560	465	880	390	370	470	330	490	665	5	6.6 W
<b>HTE-R CARB XL</b> HA0-0779-B01		AIRNET	SHAPED LEG CUSHION	560	580	485	890	425	390	490	330	490	665	5	6.8 W
<b>RT-CARB</b> HA0-0831-A01		ALCANTARA/LEATHER	/	570	565	415	850	415	375	520	/	/	630	5	9.5 w

## FIA 8855-1999 FIBERGLASS SHELL

				A	B	C	D	E	F	G	H	I	L	SLOTS	KG* FIXING
<b>HTE-EVO</b> HA0-0818-A01		AIRNET VELOUR	/	590	620	455	910	390	350	460	295	470	620	5	9.9 W
<b>HRC-R</b> HA0-0793-A01		AIRNET VELOUR	SPLIT LEG CUSHIONS	620	610	470	900	390	365	470	370	530	620	5	9.5 W
<b>HRC-R XL</b> HA0-0794-A01		AIRNET VELOUR	SPLIT LEG CUSHIONS	610	635	490	980	425	400	480	360	520	675	5	10.3 W
<b>HTE-R</b> HA0-0772-B01		AIRNET	SHAPED LEG CUSHION	560	570	515	880	420	390	490	315	480	665	5	9.9 W
<b>HTE-R XL</b> HA0-0771-B01		AIRNET	SHAPED LEG CUSHION	560	580	530	880	440	440	480	300	490	670	5	11.5 W
<b>HTE-R 400</b> HA0-0780-B01		AIRNET	SHAPED LEG CUSHION	560	570	515	880	420	390	490	315	400	665	5	9.8 W
<b>WRC-R</b> HA0-0773-B01		AIRNET	SPLIT LEG CUSHIONS	620	600	510	890	410	390	480	/	/	645	5	8.9 W
<b>WRC-R XL</b> HA0-0778-B01		AIRNET	SPLIT LEG CUSHIONS	665	580	520	920	430	415	480	/	/	670	5	10.9 W
<b>ARS-R</b> HA0-0774-B01		AIRNET	/	590	600	500	910	420	370	490	/	/	615	5	9.9 W
<b>RS-PT 2</b> HA0-0762-B01		VELOUR	/	565	560	510	880	420	395	480	340	510	675	5	10.4 W
<b>CHAMP-R</b> HA0-0766-B01		VELOUR	SHAPED LEG CUSHION	590	575	520	890	400	360	480	/	/	615	5	8.9 W
<b>FIRST-R</b> HA0-0790-A01		VELOUR	/	620	600	510	890	410	390	480	/	/	630	5	9.4 W
<b>RT</b> HA0-0832-A01		ALCANTARA/LEATHER	/	570	565	415	850	415	375	520	/	/	630	5	10 W

## FIA 8855-1999 TUBULAR STEEL FRAME

				A	B	C	D	E	F	G	H	I	L	SLOTS	KG* FIXING
<b>TRS-X</b> HA0-803-B01		VELOUR	/	570	620	500	935	410	390	470	/	/	600	5	10.8 WY
<b>TRS-E</b> HA0-0741-B01		VELOUR	/	585	640	510	890	410	390	470	/	/	600	5	10.3 WY
<b>TRS-E SKY</b> HA0-0760-B01		VINYL	/	585	640	510	890	410	390	470	/	/	600	5	10.8 WY
<b>TRS-E XL</b> HA0-0781-B01		VELOUR	/	625	640	540	950	450	415	520	/	/	660	5	12.3 W



# AIR COOLING KIT

## HC0-0913-A01 HC/913

The kit includes:

- a shell to be mounted on the the back of the seat with included shaped bihadesive tape (HC/913/G)
  - a connection hose (1,5" x 2mt) with inner metal spiral (HC/913/T) that can be fixed to the shell and to the blower HC/914 or to others air sources (inner intake of the car)
  - a connection junction in rubber (HC/913/R)
  - 45° connection junction in rubber (HC/913/R45)
- All components are sold also separately as spare parts.



### COOLING COMFORT

Air cooling kit to be mounted on predrilled seat shell (all OMP "Air" seats).

This system gives a new level of cooling comfort to the drivers specially during long races in very hot condition.

**AIR COOLING KIT**  
to be mounted on predrilled seat shell HC/913

## BACK CUSHION HBO-0703

Predrilled back cushion to allow the best cooling effect of OMP air cooling system HC/913. Airnet material.

2 SIZES:

- M for HRC Fiberglass (HA/793)
- XL for HRC Fiberglass XL (HA/794)



## AIR BLOWER HC0-0914-A01

for Air Cooling Kit HC/913



**AIR SHELL DIFFUSER  
HC0-0913-A02**



**HOSE  
HC0-0913-A05**  
1,5" flexible hose

**CONNECTION  
HC0-0913-A04**

**CONNECTION  
HC0-0913-A03**

# RACING SEAT ACCESSORIES

## SPARE COLORED HARNESS SHOULDER KIT

HC0-0930

Kit of spare harness slots adaptable on most of OMP racing seat. Several colors available: black like the original ones, white, red, fluo green, fluo orange, fluo yellow.



## LATERAL PAIR CUSHIONS

HBO-0701

For HRC seats. Sizes: S, M  
Velour material.



## LEG CUSHIONS

HBO-0698

Shaped leg support cushions. Airnet material.



## LEG CUSHIONS

HBO-0700

2 pieces flat leg support cushions. Airnet material.



## SEAT CUSHIONS

HBO-0702

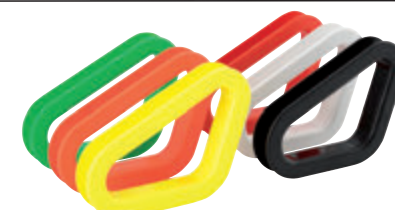
Thicker seat cushions for HRC seat. Antislip velvet.



## SPARE COLORED HARNESS LATERAL KIT

HC0-0931

Kit of spare harness slots adaptable on most of OMP racing seat. Several colors available: black like the original ones, white, red, fluo green, fluo orange, fluo yellow.



## SEAT CUSHIONS

HBO-0692

A Back support cushion, small  
Dimensions: 240x110mm

HBO-0662

B Lumbar support cushion, medium  
Dimensions: 300x175mm

HBO-0695

C Seat cushion  
Dimensions: 330x260mm

HBO-0693

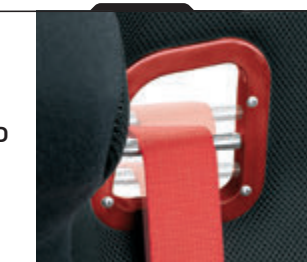
D Leg support cushion  
Dimensions: 330x220mm



## HSC PATENT

HC0-0893

Adjustable aluminium cover for 3 safety belt's positions setting. **PATENTED**



## HEAD CUSHION

HBO-0699

Velour material.





# CLASSIC

## '70S REVIVAL VINTAGE SEAT

Upholstered in faux leather and velvet.

TUBULAR STEEL FRAME  
M8 LOWER FIXING  
POINTS 345X270 MM Y

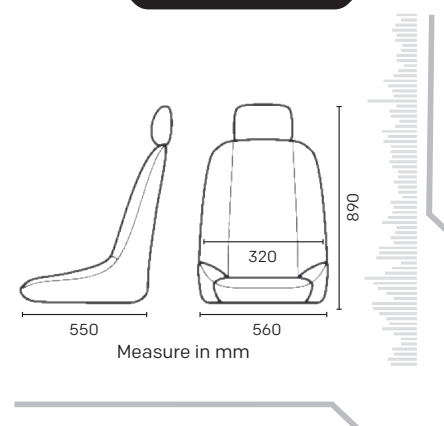
**1**  
adjustable  
velvet headrest

**2**  
raised backrest  
and velvet seat

**3**  
faux leather  
sides



### HA0-0737-B01



# BRAND SHATCH

## VINTAGE '60S STYLE SEAT

Upholstered in faux leather and velvet.

TUBULAR STEEL FRAME  
M8 LOWER FIXING  
POINTS 345X270 MM Y

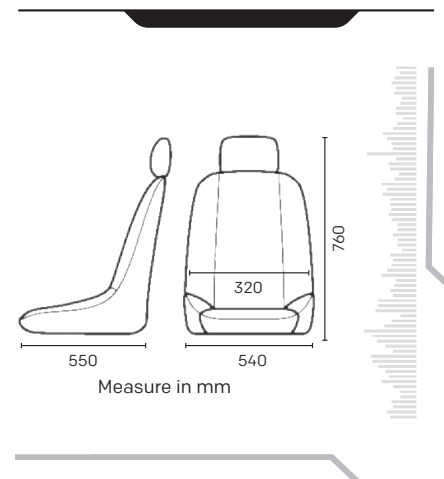
**1**  
adjustable  
velvet headrest

**2**  
raised backrest  
and velvet seat

**3**  
faux leather  
sides



### HA0-0757-A01



# SILVERSTONE

## VINTAGE SEAT SPECIFIC FOR OPEN CARS

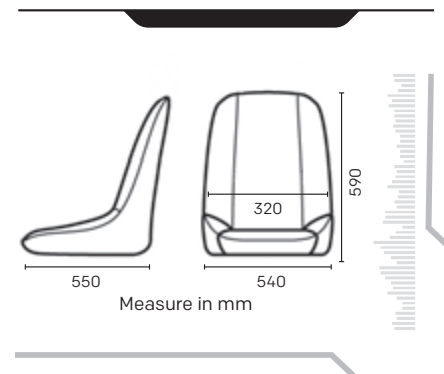
Upholstered in faux leather. Back with horizontal quilting.

TUBULAR STEEL FRAME  
M8 LOWER FIXING  
POINTS 345X270 MM Y

**1**  
faux leather  
seat



### HA0-0756-A01



# SPECIFIC BRACKETS

FIA 8862-2009

FIA 8855-2021

OMP can design, produce and homologate custom brackets upon request for any seat according to customer needs. Brackets can be developed for any FIA standard (Technical list. 40 and 91 and Art. 253).

## SEAT BRACKETS FOR HTE ONE LITE

HCO-0934

FIA 8862-2009

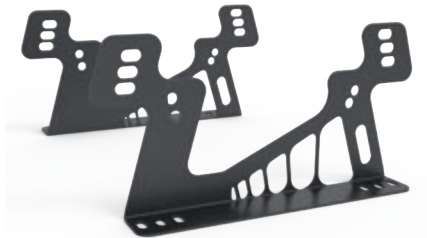


## RALLY SEAT BRACKETS FOR HTE ONE E

HCO-0940

FIA 8862-2009

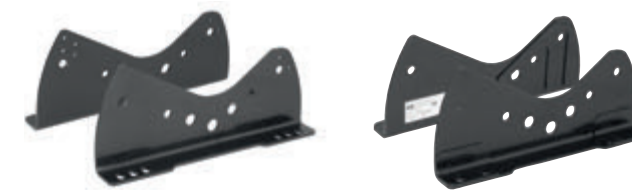
UPON REQUEST



## SEAT BRACKETS

HCO-0880-A01 for HTE ONE  
HCO-0880-A02 for HTE ONE S  
FIA 8862-2009

HCO-0928 for HTE ONE XL  
FIA 8862-2009



## SEAT BRACKETS FOR HTC ONE - HTE ONE 2

HCO-0935-A01 for HTC ONE  
HCO-0935-A02 for HTE ONE E 2

FIA 8862-2009



## SEAT BRACKETS FIA 8862-2009

HCO-0907 for HRC ONE (AS.033.14)

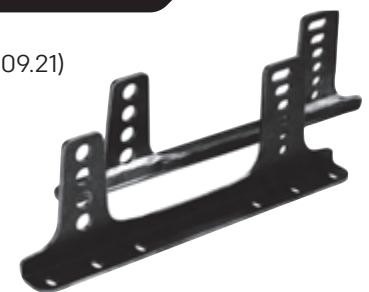
HCO-0929-A01 for HRC ONE LITE (AS.075.19)

HCO-0929-A02 for HRC ONE LITE RC (AS.083.19)



## SEAT BRACKETS FIA 8855-2021

HCO-0945  
for HTC-EVO CARBON (S.009.21)



## SEAT BRACKETS FIA 8855-2021

HCO-0951-A04 for HTE EVO 2 XL  
HCO-0951-A05 for HTE EVO 2 S  
HCO-0951-A01 for HTE EVO 2 CARBON (CS.016.23)  
HCO-0951-A02 for HTE EVO (CS.017.23)  
HCO-0951-A03 for HTC EVO (CS.015.23)



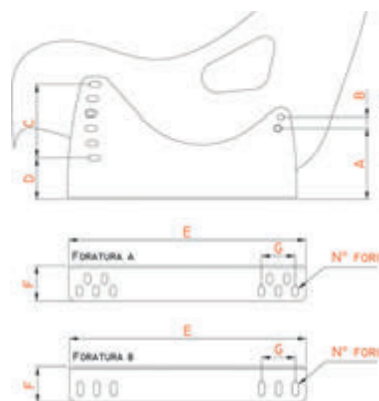


# UNIVERSAL BRACKETS

## SIDE MOUNT BRACKET DIMENSIONS

The dimensions are in mm.

STAFFA	Lowest rear mounting hole "A"	Rear range "B"	Front range "C"	Lowest front mounting hole "D"	Type of bolt pattern	Length of mounting plate "E"	Width of mounting plate "F"	Longitudinal range "G"	Number of holes
HCO-0731-B01	110	34,5	93	70,5	B	350	45	75	4
HCO-0733-B01	109	17	94	70,5	A	350	52	25	3
HCO-0830	77	66	66	77	B	495	48,5	126	6
HCO-0830-B02	112	51	108	73,5	A	422,5	59	112,5	10
HCO-0922	85	81	81	85	B	400	52	75	4
HCO-0923	75,5	100	100	75,5	B	495	50	125	6
HCO-0924	85	81	81	85	B	400	52	75	4
HCO-0925	75,5	100	100	75,5	B	495	50	125	6



## STEEL BRACKET

HCO-0922

FIA APPENDIX J ART. 253

Tall model. Steel.  
Length: 400 mm  
Thickness: 3 mm  
Ultra strong material.



## STEEL BRACKET

HCO-0731-B01

FIA APPENDIX J ART. 253

Tall model. Steel.  
Length: 350 mm  
Thickness: 3 mm  
Ultra strong material.



## STEEL BRACKET

HCO-0733-B01

FIA APPENDIX J ART. 253

Low model. Steel.  
Length: 350 mm  
Thickness: 3 mm  
Ultra strong material.



## STEEL BRACKET

HCO-0923

FIA APPENDIX J ART. 253

Tall model. Steel.  
Length: 495 mm  
Thickness: 3 mm  
Ultra strong material.



## ALUMINIUM BRACKET

HCO-0924

FIA APPENDIX J ART. 253

Tall model. Aluminium.  
Length: 400 mm  
Thickness: 6 mm  
Ultra strong material.

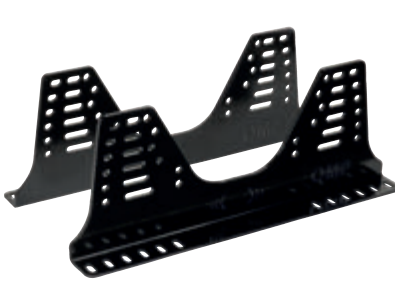


## STEEL BRACKET

HCO-0925

FIA APPENDIX J ART. 253

Tall model. Aluminium.  
Length: 495 mm  
Thickness: 6 mm  
Ultra strong material.



## STEEL BRACKET

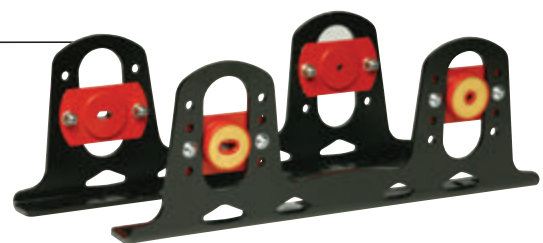
HCO-0830

FIA APPENDIX J ART. 253

Tall model equipped with a damper. Aluminium.  
Patented model. Length: 495 mm Thickness: 6 mm

### DAMPING ELEMENT

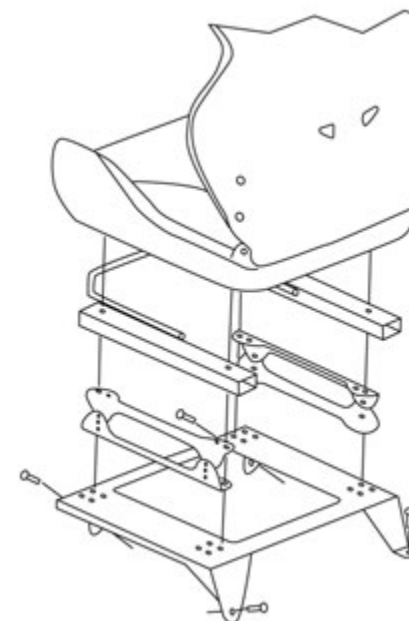
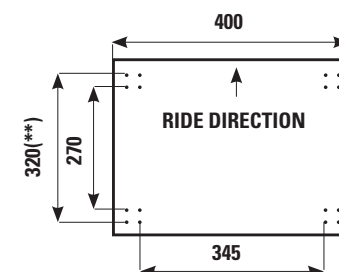
to reduce vertical loads on the driver.  
Suitable for off-road.



# SEATS MOUNTING EXAMPLES

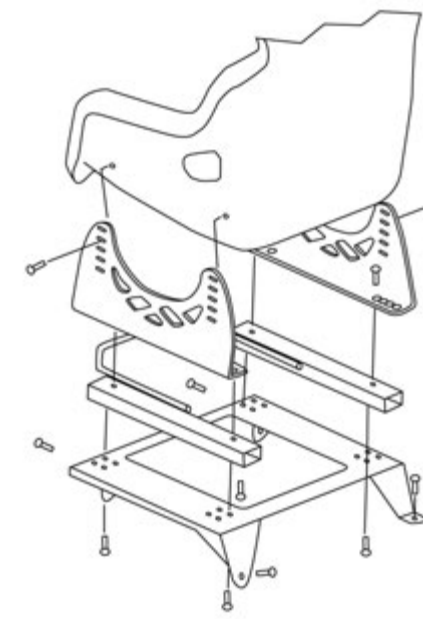
Seat with lower attachments points

- 1 Sliding brackets (HC/665)
- 2 Optional seat bracket spacer (HC/857 or HC/858)
- 3 Seat mounting bracket (vehicle specific)



Seat with side attachments points

- 1 Side mounting brackets (Racing)
- 2 Sliding brackets (HC/665)
- 3 Seat mounting bracket (vehicle specific)





# BRACKETS AND ADAPTORS FOR LOWER FIXING HOLES

## STEEL BRACKET

HCO-0665

Sliding rail kit to be mounted between the brackets and the seat. Steel. Not FIA approved.



## STEEL BRACKET

HCO-0660

Pair of "L" shaped brackets to fit seats with lower attachment points (type Y) to side brackets. Steel. Thickness: 3 mm



## UNIVERSAL SEAT SUBFRAME

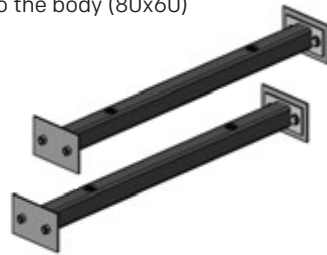
HDO-0879

Weld-in universal seat subframe to be adapted to the shell of the vehicle. Two 35 mm squared pipes. Length: 600 mm

4 plates for direct welding to the body (80x60) thickness 3 mm).

4 plates for direct welding to the tube (60x40) thickness 3 mm)

4 buckles for welding M8.



## ALUMINIUM UNIVERSAL BRACKET

HDO-0666

Universal couple of brackets for seat with lower attachments. Aluminium. Not FIA approved.



## SEAT BRACKET SPACER

HCO-0858

Seat bracket spacer to consent seat adjustment. Height: + 50 mm, + 62 mm and + 75 mm respect to the vehicle specific adaptor. Inclination: 2.5° or 5° seat angle adjustments.

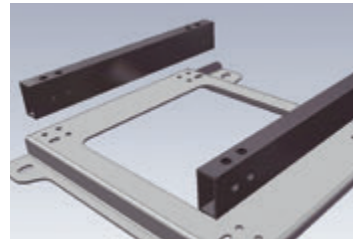


## SEAT BRACKET SPACER

HCO-0857

Seat bracket spacer allows the seat height to be adjusted, depending on which side is used for mounting. Not FIA homologated.

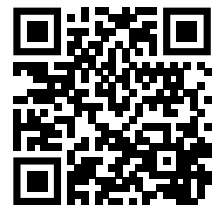
Height: + 25 mm or + 50 mm above the vehicle specific adaptor.



## ADAPTORS FOR SEAT FIXING BRACKETS

HDO-.....

SEE THE APPLICATION LIST ON:




Sample image

Search Complete Application List, for the complete list of available items also on [www.ompracing.com](http://www.ompracing.com)







The consolidated experience in racing world and the increasing collaboration with the most important drivers and teams leads to a wide range of safety harnesses suitable to meet the needs of all drivers for any type of cars.

#### ONE-D

The F1 World Championship winning safety harnesses: ultralightweight buckle and forged aluminium adjusters joined with comfortable and ultralightweight straps in Dyneema®, the world's strongest fiber™

#### ONE

Lightweight buckle, forged aluminium adjusters and polyester fabric straps guarantees high comfort and performance.

#### TECNICA

Lightweight buckle, adjusters in steel and aluminium, polyester fabric straps. Good choice to get great performance at reasonable price.

#### FIRST

Professional buckle and high quality steel adjusters, straps in polyester fabric. Best money-saving range of product without sacrificing quality and comfort.

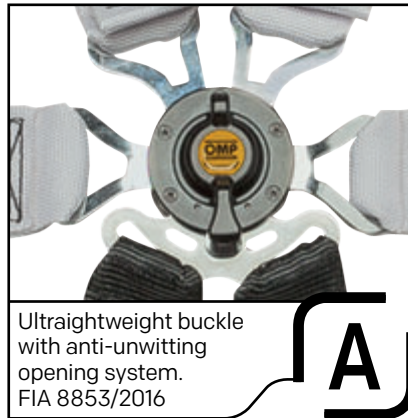
## SAFETY HARNESSSES



# COAMPETITION HARNESS TECHNICAL FEATURES

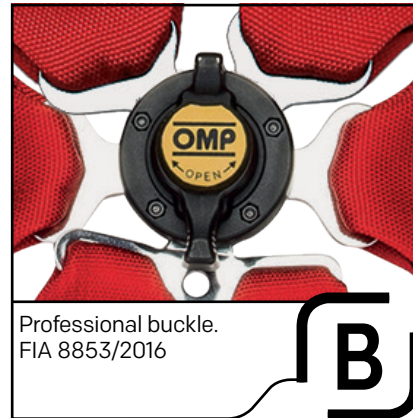
# COAMPETITION HARNESS TECHNICAL FEATURES

All safety harnesses can be customized upon request according to the customer needs



Ultra lightweight buckle with anti-unwitting opening system. FIA 8853/2016

**A**



Professional buckle. FIA 8853/2016

**B**



Professional ultra lightweight quick release adjuster made of high strength forged aluminum, designed to minimize the weight and slipping of the webbing, ergonomic and compact.

**C**



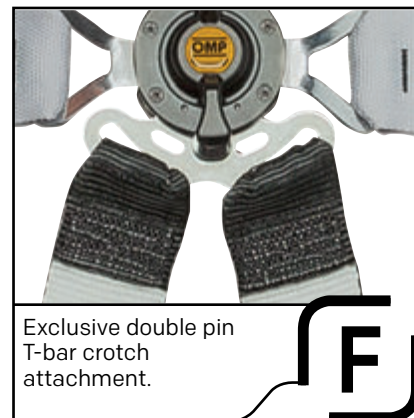
Professional ultra lightweight quick release adjuster made of high strength forged aluminum, designed to minimize the weight and slipping of the webbing, ergonomic and compact.

**D**



Professional ultra lightweight quick release adjuster made of high strength forged aluminum, designed to minimize the weight and slipping of the webbing, ergonomic and compact.

**E**



Exclusive double pin T-bar crotch attachment.

**F**



New lightweight quick release adjuster made of steel and high strength aluminum, ergonomic and compact.

**G**



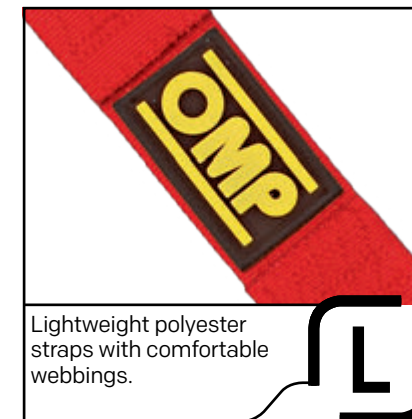
Professional adjuster made of high strength steel.

**H**



Ultra lightweight Dyneema®, the world strongest fiber™ straps with comfortable webbings.

**I**



Lightweight polyester straps with comfortable webbings.

**L**



Lightweight steel snap hook.

**M**



Lightweight steel carabiner.

**N**

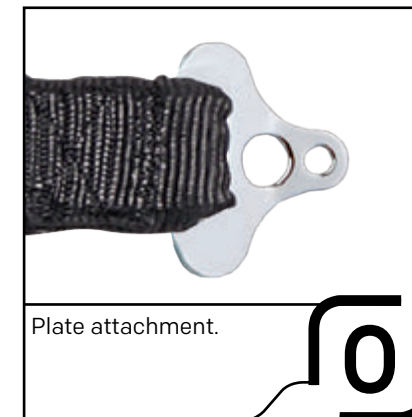
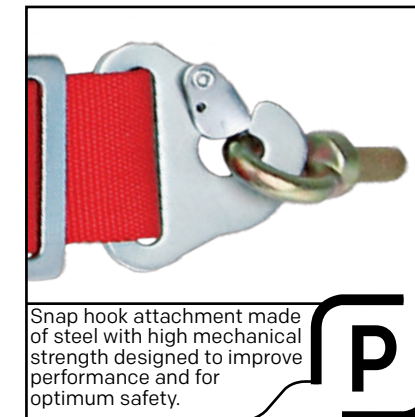


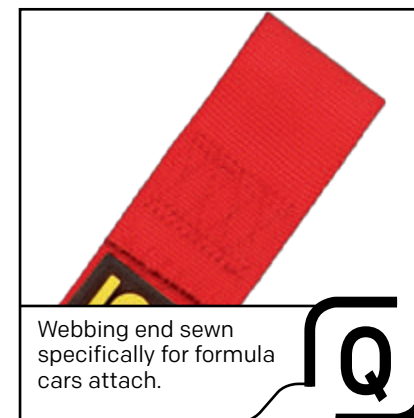
Plate attachment.

**O**



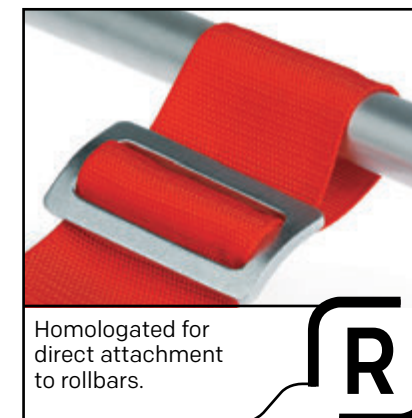
Snap hook attachment made of steel with high mechanical strength designed to improve performance and for optimum safety.

**P**



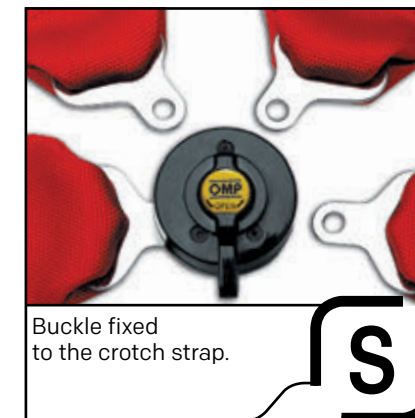
Webbing end sewn specifically for formula cars attach.

**Q**



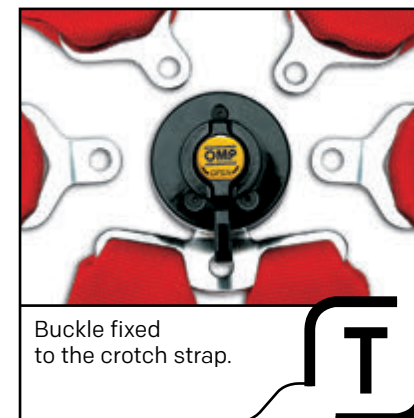
Homologated for direct attachment to rollbars.

**R**



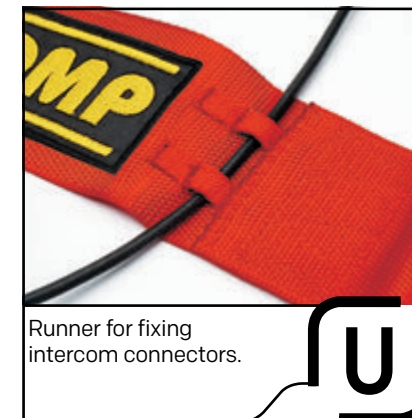
Buckle fixed to the crotch strap.

**S**



Buckle fixed to the crotch strap.

**T**



Runner for fixing intercom connectors.

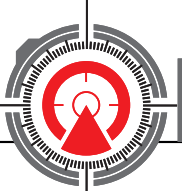
**U**



Runner for use with rubber bands - specifically for GT cars.

**V**





DA0-0102-A03

ALSO AVAILABLE IN MAGNESIUM-FREE VERSION UPON REQUEST

DA0-0102-A02

DA0-0102-A04

50% LIGHTER  
15% MORE RESISTANT

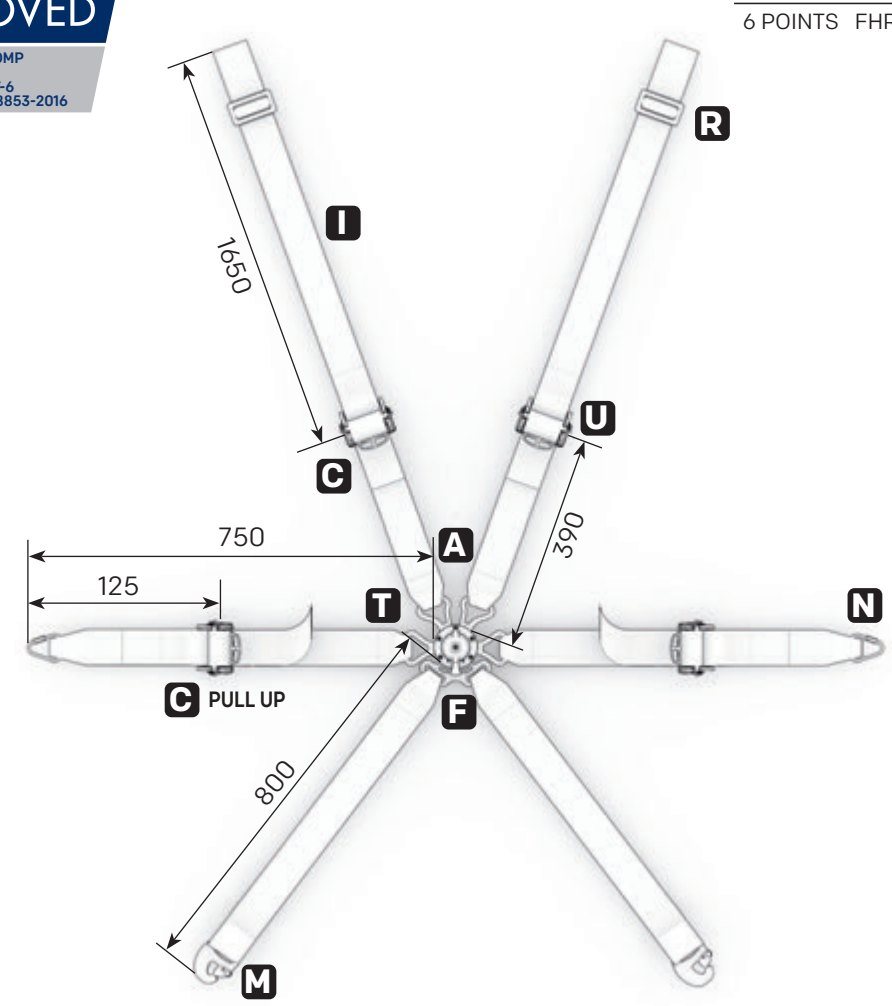


**SALOON  
PULL UP**



**SALOON PULL UP OR PULL DOWN**

Ultralightweight and comfortable safety harness for saloon cars in **Dyneema®**, the world strongest fiber™. Forged aluminium ultralight adjusters, buckle in ergal machined from solid and magnesium. The harness ensures best safety level ever thanks to the ultra-resistant buckle with an anti-unwitting opening system and exclusive double pin T-bar crotch attachments. Adjust able setting of shoulder and lap straps with exclusive F1-inspired "double fold" system for a practical and strong hold.



6 POINTS FHR ONLY

MEASUREMENTS IN MM



SEE HARNESES COMPARISON TABLE PAGE 111





**DA0-0210-A01**

## SALOON PULL UP



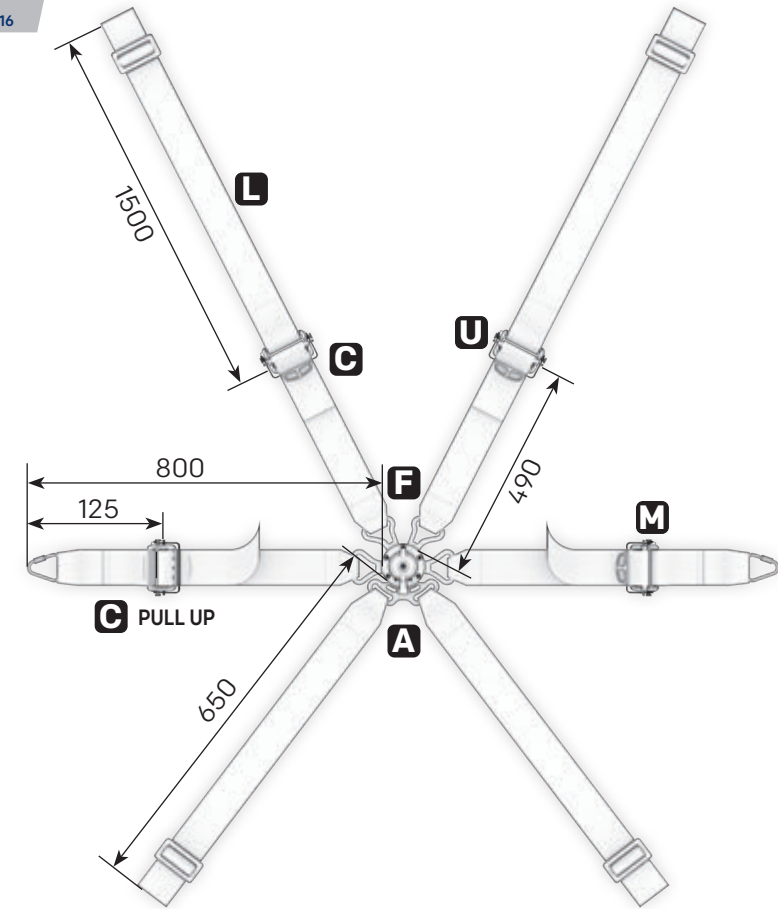
### SALOON PULL UP

Lightweight and comfortable safety harness for saloon cars in polyester fabric. Forged aluminium ultralight adjusters, buckle in ergal machined from solid. The harness ensures best safety level ever thanks to the ultra-resistant buckle with an anti-unwitting opening system and exclusive double pin T-bar crotch attachments. FHR only.



MANUFACTURER: OMP  
MODEL: DA0210  
HOM. NO: SH.084.21-T-6  
FIA STANDARD: FIA 8853-2016

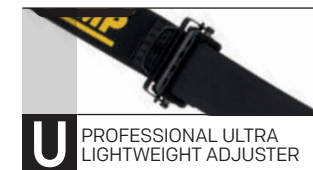
6 POINTS FHR ONLY



MEASUREMENTS IN MM



**L** LIGHTWEIGHT POLYESTER STRAPS



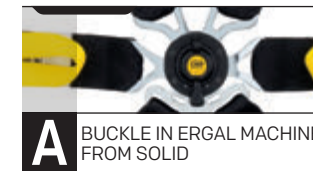
**U** PROFESSIONAL ULTRA LIGHTWEIGHT ADJUSTER



**M** LIGHTWEIGHT STEEL SNAP HOOK



**F** EXCLUSIVE DOUBLE PIN T-BAR CROTCH ATTACHMENT



**A** BUCKLE IN ERGAL MACHINED FROM SOLID



**C** PULL UP



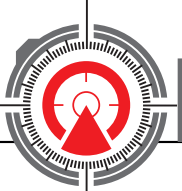
**R** HOMOLOGATED FOR ROLL BAR

SEE HARNESSSES COMPARISON TABLE PAGE 111



**NEW**

# ONE 2" ENDURANCE



DA0-0211-A02

## SALOON PULL DOWN

NEW SMALLER T-BAR ATTACHMENT



EXCLUSIVE NEW DOUBLE PIN T-BAR CROTCH ATTACHMENT

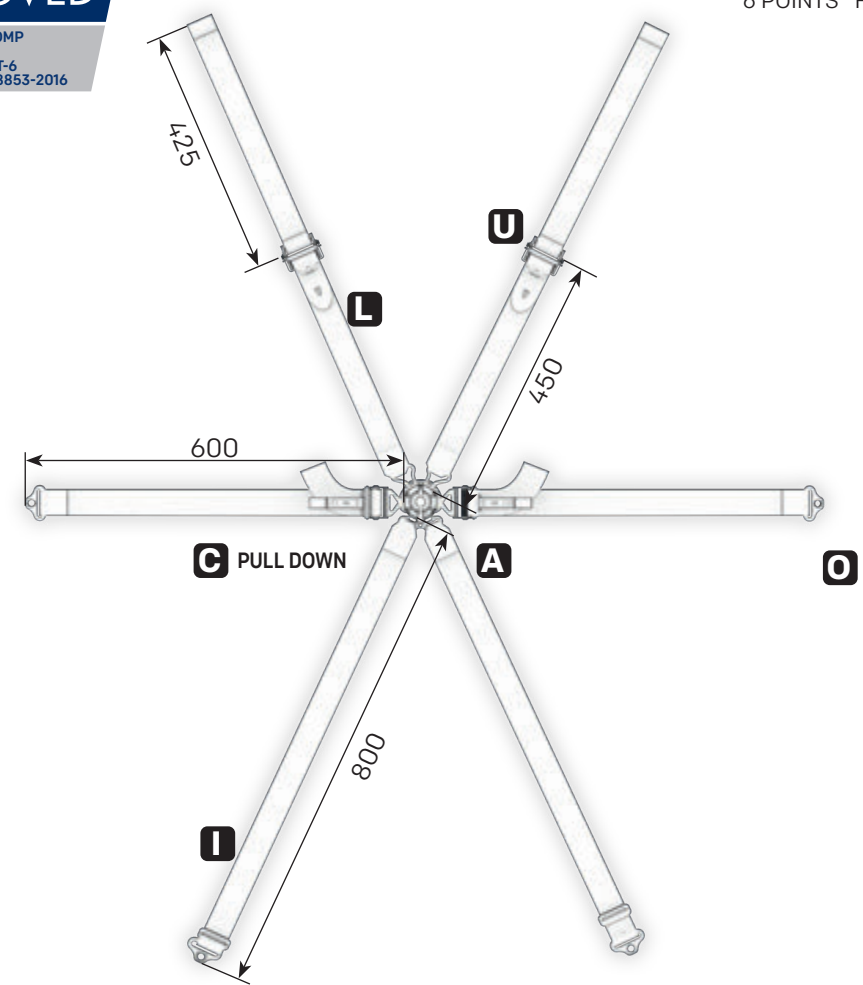


### SALOON PULL DOWN

Lightweight and comfortable safety harness for saloon cars in Dyneema and polyester fabric. Forged aluminium ultralight adjusters, quick buckle in ergal machined from solid. FHR only. Quick adjusters. Fluo reflective inserts for best visibilty, even at night.

**FIA APPROVED**  
 MANUFACTURER: OMP  
 MODEL: DA0211  
 HOM. NO: SH.09422-T-6  
 FIA STANDARD: FIA 8853-2016

6 POINTS FHR ONLY



MEASUREMENTS IN MM



**L** LIGHTWEIGHT POLYESTER STRAPS



**U** PROFESSIONAL ULTRA LIGHTWEIGHT ADJUSTER



**I** DYNEEMA FABRIC



**A** BUCKLE IN ERGAL MACHINED FROM SOLID



**C** PULL DOWN



**O** PLATE ATTACHMENT



**F** EXCLUSIVE NEW DOUBLE PIN T-BAR CROTCH ATTACHMENT

SEE HARNESES COMPARISON TABLE PAGE 111





**NEW**

DA0-0202-A05

## SALOON PULL DOWN



DA0-0202-A05-061  
red



DA0-0202-A05-071  
black

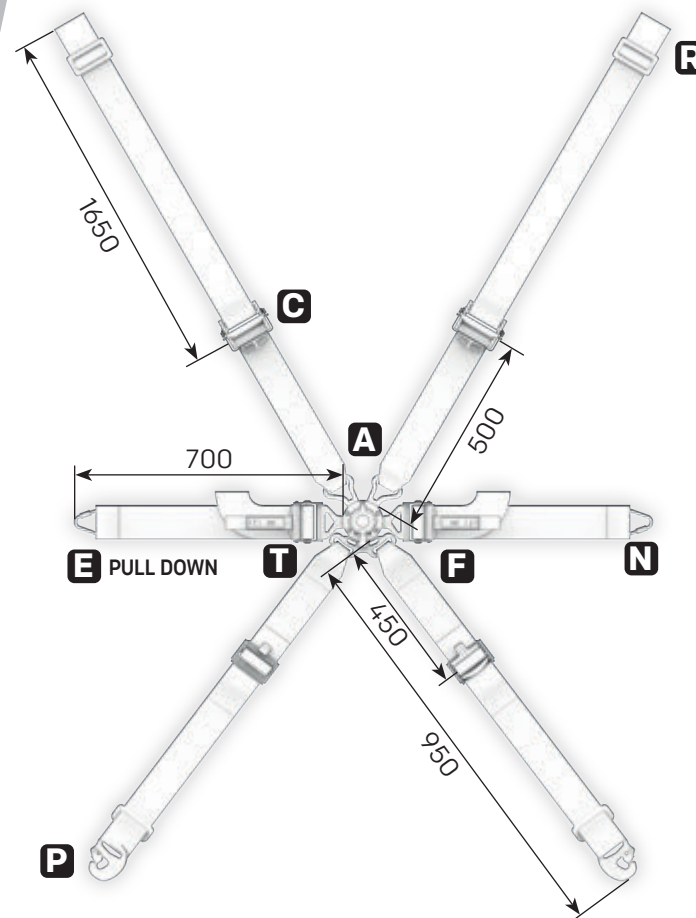
### SALOON PULL DOWN

Lightweight, comfortable and versatile safety harness for saloon cars in polyester fabric. Forged aluminium ultralight adjusters, buckle in ergal machined from solid and magnesium. The harness ensures best safety level ever thanks to the ultra-resistant buckle with an anti-unwitting opening system and exclusive double pin T-bar crotch attachments. With quick adjusters on crotch straps, ENDURANCE lap straps pull down. FHR only.

**FIA APPROVED**

MANUFACTURER: OMP  
MODEL: DA0202  
HOM. NO: SH.012.17-T-6  
FIA STANDARD: FIA 8853-2016

6 POINTS FHR ONLY



MEASUREMENTS IN MM



**C** ULTRALIGHT WEIGHT ADJUSTER



**R** HOMOLOGATED FOR ROLL BAR



**P** STEEL SNAP HOOK



**A** ULTRALIGHT BUCKLE



**N** SMALL SIZE CARABINER



**U** FIXING INTERCOM CONNECTORS



**F** EXCLUSIVE DOUBLE PIN T-BAR CROUCH ATTACHMENT



**E** PROFESSIONAL LIGHTWEIGHT QUICK RELEASE ADJUSTER



**T** BUCKLE FIXED TO THE CROUCH STRAP

SEE HARNESSES COMPARISON TABLE PAGE 111







**DA0-0202-A02**

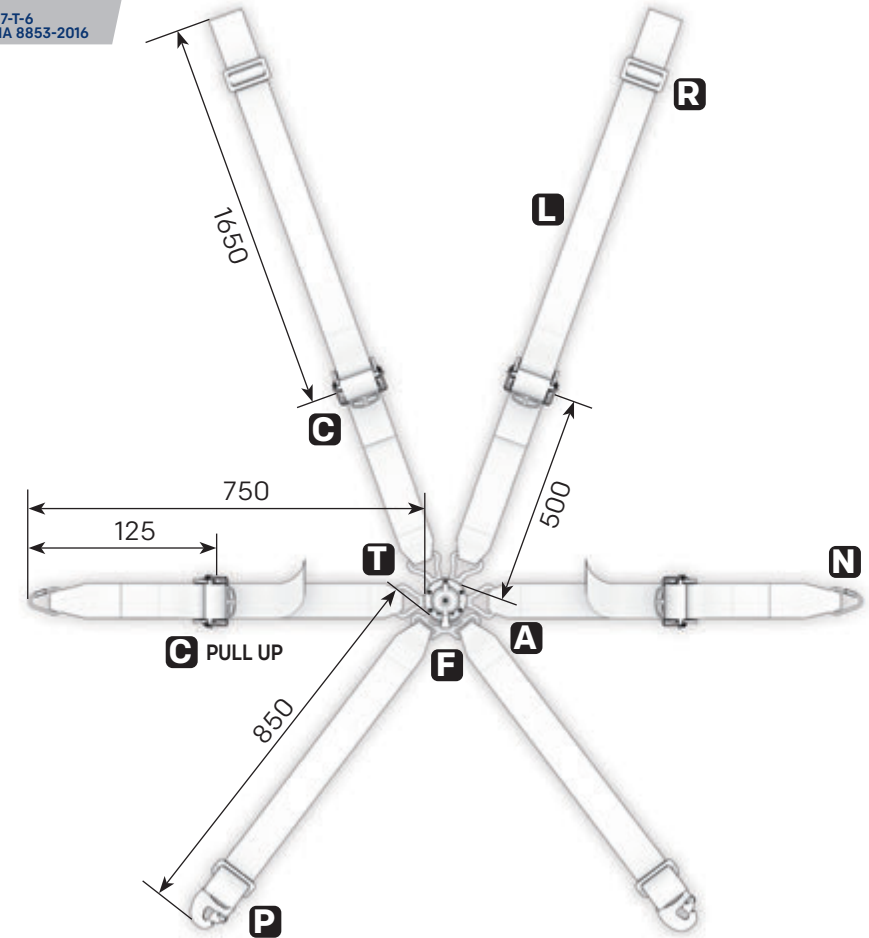
**SALOON  
PULL UP**



**FIA APPROVED**

MANUFACTURER: OMP  
MODEL: DA0202  
HOM. NO: SH.012.17-T-6  
FIA STANDARD: FIA 8853-2016

6 POINTS FHR ONLY

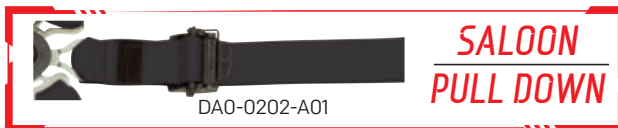


MEASUREMENTS IN MM

**DA0-0202-A02-071**  
black



**DA0-0202-A02-061**  
red



**SALOON  
PULL DOWN**

DA0-0202-A01

**SUPERLIGHT PROFESSIONAL  
SAFETY BELT SALOON PULL UP OR PULL DOWN**

Lightweight and comfortable safety harness for saloon cars in polyester fabric. Forged aluminium ultralight adjusters, buckle in ergal machined from solid and magnesium. The Harness ensures best safety level ever thanks to the ultra-resistant buckle with an anti-unwitting opening system and exclusive double pin T-bar crotch attachments. FHR only.



**C** ULTRALIGHT WEIGHT ADJUSTER



**R** HOMOLOGATED FOR ROLL BAR



**P** STEEL SNAP HOOK



**A** ULTRALIGHT BUCKLE



**N** SMALL SIZE CARABINER



**U** FIXING INTERCOM CONNECTORS



**F** EXCLUSIVE DOUBLE PIN T-BAR CROUCH ATTACHMENT



**L** LIGHTWEIGHT POLYESTER STRAPS



**T** BUCKLE FIXED TO THE CROUCH STRAP

SEE HARNESSSES COMPARISON TABLE PAGE 111





**DA0-0205-A01**

**SALOON  
PULL UP**



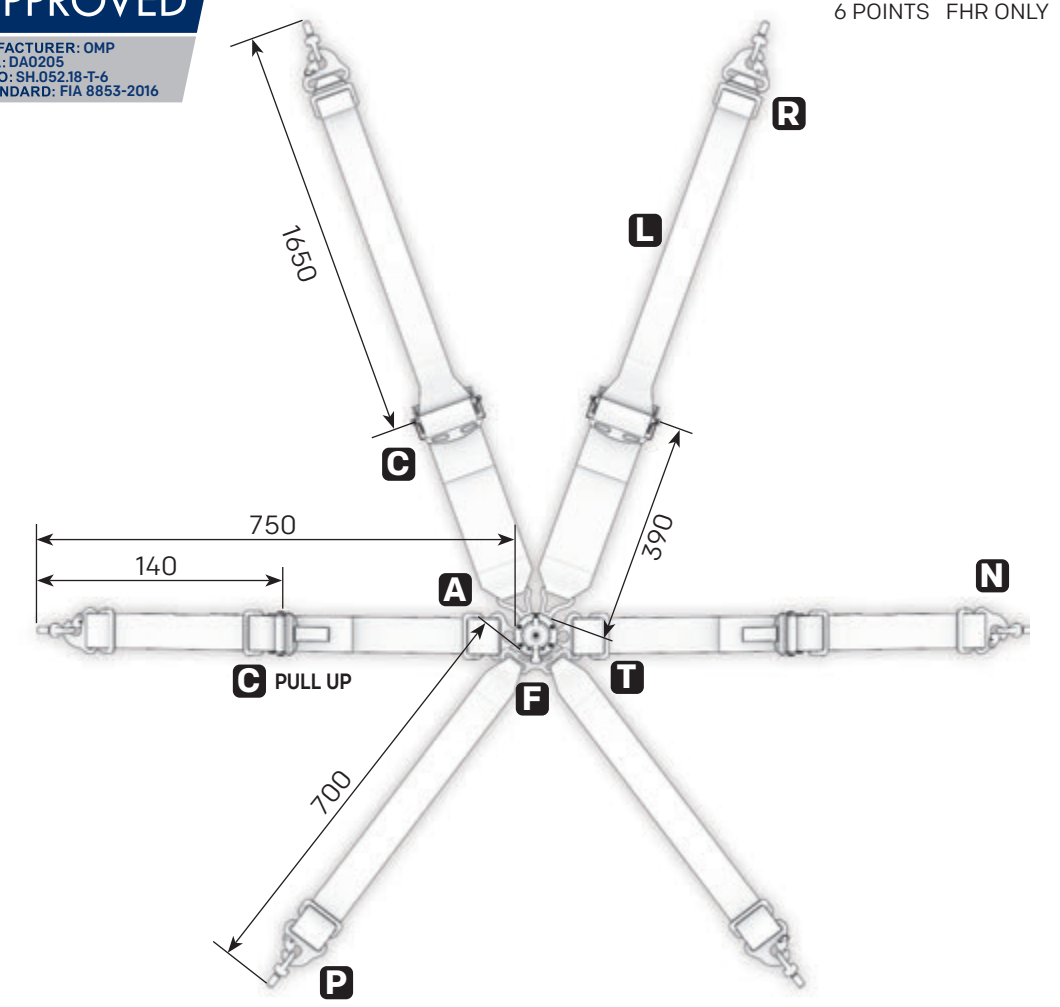
**DA0-0205-A01-061**  
red



**DA0-0205-A01-071**  
black

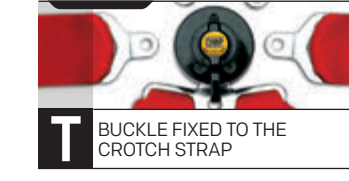
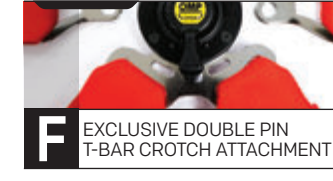
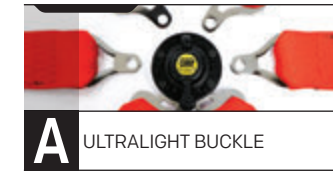
**SALOON PULL UP  
CONVERTIBLE IN PULL DOWN**

Lightweight and comfortable safety harness for saloon cars in polyester fabric. Ultralightweight aluminium adjuster on shoulders, steel and high strength aluminium lightweight adjusters on lap, buckle in ergal machined from solid and magnesium. The harness ensures best safety level ever thanks to the ultra-resistant buckle with an anti-unwitting opening system and exclusive double pin T-bar crotch attachments.



6 POINTS FHR ONLY

MEASUREMENTS IN MM



SEE HARNESSES COMPARISON TABLE PAGE 111



DA0-0205-A02

## SALOON PULL DOWN



DA0-0205-A02-071  
black

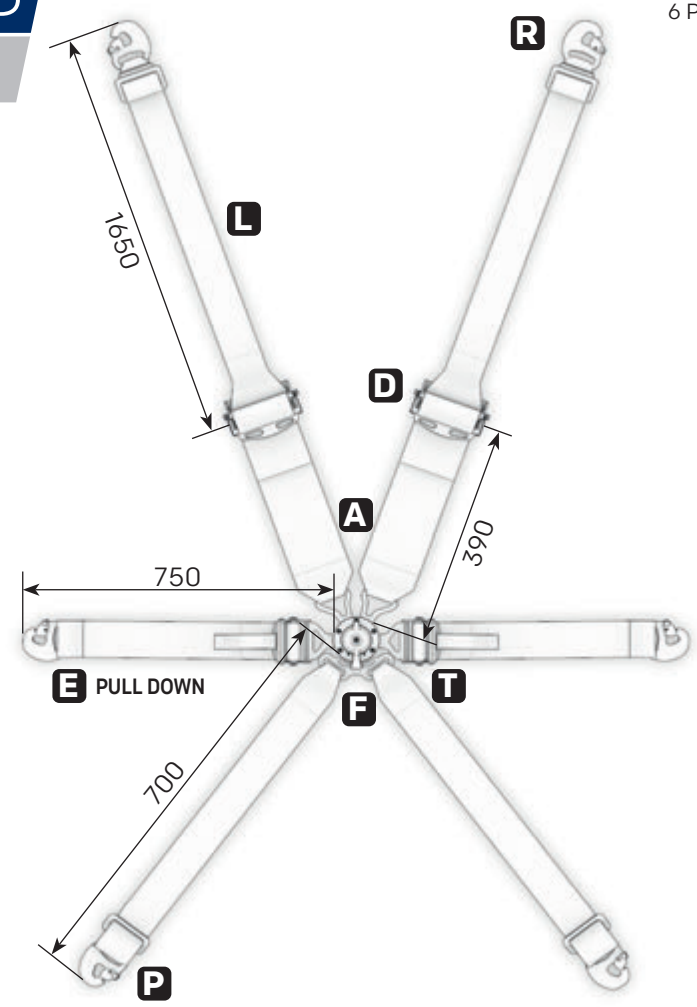


DA0-0205-A02-061  
red

### SALOON PULL DOWN ENDURANCE

Lightweight and comfortable safety harness for saloon cars in polyester fabric. Ultralight aluminium adjuster on shoulders, steel and high strength aluminium lightweight endurance adjusters on lap, buckle in ergal machined from solid and magnesium. The harness ensures best safety level ever thanks to the ultra-resistant buckle with an anti-unwitting opening system and exclusive double pin T-bar crotch attachments.

**FIA APPROVED**  
 MANUFACTURER: OMP  
 MODEL: DA0205  
 HOM. NO: SH.036.1-T-6  
 FIA STANDARD: FIA 8853-2016



6 POINTS FHR ONLY

MEASUREMENTS IN MM



SEE HARNESSSES COMPARISON TABLE PAGE 111



DA0-0203-A01

**SALOON  
PULL UP**



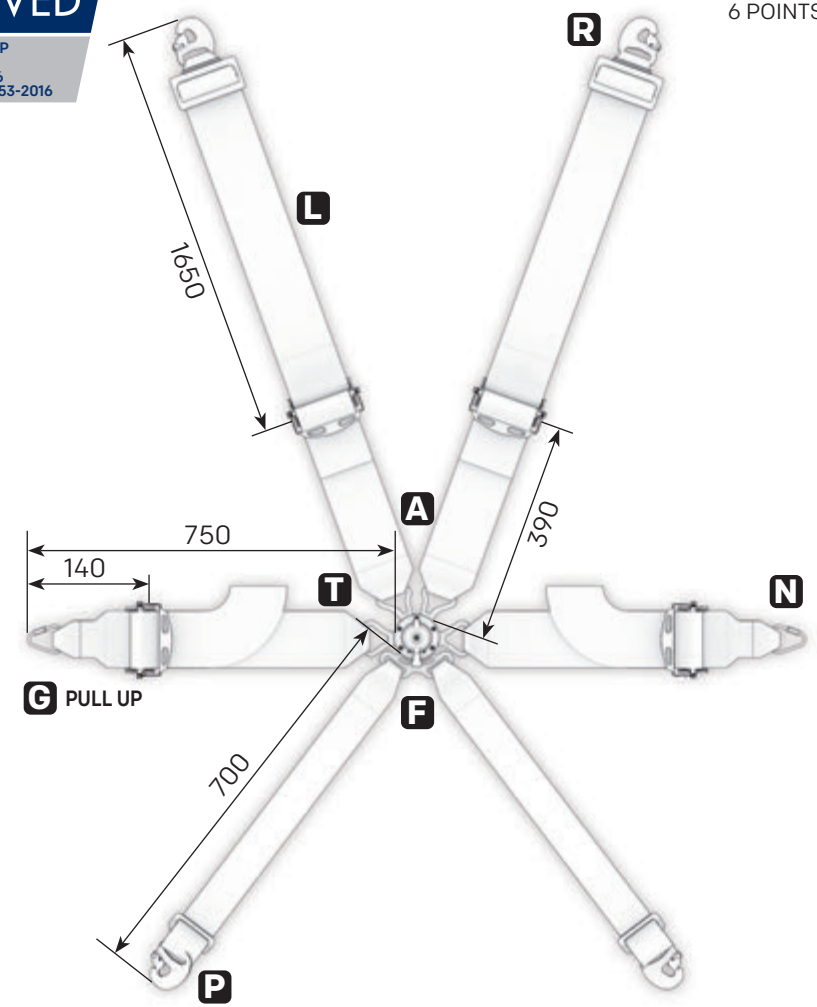
DA0-0203-A02-061  
red



DA0-0203-A01-071  
black

**SALOON PULL UP**

Lightweight and comfortable safety harness for saloon cars in polyester fabric. Steel and high strength aluminium lightweight adjusters, buckle in ergal machined from solid and magnesium. The harness ensures best safety level ever thanks to the ultra-resistant buckle with an anti-unwitting opening system and exclusive double pin T-bar crotch attachments.



6 POINTS FHR ONLY

MEASUREMENTS IN MM



**G** LIGHTWEIGHT QUICK RELEASE ADJUSTER



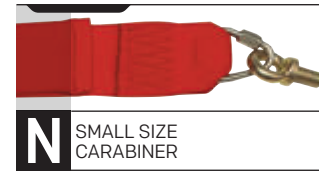
**R** HOMOLOGATED FOR ROLL BAR



**P** STEEL SNAP HOOK



**A** ULTRALIGHT BUCKLE



**N** SMALL SIZE CARABINER



**U** FIXING INTERCOM CONNECTORS



**F** EXCLUSIVE DOUBLE PIN T-BAR CROUCH ATTACHMENT



**L** LIGHTWEIGHT POLYESTER STRAPS



**T** BUCKLE FIXED TO THE CROUCH STRAP

SEE HARNESSSES COMPARISON TABLE PAGE 111



DA0-0203-A02

**SALOON PULL UP**



DA0-0203-A02-071  
black

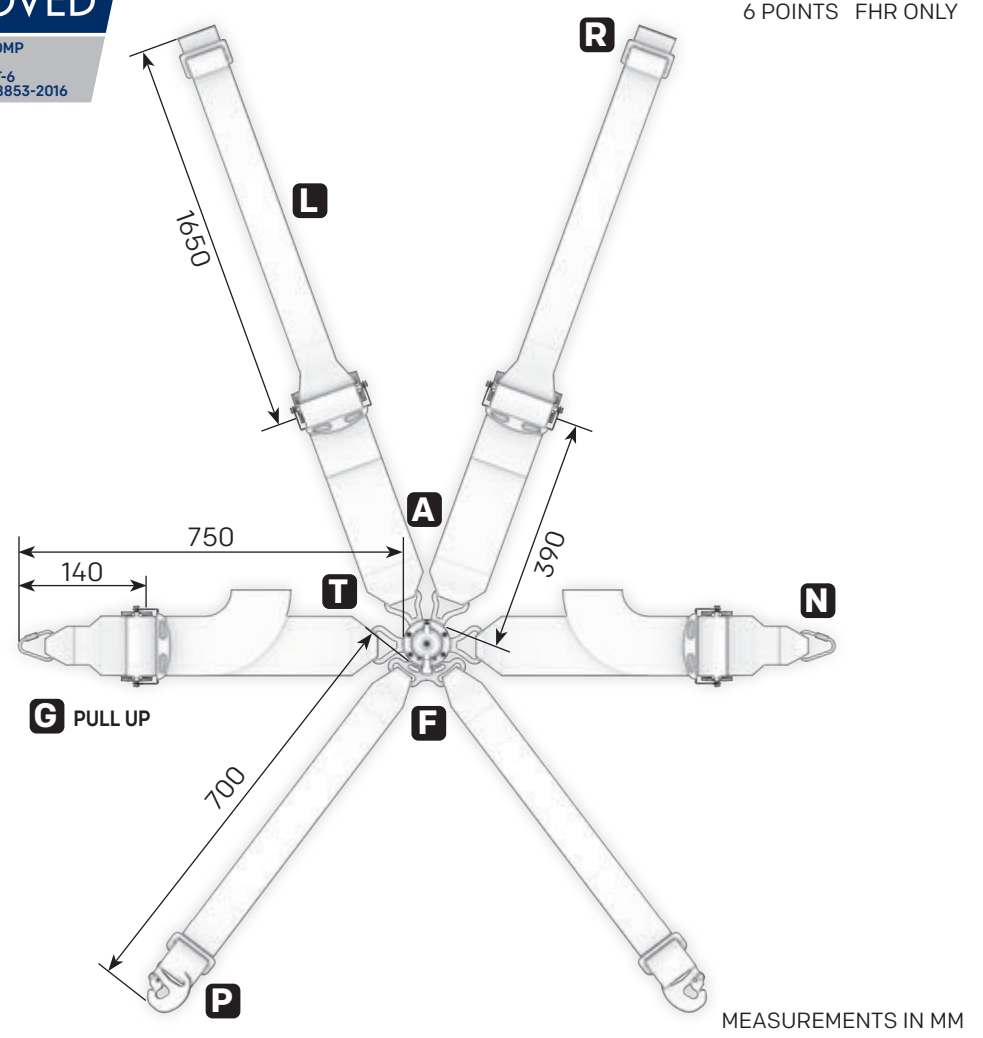


DA0-0203-A02-061  
red

**SALOON PULL UP**

Lightweight and comfortable safety harness for saloon cars in polyester fabric. Steel and high strength aluminium lightweight adjusters, buckle in ergal machined from solid and magnesium. The harness ensures best safety level ever thanks to the ultra-resistant buckle with an anti-unwitting opening system and exclusive double pin T-bar crotch attachments.

**FIA APPROVED**  
 MANUFACTURER: OMP  
 MODEL: DA0203  
 HOM. NO: SH.026.17-T-6  
 FIA STANDARD: FIA 8853-2016



<b>G</b> LIGHTWEIGHT QUICK RELEASE ADJUSTER	<b>R</b> HOMOLOGATED FOR ROLL BAR	<b>P</b> STEEL SNAP HOOK
<b>A</b> ULTRALIGHT BUCKLE	<b>N</b> SMALL SIZE CARABINER	<b>U</b> FIXING INTERCOM CONNECTORS
<b>F</b> EXCLUSIVE DOUBLE PIN T-BAR CROUCH ATTACHMENT	<b>L</b> LIGHTWEIGHT POLYESTER STRAPS	<b>T</b> BUCKLE FIXED TO THE CROUCH STRAP

SEE HARNESSSES COMPARISON TABLE PAGE 111





DA0-0204-B01

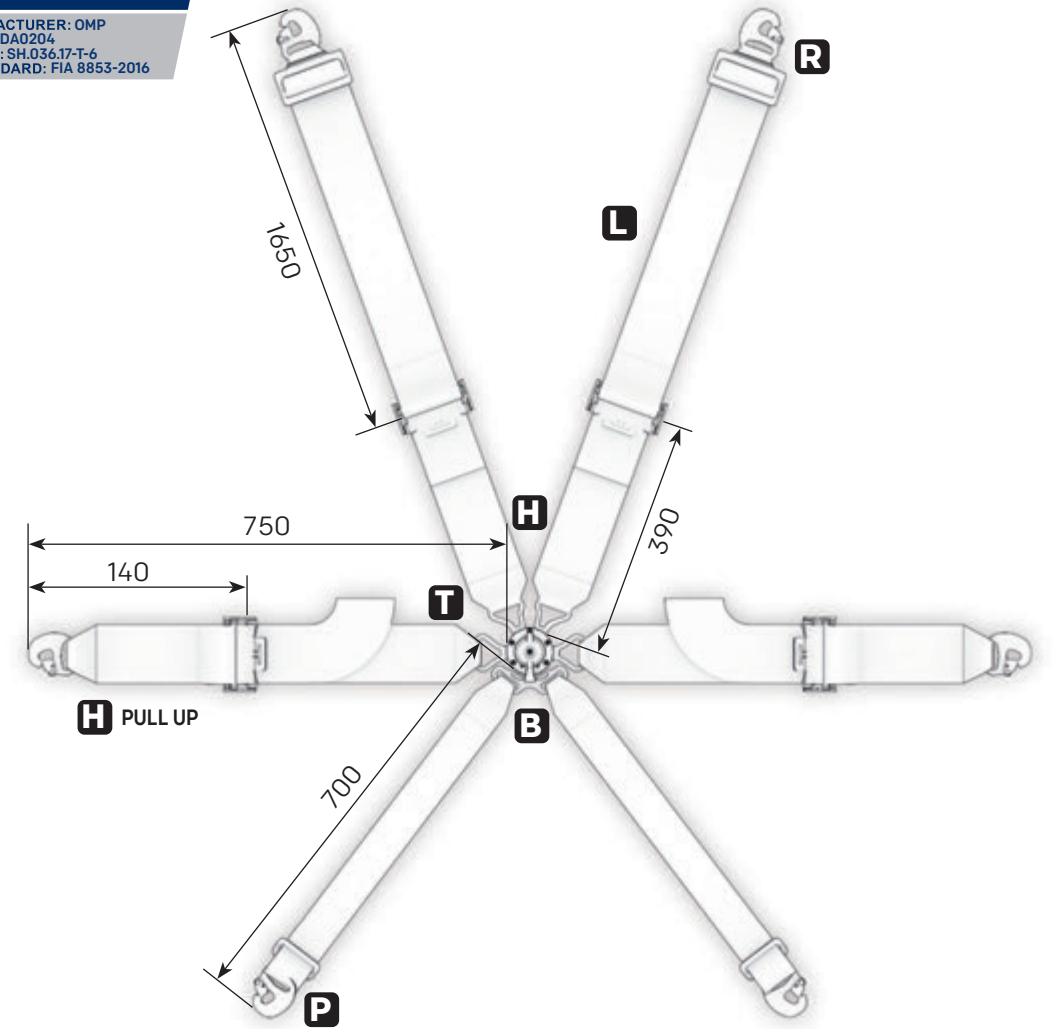
**SALOON  
PULL UP**



**FIA APPROVED**

MANUFACTURER: OMP  
MODEL: DA0204  
HOM. NO: SH.036.17-T-6  
FIA STANDARD: FIA 8853-2016

6 POINTS FHR ONLY



MEASUREMENTS IN MM

DA0-0204-B01-061  
red



DA0-0204-B01-071  
black

**SALOON PULL UP ENTRY LEVEL 3"**

Lightweight and comfortable safety harness for saloon cars in polyester fabric. Strong steel adjusters. Buckle in aluminium and steel with an improved quality/price ratio that ensures same quality at lower price.



**H** PROFESSIONAL STEEL ADJUSTER



**R** HOMOLOGATED FOR ROLL BAR



**P** STEEL SNAP HOOK



**B** PROFESSIONAL BUCKLE



**T** BUCKLE FIXED TO THE CROTCH STRAP



**L** LIGHTWEIGHT POLYESTER STRAPS

SEE HARNESSSES COMPARISON TABLE PAGE 111



**DA0-0204-B02**

**SALOON  
PULL UP**



-  **DA0-0204-B02-041**  
blue
-  **DA0-0204-B02-178**  
black/yellow
-  **DA0-0204-B02-061**  
red

**DA0-0204-B02-071**  
black

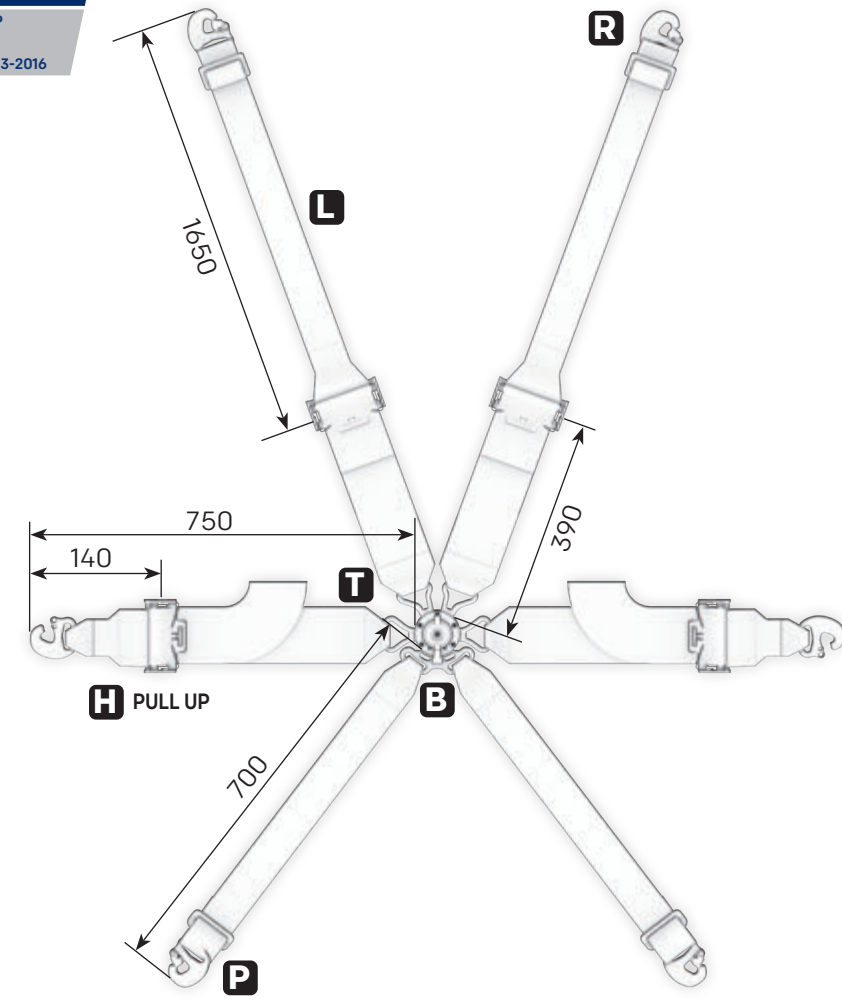
**SALOON PULL UP**

Lightweight and comfortable entry level safety harness in polyester fabric for saloon cars. Steel adjusters on lap, steel and aluminium adjusters on shoulder, buckle in aluminium and steel with an improved quality/price ratio that ensures same quality at lower price.

**FIA APPROVED**

MANUFACTURER: OMP  
MODEL: DA0204  
HOM. NO: SH.052.18-T-6  
FIA STANDARD: FIA 8853-2016

6 POINTS FHR ONLY



MEASUREMENTS IN MM



**H** PROFESSIONAL STEEL ADJUSTER



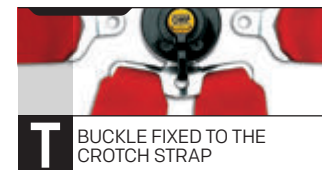
**R** HOMOLOGATED FOR ROLL BAR



**P** STEEL SNAP HOOK



**B** PROFESSIONAL BUCKLE



**T** BUCKLE FIXED TO THE CROTCH STRAP



**L** LIGHTWEIGHT POLYESTER STRAPS

SEE HARNESSSES COMPARISON TABLE PAGE 111





DA0-0208-A01

## SALOON PULL UP



DA0-0208-A01-061  
red



DA0-0208-A01-071  
black

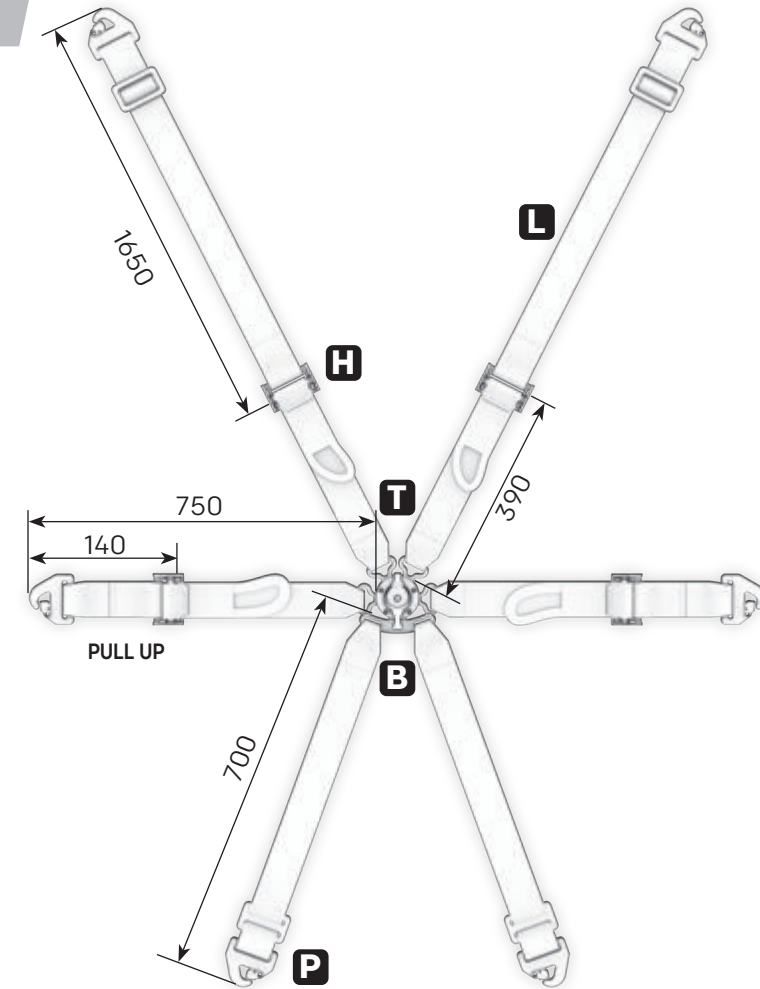
### SALOON PULL UP ENTRY LEVEL 2"

Lightweight and comfortable safety harness for saloon cars in polyester fabric. Strong steel adjusters. Buckle in aluminium and steel with an improved quality/price ratio that ensures same quality at lower price.

FIA APPROVED

MANUFACTURER: OMP  
MODEL: DA0208  
HOM. NO: SH.068.19-T-6  
FIA STANDARD: FIA 8853-2016

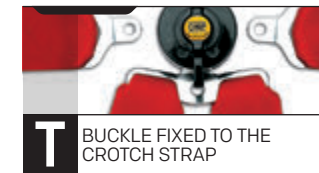
6 POINTS FHR ONLY



MEASUREMENTS IN MM



H PROFESSIONAL STEEL ADJUSTER



T BUCKLE FIXED TO THE CROTCH STRAP



P STEEL SNAP HOOK



B PROFESSIONAL BUCKLE



L LIGHTWEIGHT POLYESTER STRAPS

SEE HARNESSSES COMPARISON TABLE PAGE 111







DA0-0801-B01

*SALOON  
PULL UP*

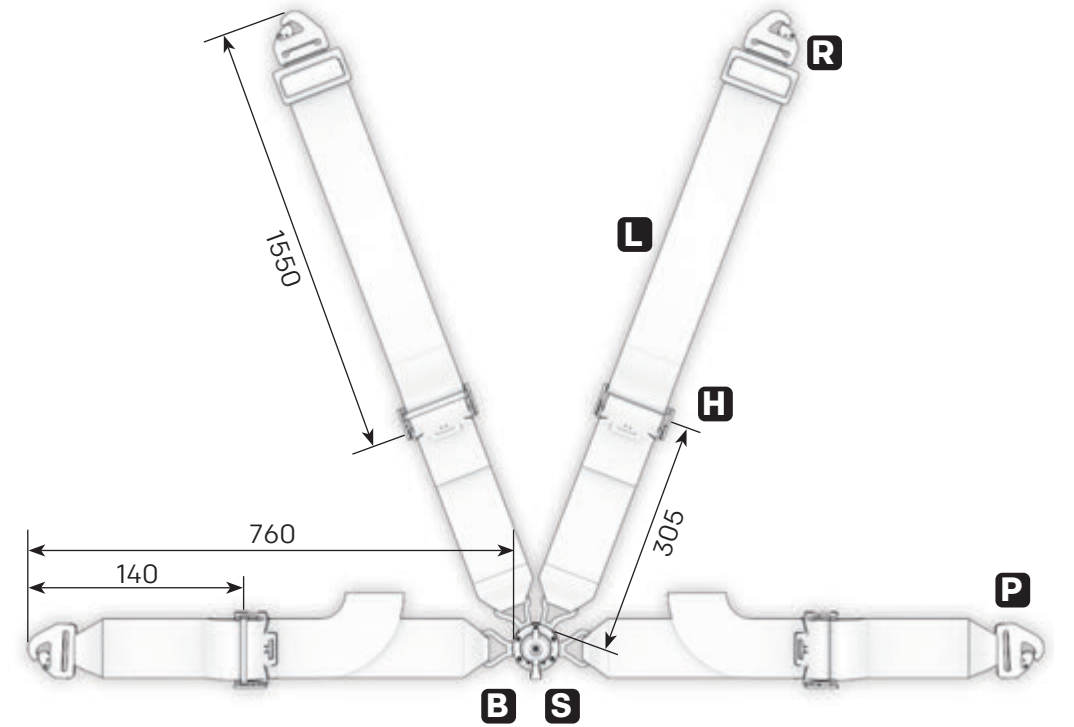


DA0-0801-B01-071  
black

**FIA APPROVED**

MANUFACTURER: OMP  
MODEL: DA801  
HOM. NO: B-252.T/98  
FIA STANDARD: FIA 8854/98

6 POINTS FHR ONLY



MEASUREMENTS IN MM



DA0-0801-B01-061  
red

**PULL UP PROFESSIONAL BELT**

4 point safety harnesses for saloon cars, 3" straps.  
Ultralightweight adjuster, homologated for rollbar, steel snap hook, lap strap buckle fixed.



**H** PROFESSIONAL STEEL ADJUSTER



**S** BUCKLE FIXED TO THE LAP STRAP



**P** STEEL SNAP HOOK



**B** PROFESSIONAL BUCKLE



**R** HOMOLOGATED FOR ROLL BAR



**L** LIGHTWEIGHT POLYESTER STRAPS

SEE HARNESSSES COMPARISON TABLE PAGE 111











DAO-0102-A05

## FORMULA



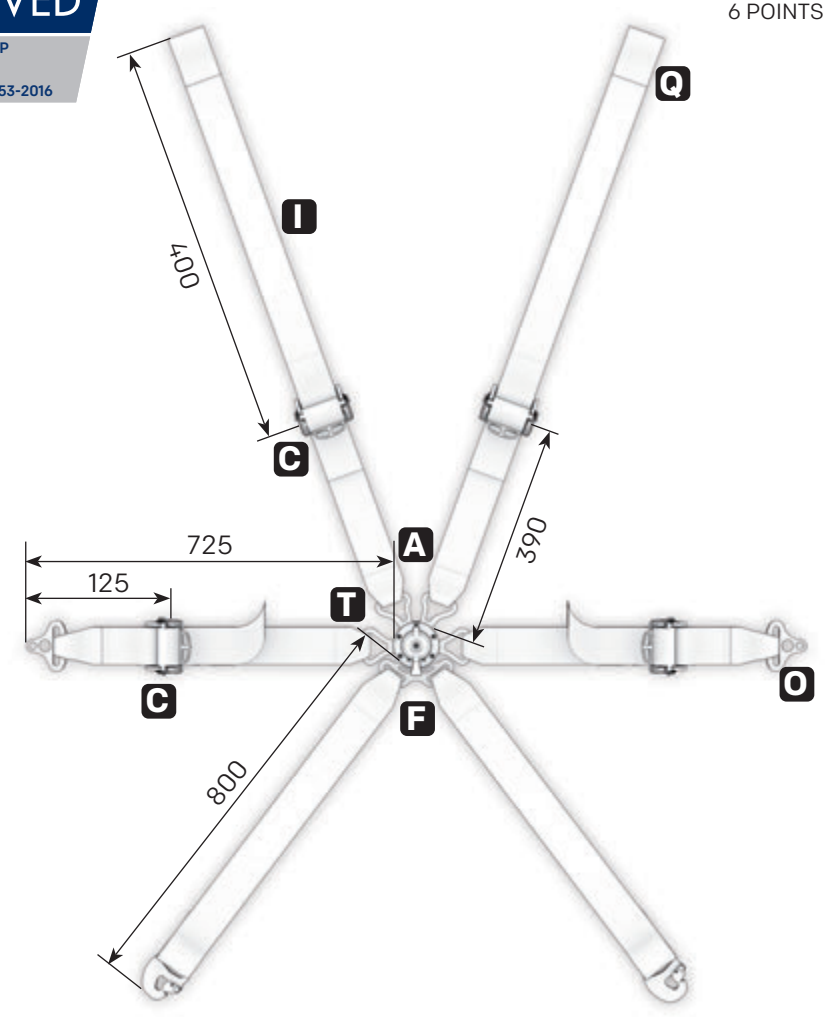
50% LIGHTER  
15% MORE RESISTANT



### FORMULA BELT

Ultralightweight and comfortable safety harness for prototype cars in Dyneema®, the world's strongest fiber™. Forged aluminium ultralight adjusters, buckle in ergal machined from solid and magnesium. The harness ensures best safety level ever thanks to the ultra resistant buckle with an antiunwitting opening system and exclusive double pin T-bar crotch attachments. Adjustable setting of shoulder and lap straps with exclusive F1-inspired "double fold" system for a practical and strong hold.

**FIA APPROVED**  
 MANUFACTURER: OMP  
 MODEL: DAO208  
 HOM. NO: SH.101.23-T-6  
 FIA STANDARD: FIA 8853-2016



6 POINTS FHR ONLY

MEASUREMENTS IN MM



SEE HARNESSSES COMPARISON TABLE PAGE 111





DA0-0104-A01

## FORMULA PULL UP



50% LIGHTER  
15% MORE RESISTANT

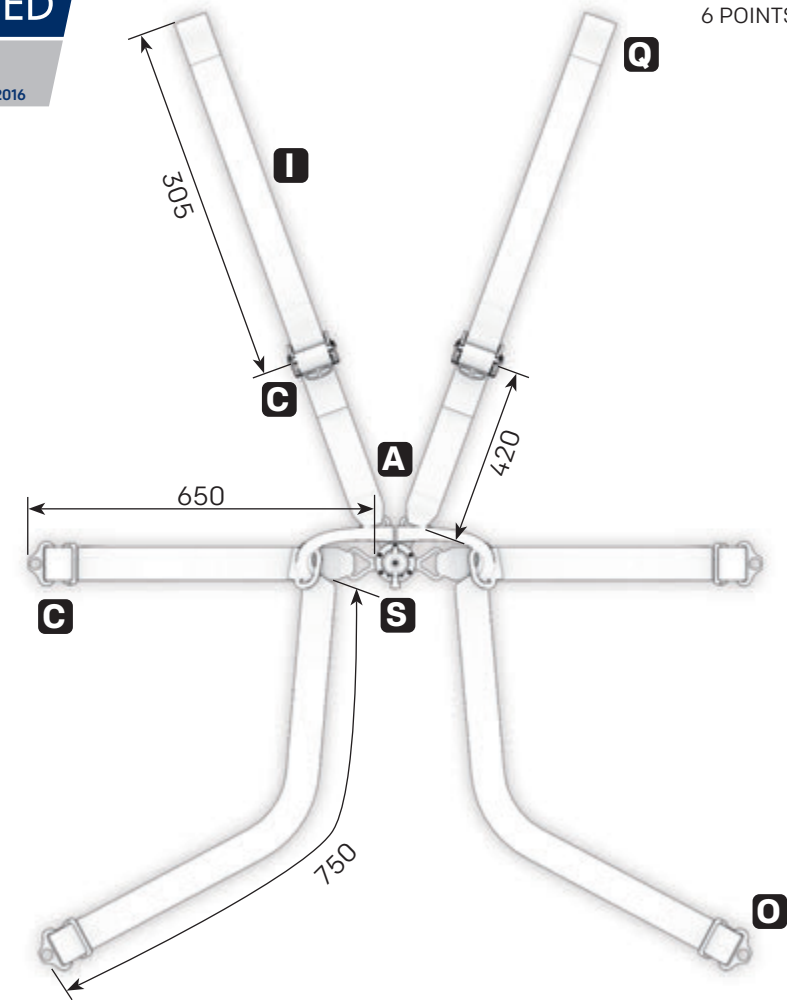


### FORMULA BELT

Ultralightweight and comfortable safety harness for prototype cars in Dyneema®, the world's strongest fiber™. Forged aluminium ultralight adjusters, buckle in ergal machined from solid and magnesium.

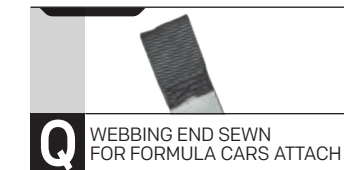
The harness ensures best safety level ever thanks to the ultra-resistant buckle with an antiunwitting opening system and exclusive double pin T-bar crotch attachments.

Adjustable setting of shoulder and lap straps with exclusive F1-inspired "double fold" system for a practical and strong hold.



6 POINTS FHR ONLY

MEASUREMENTS IN MM



SEE HARNESSES COMPARISON TABLE PAGE 111



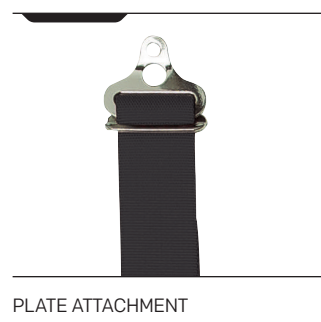




## DA0-0206-A01

ALSO AVAILABLE WITH  
PLATE ATTACHMENTS  
(DA0-0206-A02-061 RED)  
(DA0-0206-A02-071 BLACK)

## DA0-0206-A02



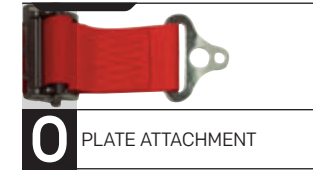
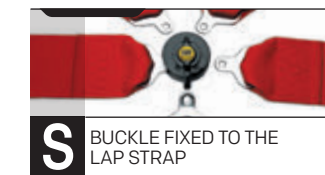
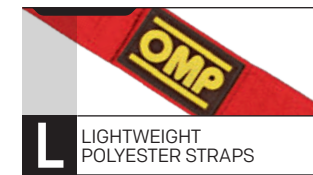
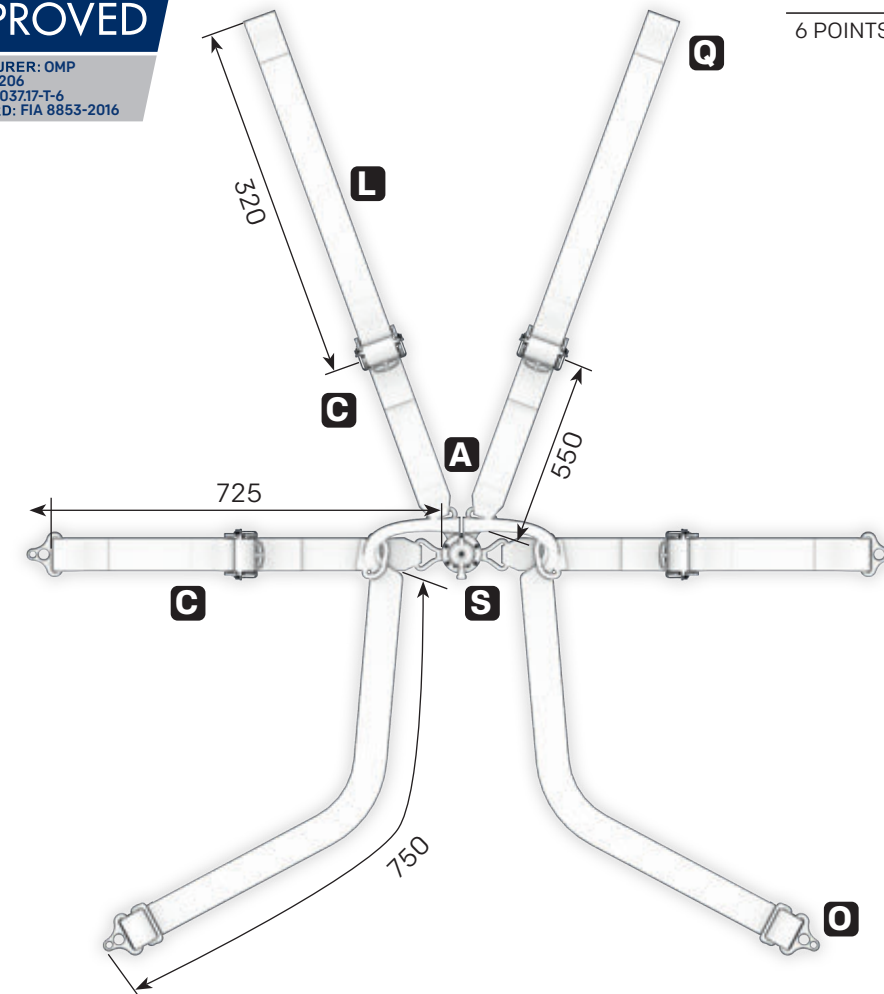
DA0-0206-A01-071  
black



DA0-0206-A01-061  
red

**SUPERLIGHT PROFESSIONAL BELT**  
Lightweight and comfortable safety harness for formula cars in polyester fabric. Forged aluminium ultralight adjusters, buckle in ergal machined from solid and magnesium. The harness ensures best safety level ever thanks to the ultra-resistant buckle.

## FORMULA PULL UP



SEE HARNESSSES COMPARISON TABLE PAGE 111



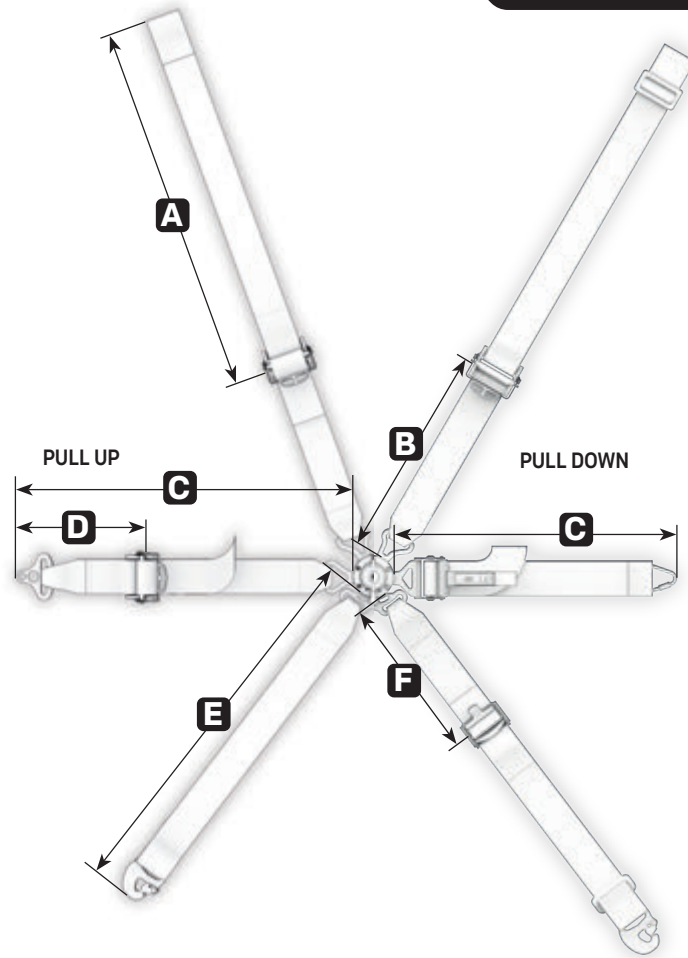
# RACING HARNESSSES TABLE

## FIA 8853-2016 SALOON

### LEGEND

- A** maximum length upper shoulder strap
- B** maximum length lower shoulder strap
- C** maximum length lap strap
- D** fixed lap strap
- E** maximum length crotch strap
- F** maximum length upper crotch strap

MEASURE IN MM



	MATERIAL	POINTS	ADJUSTER	PULL	FHR	SHOULDER BELT STRAP	LAP BELT STRAP	CROTCH BELT STRAP	A	B	C	D	E	F			
<b>ONE-D PULL UP</b> DA0-0102-A03	DYNEEMA	6	ULTRA LIGHT	UP or DOWN	ONLY	2"	ROLLBAR ATTACH.	2"	CARABINER ATTACH.	2"	SNAP HOOK ATTACH.	1650	390	750	125	800	/
<b>ONE-D PULL DOWN</b> DA0-0102-A01																	
<b>ONE 2" WRC</b> DA0-0210-A01	POLYESTER	6	ULTRA LIGHT	UP	ONLY	2"	ROLLBAR ATTACH.	2"	SEWN CARABINER	2"	ROLLBAR ATTACH.	1500	490	800	125	650	/
<b>ONE 2" ENDUR.</b> DA0-0211-A02	DYNEEMA POLYESTER	6	ULTRA LIGHT	DOWN	ONLY	2"	SWN WEBB ATTACH.	2"	PLATE ATTACH.	2"	PLATE ATTACH.	425	450	600	/	800	/
<b>ONE 2 VERSA END.</b> DA0-0202-A05	POLYESTER	6	ULTRA LIGHT	DOWN	ONLY	2"	ROLLBAR ATTACH.	2"	CARABINER ATTACH.	2"	SNAP HOOK ATTACH.	1650	500	700	/	950	450
<b>ONE 2 PULL UP</b> DA0-0202-A02	POLYESTER	6	ULTRA LIGHT	UP or DOWN	ONLY	2"	ROLLBAR ATTACH.	2"	CARABINER ATTACH.	2"	CARABINER ATTACH.	1650	500	750	125	850	/
<b>ONE 2 PULL DOWN</b> DA0-0202-A01																	
<b>ONE 3+2 CONV.</b> DA0-0205-A01	POLYESTER	6	ULTRA LIGHT	UP or DOWN	ONLY	2" 3"	ROLLBAR / SNAP HOOK ATTACH.	2"	SNAP HOOK ATTACH.	2"	SNAP HOOK ATTACH.	1650	390	750	140	700	/
<b>ONE 3+2 ENDUR.</b> DA0-0205-A02	POLYESTER	6	ULTRA LIGHT	DOWN	ONLY	2"	ROLLBAR ATTACH.	2"	SNAP HOOK ATTACH.	2"	SNAP HOOK ATTACH.	1650	390	750	/	700	/
<b>TECNICA 3</b> DA0-0203-A01	POLYESTER	6	LIGHT	UP	FRIENDLY	3"	ROLLBAR ATTACH.	3"	CARABINER ATTACH.	2"	SNAP HOOK ATTACH.	1650	390	750	140	700	/
<b>TECNICA 3+2</b> DA0-0203-A02	POLYESTER	6	LIGHT	UP	ONLY	2" 3"	ROLLBAR ATTACH.	3"	CARABINER ATTACH.	2"	SNAP HOOK ATTACH.	1650	390	750	140	700	/
<b>FIRST 3</b> DA0-0204-B01	POLYESTER	6	PROF.	UP	FRIENDLY	3"	ROLLBAR / SNAP HOOK ATTACH.	3"	SNAP HOOK ATTACH.	2"	SNAP HOOK ATTACH.	1650	390	750	140	700	/
<b>FIRST 3+2</b> DA0-0204-B02	POLYESTER	6	PROF.	UP	ONLY	2" 3"	ROLLBAR / SNAP HOOK ATTACH.	3"	SNAP HOOK ATTACH.	2"	SNAP HOOK ATTACH.	1650	390	750	140	700	/
<b>FIRST 2</b> DA0-0208-A01	POLYESTER	6	ULTRA LIGHT	DOWN	ONLY	2"	SNAP HOOK ATTACH.	2"	SNAP HOOK ATTACH.	2"	SNAP HOOK ATTACH.	1650	390	750	140	700	/
<b>FIRST 3 4P</b> DA0-0801-B01	POLYESTER	6	PROF.	UP	FRIENDLY	3"	ROLLBAR / SNAP HOOK ATTACH.	3"	SNAP HOOK ATTACH.	/	/	1550	305	760	140	/	/

## FIA 8853-2016 FORMULA

	MATERIAL	POINTS	ADJUSTER	PULL	FHR	SHOULDER BELT STRAP	LAP BELT STRAP	CROTCH BELT STRAP	A	B	C	D	E	F			
<b>ONE-D 2 PROT.</b> DA0-0102-A05	DYNEEMA	6	ULTRA LIGHT	UP	ONLY	2"	SEWN WEBB ATTACH.	2"	PLATE ATTACH.	2"	PLATE ATTACH.	400	390	725	125	800	/
<b>ONE-D 2 FORM.</b> DA0-0104-A01	DYNEEMA	6	ULTRA LIGHT	/	ONLY	2"	SEWN WEBB ATTACH.	2"	PLATE ATTACH.	2"	PLATE ATTACH.	305	420	650	/	750	/
<b>TECNICA 2 FORM.</b> DA0-0206-A01	POLYESTER	6	ULTRA LIGHT	UP	ONLY	2"	PLATE / WEB END SEWN ATTACH.	2"	PLATE ATTACH.	2"	PLATE ATTACH.	320	550	725	/	750	/
<b>TECNICA 2 FORM.</b> DA0-0206-A02																	





# RACING 4M

## DA0-0508-A01

ECE HOMOLOGATION  
4 POINTS



DA0-0508-A01-061  
red



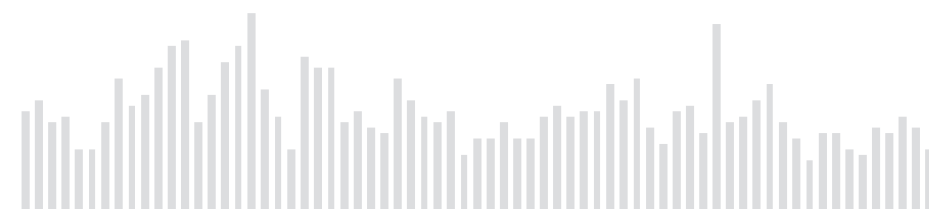
DA0-0508-A01-041  
blue



DA0-0508-A01-071  
black

**Snap hook attachment.**  
**Adjusters:** steel.  
**Push button release:** central.  
Supplied with 7/16" eye bolts.

Shoulder straps: 3"  
Lap straps: 2"





# ROAD 4M

## DA0-0507-A01

**Snap hook attachment.**  
**Adjusters:** steel.  
**Push button release:** central.  
Supplied with 7/16" bolts.

Shoulder straps: 2"  
Lap straps: 2"



ECE HOMOLOGATION  
4 POINTS



DA0-0507-A01-061  
red



DA0-0507-A01-041  
blue

DA0-0507-A01-071  
black

# ROAD 3

## DA0-0504-A01

**Bolt-in attachment.**  
**Adjusters:** steel.  
**Push button release:** central.  
Supplied with 7/16" bolts.

Shoulder straps: 3"  
Lap straps: 2"



ECE HOMOLOGATION  
3 POINTS



DA0-0504-A01-071  
black



DA0-0507-A01-041  
blue

DA0-0504-A01-061  
red

# ROAD 4

## DA0-0505-A01

**Bolt-in attachment.**  
**Adjusters:** steel.  
**Push button release:** central.  
Supplied with 7/16" bolts.

Shoulder straps: 2"  
Lap straps: 2"



ECE HOMOLOGATION  
4 POINTS



DA0-0505-A01-061  
red



DA0-0505-A01-041  
blue

DA0-0505-A01-071  
black

# STRADA 3

## DA0-0509-A01

**Bolt-in attachment.**  
**Adjusters:** steel.  
**Push button release:** central.  
Supplied with 7/16" eye bolts.

Shoulder straps: 3"  
Lap straps: 2"



ECE HOMOLOGATION  
4 POINTS



DA0-0504-A01-071  
black

DA0-0505-A01-071  
black



# SAFETY BELT ACCESSORIES

## HANS STRAP BOLDER

SC0-0020

Hands strap bolder in rubber (pair), with sticker



## SEAT BELT PLATE

DB0-0418-A01

Seat belt plate with threaded 7/16" nut. DIMENSIONS: 50x80x3 mm FIA APPENDIX J art. 253

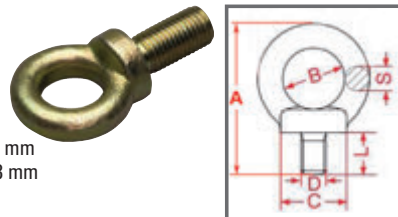


## EYEBOLT

DB0-0420-A01

7/16" eyebolt to attach harness snap-hook fittings.

A: 57 mm / B: 15.5 mm / C: 20 mm D: 7/16" UNF / L: 22 mm / S: 8 mm



## PLATE FOR EYEBOLTS

DB0-0421-A01

Reinforced threaded plate for eyebolts.

DIMENSIONS: 50x25x6 mm



## CUTTER

DB0-0459

Safety seat belt cutter.



## CUTTER

DB0-0461

Safety seat belt cutter.



## PROFESSIONAL CUTTER

DB0-0460-B01

Professional safety belt cutter with hammer, light, emergency lamp and magnet.



## SEAT BELT PADS

DB0-0455

Pair of harness pads in fire retardant Nomex to be used with 2" seat belts. Zipper quick closure, antislip silicon rubber inserts in shoulders contact area. Compatible with Hybrid® safety device.



## SEAT BELT PADS

DB0-0450-A01

Yellow OMP logo. In velour, use with 2" seat belts. Clousure: velcro.



DB0-0450-A01-041 blue



DB0-0450-A01-071 black



DB0-0450-A01-061 red

## SEAT BELT PADS

DB0-0450-A02

Yellow OMP logo. In velour, use with 3" seat belts. Clousure: velcro.



DB0-0450-A02-041 blue



DB0-0450-A02-071 black



DB0-0450-A02-061 red







# ROLLBARS



### FE 45 BOLT-IN AB0-0100-...



FE45 steel bolt-in rollbars with Ø 40x2 & 50x2 tubing, connecting sleeve tubes and reinforced brace in the main hoop. Supplied with door bars and diagonal reinforcement at rear.

**The photos associated to the first part of the part number of the rollbars are for illustrative purposes only. Please refer to our application list on [www.ompracing.com](http://www.ompracing.com) to verify the real structure of the rollbars.**

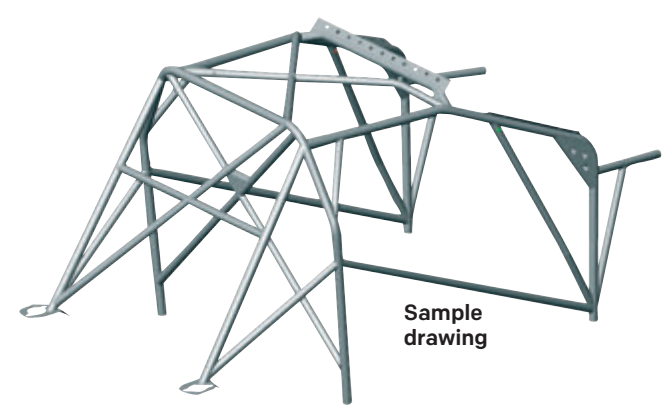
### FE 45 BOLT-IN AA0-104P-...



FE45 steel bolt-in rollbars with door bars to be cut to measure and welded upon installation.

**The photos associated to the first part of the part number of the rollbars are for illustrative purposes only. Please refer to our application list on [www.ompracing.com](http://www.ompracing.com) to verify the real structure of the rollbars.**

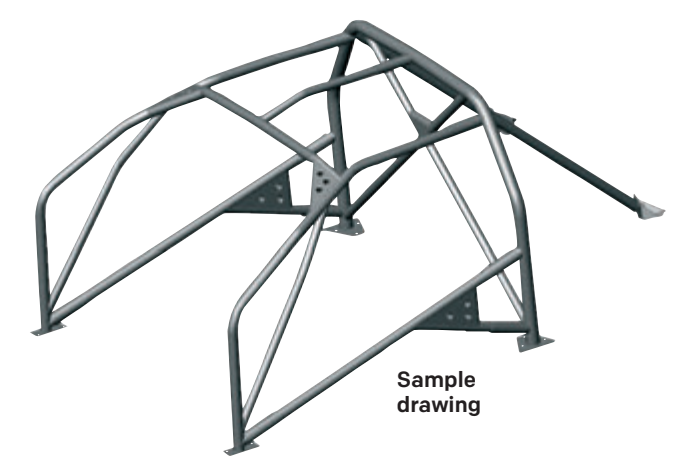
### MULTI-POINT WELD-IN AB0-0106-...A AB0-0106-...AW



**AB/106/...A** supplied partially assembled.  
**AB/106/...AW** supplied not assembled. Multi-point weld-in chromoly (25CrMo4) rollbars. Reduced weight and improved rigidity compared with steel bolt-in rollbars. Supplied partially assembled to facilitate and reduce installation cost.

**The photos associated to the first part of the part number of the rollbars are for illustrative purposes only. Please refer to our application list on [www.ompracing.com](http://www.ompracing.com) to verify the real structure of the rollbars.**

### MULTI-POINT WELD-IN AB0-0106-...B



Multi-point bolt-in chromoly (25CrMo4) rollbars. Reduced weight and improved torsional rigidity.

**The photos associated to the first part of the part number of the rollbars are for illustrative purposes only. Please refer to our application list on [www.ompracing.com](http://www.ompracing.com) to verify the real structure of the rollbars.**

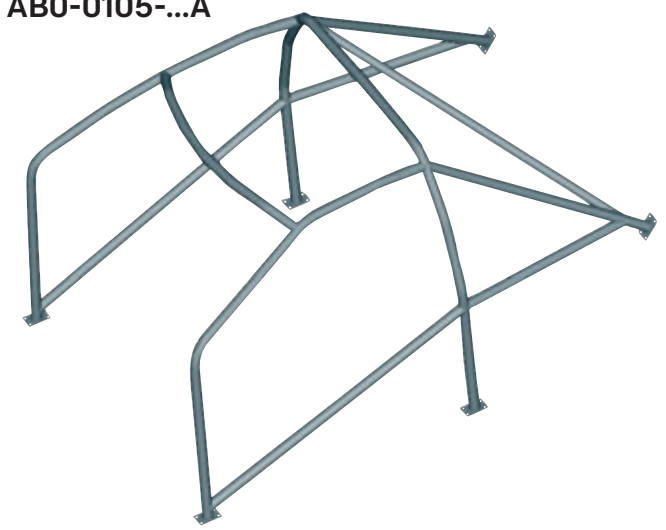
### FE 45 BOLT-IN AB0-105P-...



FE45 steel multi-point bolt-in rollbars with Ø 40x2 & 50x2 tubing, connecting sleeve tubes and door bars. To be cut to measure and welded upon installation.

**The photos associated to the first part of the part number of the rollbars are for illustrative purposes only. Please refer to our application list on [www.ompracing.com](http://www.ompracing.com) to verify the real structure of the rollbars.**

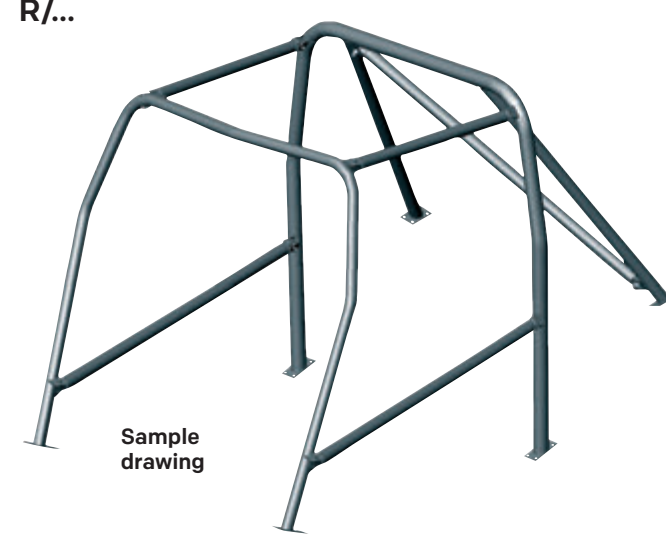
### FE 45 WELD-IN AB0-0105-...A



FE45 steel weld-in rollbars with Ø 50x2 tubing on the main hoop and Ø 40x2 tubing elsewhere. It may be necessary to remove or cut interior panels to facilitate installation.

**The photos associated to the first part of the part number of the rollbars are for illustrative purposes only. Please refer to our application list on [www.ompracing.com](http://www.ompracing.com) to verify the real structure of the rollbars.**

### OFF ROAD BOLT-IN R/...

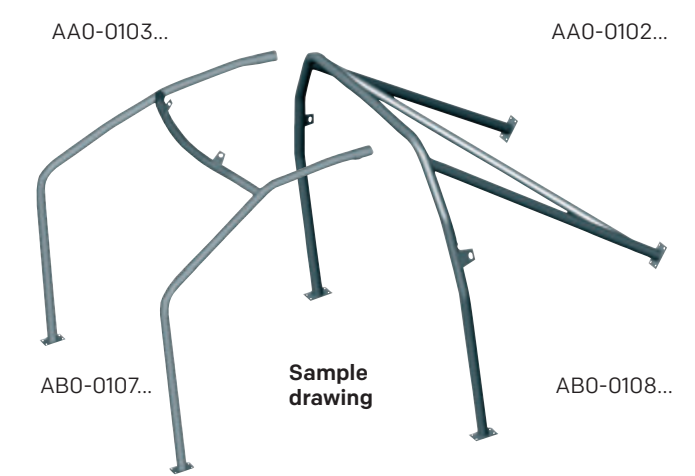


FE45 steel multi-point bolt-in rollbars with Ø 40x2 & 50x2 tubing, connecting sleeve tubes and door bars. To be cut to measure and welded upon installation.

**The photos associated to the first part of the part number of the rollbars are for illustrative purposes only. Please refer to our application list on [www.ompracing.com](http://www.ompracing.com) to verify the real structure of the rollbars.**

### REPLACEMENT HOOD

AA0-0103... AB0-0107... AA0-0102... AB0-0108...



FE45 steel weld-in rollbars with Ø 50x2 tubing on the main hoop and Ø 40x2 tubing elsewhere. It may be necessary to remove or cut interior panels to facilitate installation.

**The photos associated to the first part of the part number of the rollbars are for illustrative purposes only. Please refer to our application list on [www.ompracing.com](http://www.ompracing.com) to verify the real structure of the rollbars.**

**ROLLBARS NOT DISTRIBUTED IN THE US**

**ROLLBARS NOT DISTRIBUTED IN THE US**



# RACING ROLLBARS PARTS AND ACCESSORIES

## RUBBER SLEEVING

**AA0-0113** FIA-J ALL

Foamed rubber sleeving for rollbar sold in pieces of 2 m.



**AA0-0113-C01**  
Ø 40mm

**AA0-0113-D01**  
Ø 50mm

## CONNECTING TUBE

**AA0-0195**

Sleeve connecting tube in FE 45 steel. for tubing Ø 40 mm



FIA-J ALL

## REINFORCEMENT

**AA0-0200**

Reinforce rollbar crosses. **Thickness:** 1,5 mm **Gusset:** 80°

FIA-J ALL  
DIS 253-24



## REINFORCEMENT

**AA0-0123**

Reinforcement to be used with connections AA/122 and AA/122-50.

FIA-J ALL



## REINFORCEMENT

**AA0-0201**

Reinforce rollbar crosses. **Thickness:** 1,5 mm **Gusset:** 100°

FIA-J ALL  
DIS 253-24



## CONNECTION FIA-J ALL

**AA0-0122**

Connection for rollbar, complete with hardware.

**AA0-0122-A01**  
with tube Ø 40 mm

**AA0-0122-B01**  
with tube Ø 50 mm

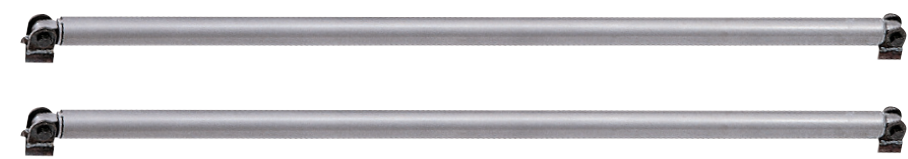


## CONNECTING TUBE

**AA0-0108**

Pair of door bars FE 45 steel, to be welded (no picture).

**Length:** 1.20 m - **Thickness:** 2 mm - Ø 40 mm



## ENERGY ABSORBING

**AA0-0116** TYPE A

Rollbar padding Molded energy absorbing rollbar padding suitable. **Length:** 490mm. For tube Ø 30/40 mm

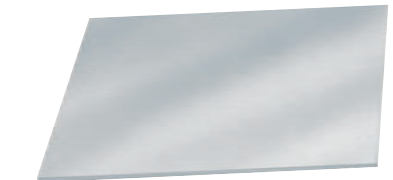


Personalized protection kit service based on customers' drawing.

## PLATE FIA-J ALL

**AA0-0175-C01**

Flat plate lower reinforcement for standard rollbars. **Dimensions:** 100x120x3 mm

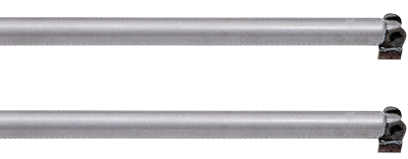


## CONNECTING TUBE

**AA0-0109**

Pair of door bars FE 45 steel, complete with connections.

**Length:** 1.25 m - **Thickness:** 2 mm 40 mm



## ENERGY ABSORBING

**AA0-0115** TYPE A

Molded energy absorbing rollbar padding suitable for both. **Length:** 490 mm For tube Ø 40/50 mm



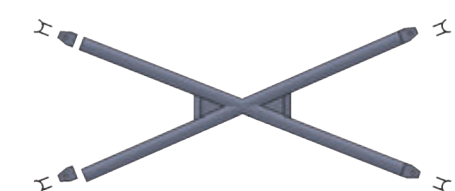
Personalized protection kit service based on customers' drawing.

# RACING ROLLBARS PARTS AND ACCESSORIES

## REINFORCEMENT

**AA0-0111-A01**

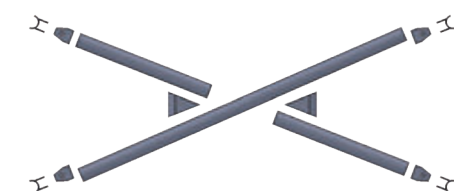
Pair assembled cross door reinforcement, connections included.



## REINFORCEMENT

**AA0-0111-B01**

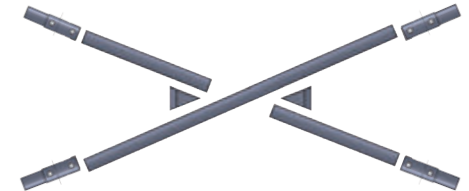
Pair not assembled cross door reinforcement, connections included. Ø 40x2 mm



## REINFORCEMENT

**AA0-0111-C01**

FIA-J ALL Pair not assembled cross door reinforcement, connections included. Ø 40x2 mm



## REINFORCEMENT

**AA0-0204**

Pair of door reinforcements in FE45. Supplied with connecting sleeves. Nuts and bolts included. **Length:** 1.25 m Ø 40x2 mm FIA-J ALL



## REINFORCEMENT

**AA0-0175-A01**

Universal "L" shaped reinforcement plate. Adjustable and suitable for any standard steel rollbar. **Thickness:** 3 mm

FIA-J ALL



## REINFORCEMENT

**AA0-0203**

Kit (2+2) of perforated plates for rollbar fixing in. FIA-J ALL



## COVERS 50 cm

**AA0-0113-B01**

Pair of door bar covers in velour material (same as competition seats) to cover rubber sleeving.



## COVERS 100 cm

**AA0-0113-A01**

Pair of door bar covers in velour material (same as competition seats) to cover rubber sleeving.



## REINFORCEMENT

**AA0-0202**

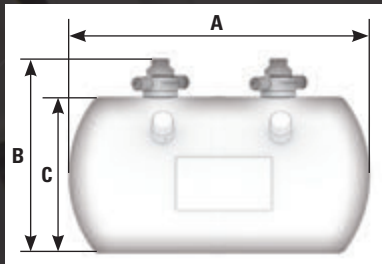
Pair assembled cross door reinforcement, connections included. Ø 40x2 mm FIA-J ALL



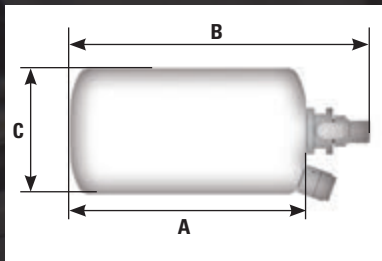


Bottle dimensions:  
The dimensions of A, B, C are in mm.  
\*Total weight including: bottle, valve,  
dip tube, liquid, brackets.

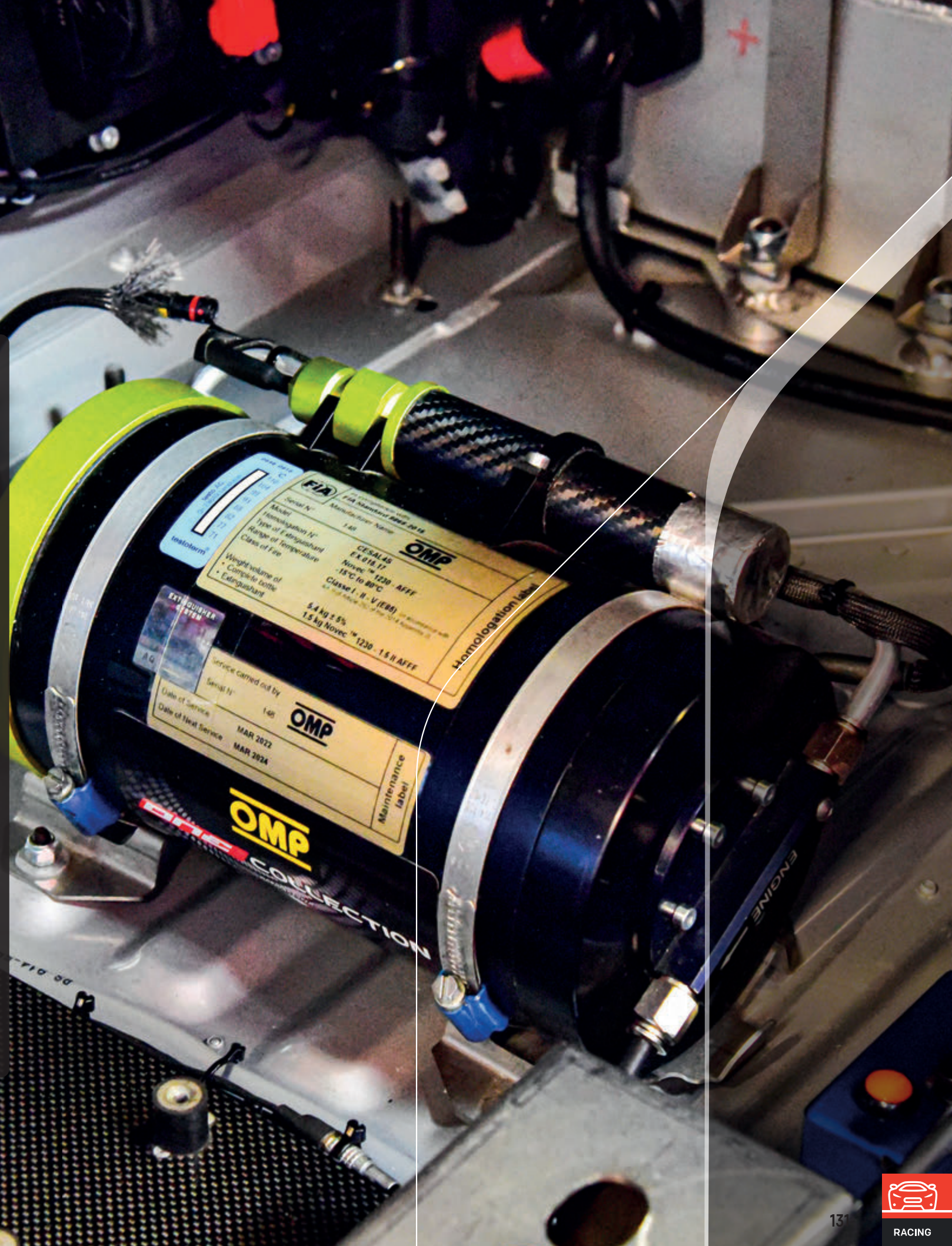
BOTTLE WITH  
VALVE LOCATED  
ON THE CYLINDER  
BODY



BOTTLE WITH  
VALVE LOCATED  
ON THE END OF THE  
CYLINDER BODY



Ref.	Extinguishant	Empty (kg)	Total weight*	A	B	C
<b>PLATINUM COLLECTION</b>						
CEFAL3/B	0.9 lt ecolife	0.4	1.8	194	235	100
CESAL3/B	1.3 lt ecolife	0.7	2.5	204	246	130
CESAL3R/B	2.8 lt ecolife	0.94	4.3	245	286	160
<b>WHITE COLLECTION</b>						
CEFAL2/B	2.8 lt ecolife	0.94	4.3	245	286	160
CESAL2/B	4.25 lt ecolife	1.3	6.2	315	210	160
<b>BLACK COLLECTION</b>						
CMSST1/B	4.25 lt ecolife	2.4	8.1	330	420	160
CMFST1/B	2.8 lt ecolife	1.97	5.6	295	385	130
CESST1/B	4.25 lt ecolife	2.4	7.7	330	385	160
<b>ONE COLLECTION FIA 8865-2015</b>						
CESAL4XS	0.75 kg Novec™ 1230 0.9 lt AFFF		5.4 kg	258	149	114,5
CESAL4S	1.5 kg Novec™ 1230 1.5 lt AFFF		5.4 kg	275	166	134
CESAL4L	2.7 kg Novec™ 1230 0,9 lt AFFF		5.4 kg	287	166	134
CEFAL4	2 kg Novec™ 1230	1.2	3.2 kg	226	275	110
<b>TECNICA COLLECTION FIA 8865-2015</b>						
CESAL5S	1.7 kg Novec™ 1230 1.2 lt AFFF		6 kg	309	200	160
CESAL5L	2.7 kg Novec™ 1230 1.2 lt AFFF		6 kg	350	200	160
CESAL5SE	3.4 kg Novec™ 1230		6.5 kg	309	200	160
CESAL5LE	4.4 kg Novec™ 1230		6.5 kg	350	200	160
<b>OMP SPORT</b>						
CA/372/B	4.25 lt ecolife	2.4	8.1	330	420	160
<b>HAND HELD</b>						
CAB/322	4 Kg powder	2.5	6.5	310	405	160
CAB/319	2.4 Kg ecolife	2.25	5.0	295	390	132
CAB/316	2 Kg powder	0.7	3.1	227	330	108
CBB/351	2.4 Kg ecolife	1.15	4.0	300	390	130
CAB/323	2 lt Novec	1.15	3.15	285	355	110



# EXTINGUISHERS



# CEFAL4



**NEW**

**CEO-FAL4-A01**

**FIA APPROVED**

MANUFACTURER: OMP  
MODEL: CEFAL4  
HOM. NO.: XXXXXXX  
FIA STANDARD: 8876 - 2021

ON REQUEST



**FORMULA**

Ø 110 MM

SUITABLE FOR ELECTRIC AND HYBRID CARS

Homologated for use on:  
Petrol - class I  
Petrol + up to 30% ethanol or methanol (E30) - class II  
Petrol + up to 85% ethanol or methanol (E85) - class V

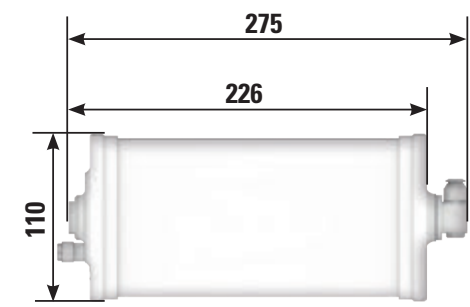
This fire extinguisher system is homologated FIA 8876-2022, the last and innovative FIA standard for plumbed in-fire suppression system for open cockpit cars. The bottle is made in aluminum with an innovative save spacing solution. The system covers a wide range of fuels (from petrol till E85 CLASS I II and V (E85)) and it is suitable for electric and hybrid cars also. The extinguishing medium when released, is non-corrosive and not electrically conductive. In contrast to foam or powder, it does not leave any damaging residues, so the systems do not have to be cleaned and remain up and running after the release of the fluid. The system gets pressurized when activated, enabling the discharge of the extinguishant. The electrical system is waterproof and ready to be installed and the ECU is IP65 and IP67 certified. Fixing brackets, clamps, piping, and connections are included.



- WIRING
- NOZZLES  
4x
- PUSH BUTTON  
1x
- STICKERS  
2x
- 90° CONNECTIONS  
4 Ø8
- Y CONNECTIONS  
1x
- HOSE  
10m
- 8M AL TUBING Ø8
- CONTROL BOX  
1x
- 3 WAY CONNECTIONS  
2 Ø8

**ONE COLLECTION FIA 8876-2022 - CEFAL4**

Ref.	Extinguishant	Empty (kg)	Total weight*
CEO-FAL4-A01	2 kg Novec™ 1230	1.2	3.2 kg



MEASUREMENTS IN MM





# CLASSIC CONTROL UNIT

**NEW**

## CD0-0380-A01

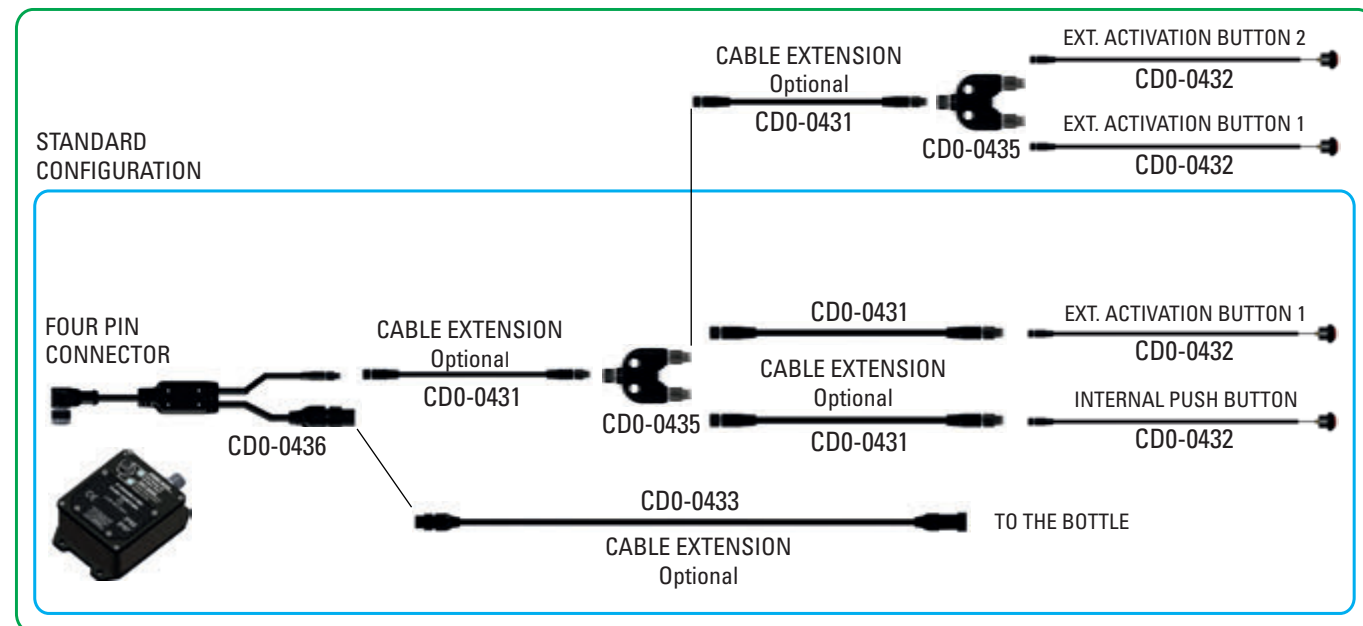
ON REQUEST



**ELECTRONIC CONTROL UNIT FOR FIA 8865-2015 AND FIA 8876-2022 FIRE EXTINGUISHER SYSTEMS**

- ECU with switch & LEDs on the top cover of the ECU
- Two-ways cable to connect activation buttons and bottle to the ECU
- Waterproof dedicated cables and connectors
- Customizable cable extensions
- Internal/External activation buttons
- Possibility to add extra activation buttons
- Easy battery replacement
- IP65 certified

TWO EXT. ACTIVATION BUTTON CONFIGURATION — OPTIONAL



### FRONT PANNEL MOUNTING

#### CD0-0380-A05

Also available on request with front mounting panel.



### WITH CANBUS CONNECTION

#### CD0-0380-A03

CANBUS version upon request to connect the ECU to the CANBUS line of the car.



### FRONT PANNEL MOUNTING AND CANBUS CONNECTION

#### CD0-0380-A07

Also available on request with CANBUS version and front mounting panel.



# REMOTE CONTROL UNIT

**NEW**

## CD0-0380-A02

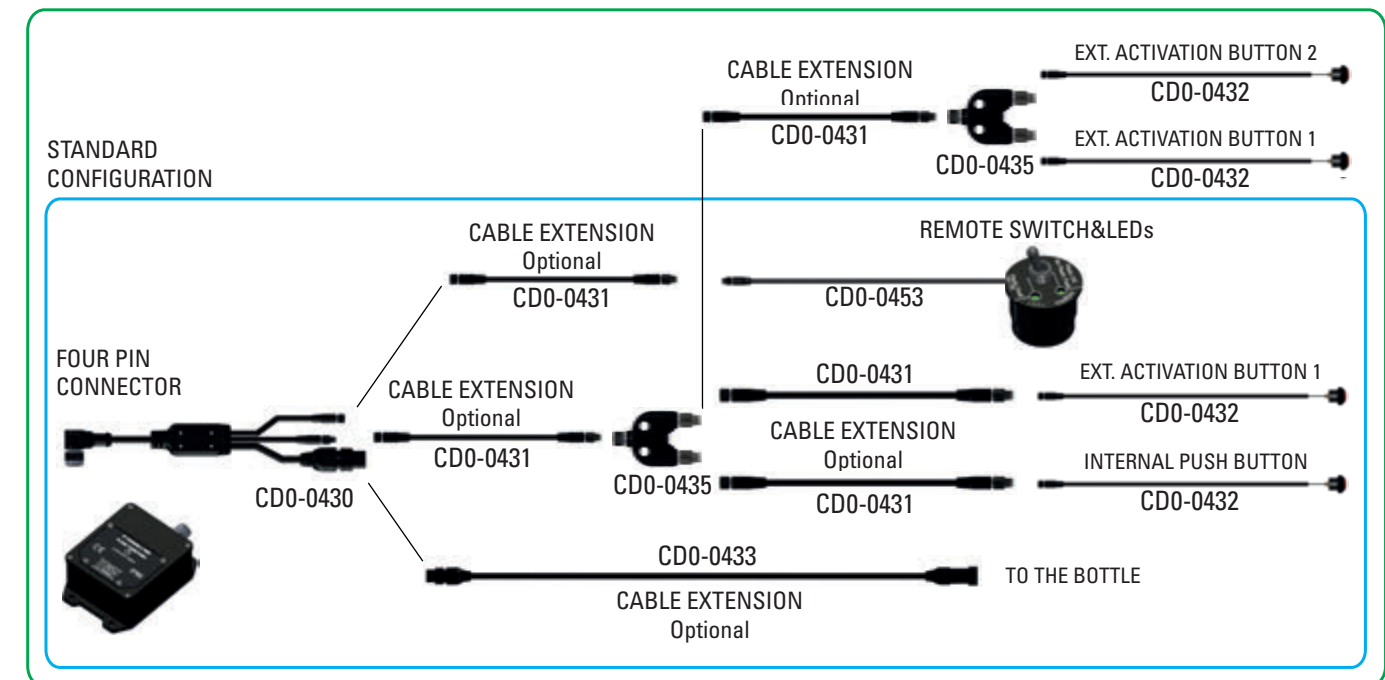
ON REQUEST



**REMOTE ELECTRONIC CONTROL UNIT FOR FIA 8865-2015 AND FIA 8876-2022 FIRE EXTINGUISHER SYSTEMS**

- Test/Armed Switch & LEDs on a dedicated panel that can be placed everywhere in the cockpit
- Three-ways cable to connect switch & LEDs, activation buttons and bottle to the ECU
- Optimal solution for small cockpit
- Possibility to add extra activation button
- Easy battery replacement
- Customizable cable extensions
- IP65 certified

TWO EXT. ACTIVATION BUTTON CONFIGURATION — OPTIONAL







## CEO-SAL4-A01

FROM 2.2 M<sup>3</sup> UP TO 4.1 M<sup>3</sup>



MANUFACTURER: OMP  
MODEL: CESAL4L  
HOM. NO.: EX.014.17  
FIA STANDARD: FIA 8865-2015

## CEO-SAL4-B02

FROM 1.2 M<sup>3</sup> UP TO 2.2 M<sup>3</sup>



MANUFACTURER: OMP  
MODEL: CESAL4S  
HOM. NO.: EX.015.17  
FIA STANDARD: FIA 8865-2015

## CEO-SAL4-C01

FROM 0.6 M<sup>3</sup> UP TO 1.12 M<sup>3</sup>



MANUFACTURER: OMP  
MODEL: CESAL4XS  
HOM. NO.: EX.031.22  
FIA STANDARD: FIA 8865-2015

### ONE COLLECTION

Very compact and ultralight fire extinguisher system, electrically activated. FIA 8865-2015 rules complying. Aluminium bottle.

3 nozzles are for the engine bay in order to protect the most critical and dangerous parts depending on the type of vehicle, 2 nozzles are for the cockpit to ensure the driver front and rear protection. The system is available in three versions: "L" version (only for medium-large sized cockpit), "S" version (suitable for small size cockpit) and "XS" version (suitable for ultra compact cockpit).

Total weight: 5,4 kg (bottle only)

Homologated for use on:  
Petrol (class I)

Petrol + up to 30% ethanol or methanol (E30) (class II)

Petrol + up to 85% ethanol or methanol (E85) (class V)

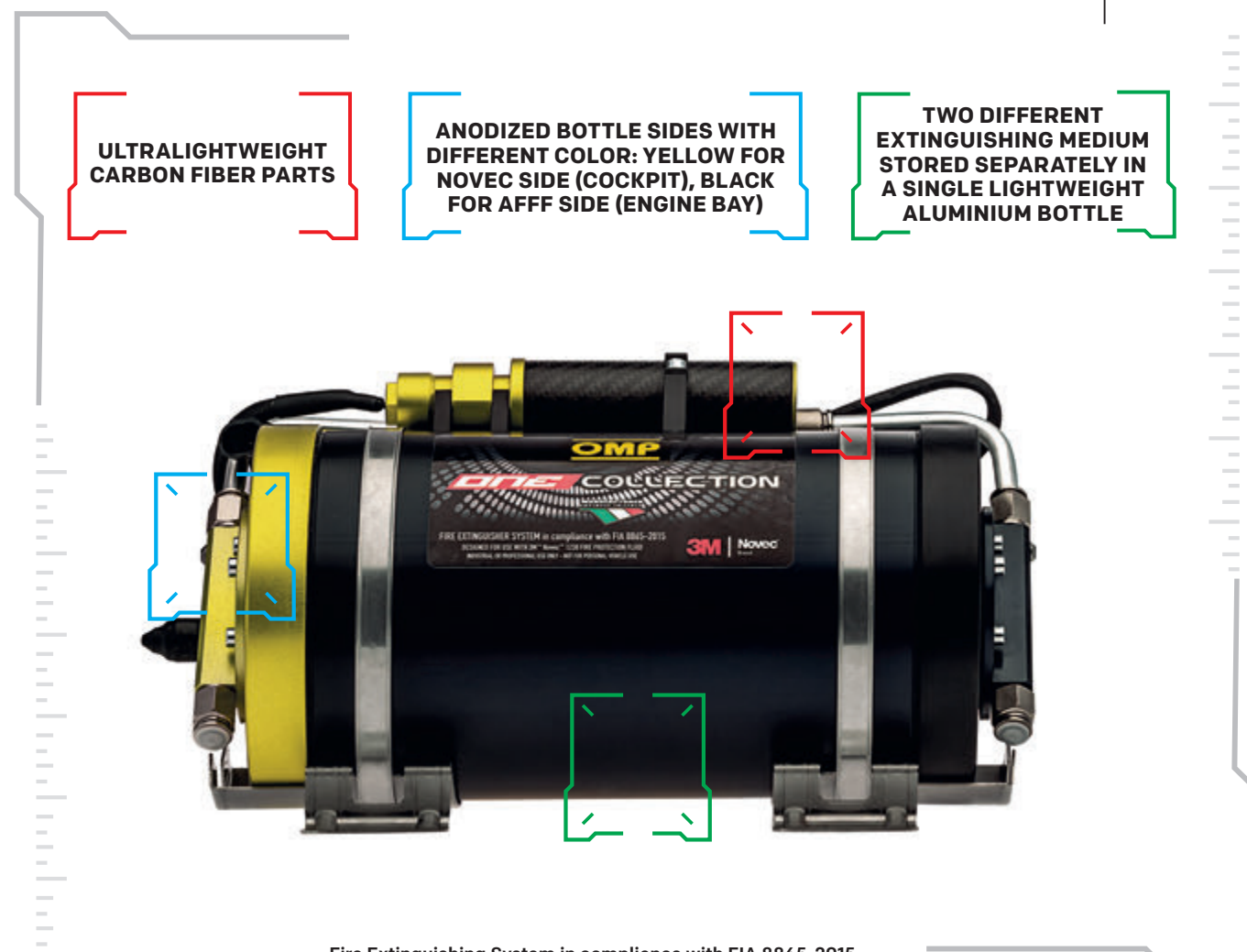


## SALOON

ULTRALIGHTWEIGHT  
Ø 130MM



DETAIL OF THE BOTTOM



ULTRALIGHTWEIGHT CARBON FIBER PARTS

ANODIZED BOTTLE SIDES WITH DIFFERENT COLOR: YELLOW FOR NOVEC SIDE (COCKPIT), BLACK FOR AFFF SIDE (ENGINE BAY)

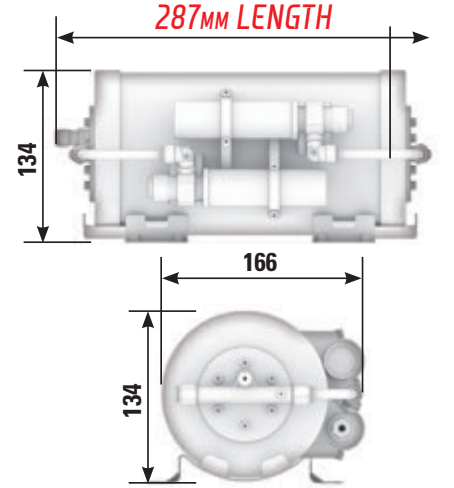
TWO DIFFERENT EXTINGUISHING MEDIUM STORED SEPARATELY IN A SINGLE LIGHTWEIGHT ALUMINIUM BOTTLE

Fire Extinguishing System in compliance with FIA 8865-2015  
Designed for use with 3M Novec™ 1230 Fire Protection fluid.



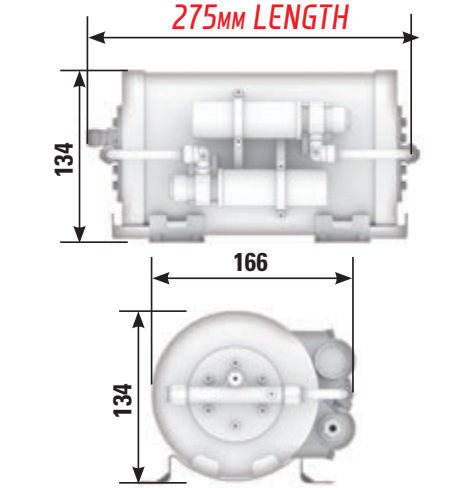
### ONE COLLECTION FIA 8865-2015 - CESAL4L

Ref.	Extinguishant	Total weight*
CEO-SAL4-A01	2.7 kg Novec™ 1230 0,9 lt AFFF	5,4 kg



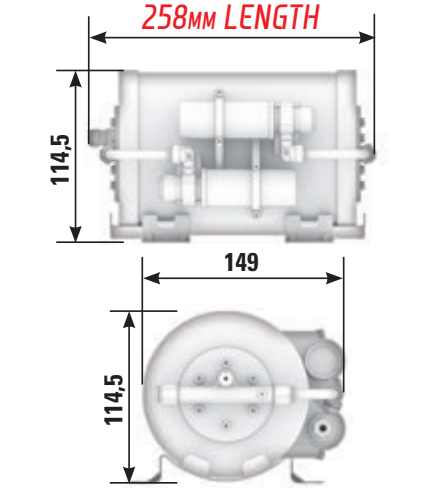
### ONE COLLECTION FIA 8865-2015 - CESAL4S

Ref.	Extinguishant	Total weight*
CEO-SAL4-B01	1.5 kg Novec™ 1230 1.5 lt AFFF	5,4 kg

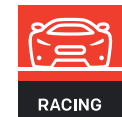
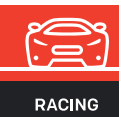


### ONE COLLECTION FIA 8865-2015 - CESAL4XS

Ref.	Extinguishant	Total weight*
CEO-SAL4-C01	0.75 kg Novec™ 1230 0.9 lt AFFF	5,4 kg



MEASUREMENTS IN MM





# CESAL5

**CEO-SAL5-A01**  
FROM 2.2 M<sup>3</sup> UP TO 4.1 M<sup>3</sup>



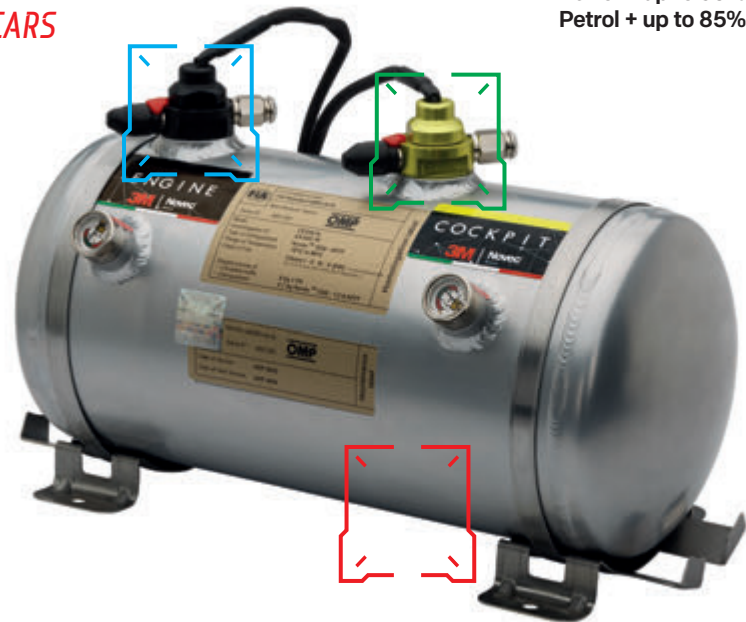
MANUFACTURER: OMP  
MODEL: CESAL5L  
HOM. NO.: EX.02319  
FIA STANDARD: FIA 8865-2015

"L" version suitable for medium-large sized cockpit.



**SALOON**  
LIGHTWEIGHT  
Ø 160MM

SUITABLE FOR DIESEL CARS



LIGHTWEIGHT ALUMINIUM

AFFF FOR THE ENGINE PROTECTION

NOVEC1230 FOR THE COCKPIT PROTECTION

**TECNICA COLLECTION**

Electrically activated system FIA 8865-2015 homologated, made in aluminum. The extinguisher can turn off the fire in few seconds injecting 2 different fire-extinguishing medium. AFFF (Black side) to protect the engine bay and the clean agent NOVEC1230 (Green side) to protect the cockpit. The system it's pressurized. 3 black nozzles are for the engine bay in order to protect the most critical and dangerous parts depending on the type of vehicle, 2 green nozzles are for the cockpit to ensure the driver protection. Fixing brackets, clamps, tubing and connections are included. Diameter 160mm.  
**Total weight:** 6 kg (bottle only)

**Homologated for use on:**

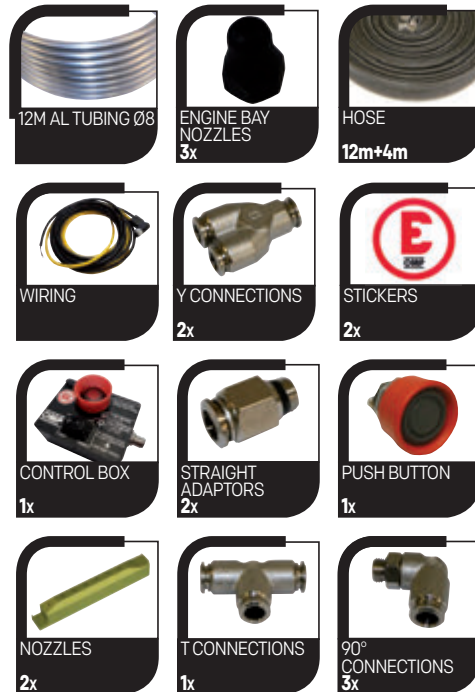
- Petrol (class I) - Diesel (class III)
- Petrol + up to 30% ethanol or methanol (E30) (class II)
- Petrol + up to 85% ethanol or methanol (E85) (class V)

**CEO-SAL5-B01**  
FROM 1.35 M<sup>3</sup> UP TO 2.5 M<sup>3</sup>



MANUFACTURER: OMP  
MODEL: CESAL5S  
HOM. NO.: EX.02319  
FIA STANDARD: FIA 8865-2015

"S" version suitable for small sized cockpit.



# CESAL5 DOUBLE BOTTLE

**CEO-SAL5-E01**



MANUFACTURER: OMP  
MODEL: CESAL5L  
HOM. NO.: EX.02319  
FIA STANDARD: FIA 8865-2015



**SALOON**  
DOUBLE BOTTLE  
Ø 160MM

SUITABLE FOR T5 DIESEL VEHICLE

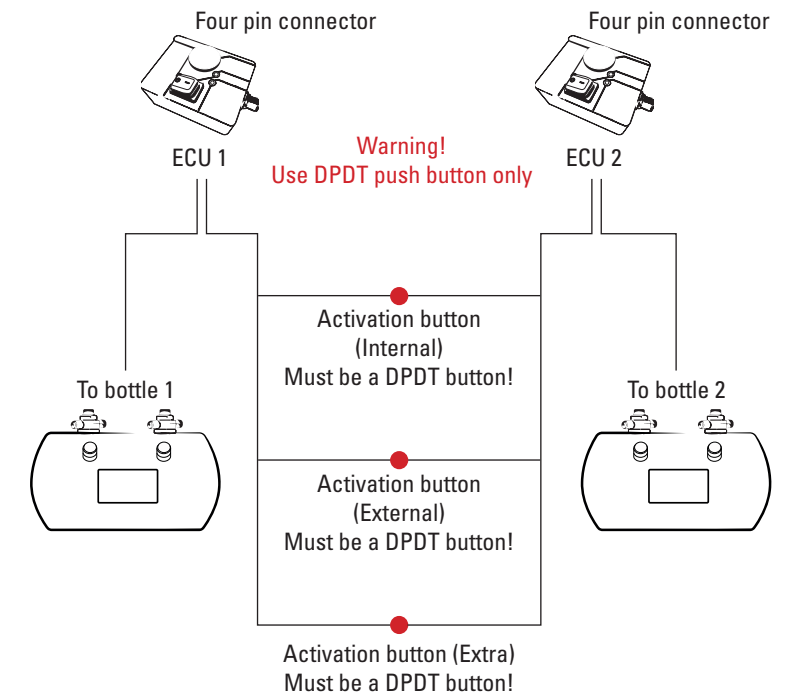


**TECNICA COLLECTION**

In some categories, two FIA 8865 2015 fire extinguisher system are required. (i.e. T1, T5 etc)  
CEO-SAL5-E01 is a double system suitable where 2 system are needed or for volume between 4.4 and 8.2 m<sup>3</sup>. Other customized systems for specific needs are available on request. For any request, including retrofit of single-bottle systems, contact Racing Force or an authorized dealer.

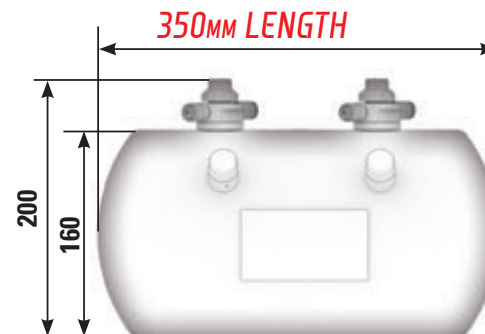
**Spares and retrofit**

- CD0-0423 electrical wiring and control unit
- CD0-0367 DPDT activation button



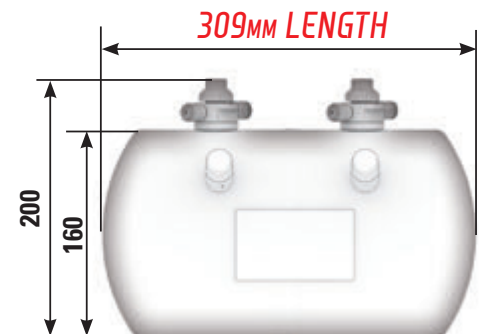
**TECNICA COLLECTION FIA 8865-2015 - CESAL5L**

Ref.	Extinguishant	Total weight*
CEO-SAL5-A01	2.7 kg Novec™ 1230 1.2 lt AFFF	6 kg

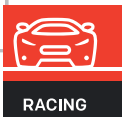


**TECNICA COLLECTION FIA 8865-2015 - CESAL5S**

Ref.	Extinguishant	Total weight*
CEO-SAL5-B01	1.7 kg Novec™ 1230 1.2 lt AFFF	6 kg



MEASUREMENTS IN MM







## CEO-SAL5-D01

FROM 2.2 M<sup>3</sup> UP TO 4.1 M<sup>3</sup>



MANUFACTURER: OMP  
MODEL: CESAL5L  
HOM. NO.: EX.026.21  
FIA STANDARD: FIA 8865-2021

"L" version suitable for medium-large sized cockpit.



**SALOON**  
LIGHTWEIGHT  
Ø 160MM

SUITABLE FOR ELECTRIC AND HYBRID CARS

Homologated for use on:  
Petrol - Electric/Hybrid cars (class I)



### TECNICA COLLECTION

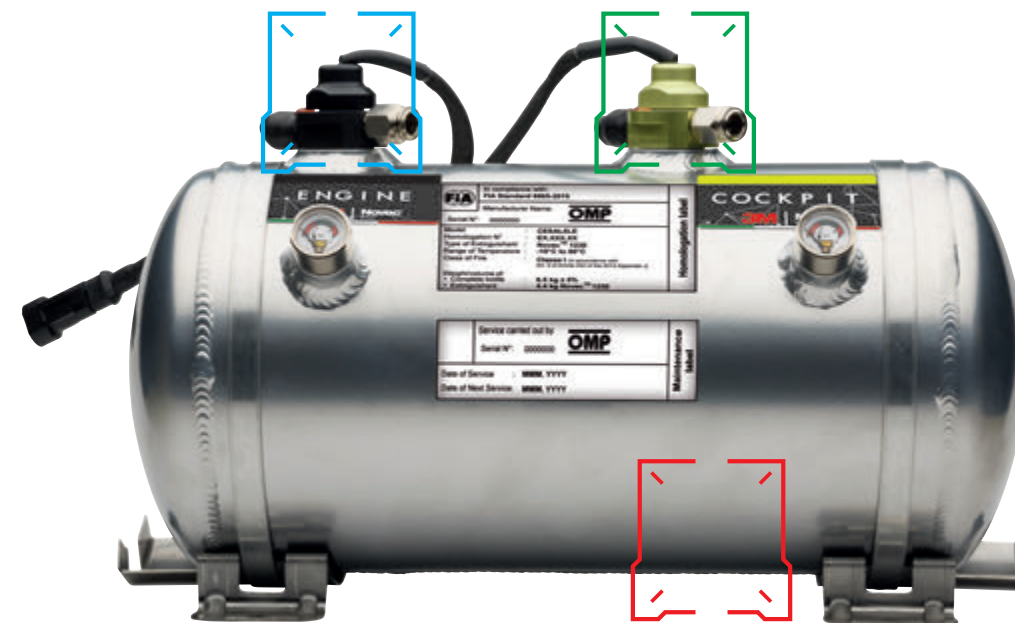
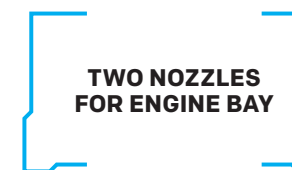
Full Novec1230<sup>®</sup> extinguishing system electrically activated, suitable for both electric and petrol cars.

Two nozzles for cockpit, two nozzles for engine bay, one nozzle for extra position / inverters (not use into the cockpit).

New control unit with dedicated low-battery alarm. Fixing brackets, clamps, tubing and connections are included. Diameter 160mm.

Extinguishant: Novec<sup>®</sup> 1230

Total weight: 6,5 kg (bottle only)



Fire Extinguishing System in compliance with FIA 8865-2015  
Designed for use with 3M Novec™ 1230 Fire Protection fluid.

## CEO-SAL5-C01

FROM 1.35 M<sup>3</sup> UP TO 2.5 M<sup>3</sup>



MANUFACTURER: OMP  
MODEL: CESAL5S  
HOM. NO.: EX.026.21  
FIA STANDARD: FIA 8865-2015

"S" version suitable for small sized cockpit.

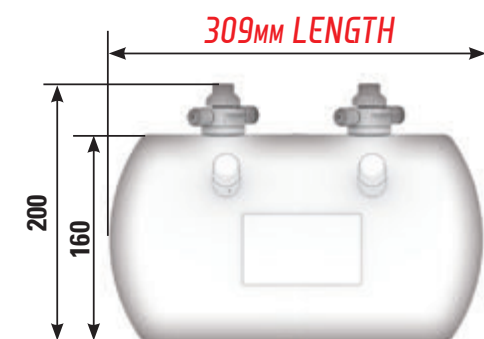
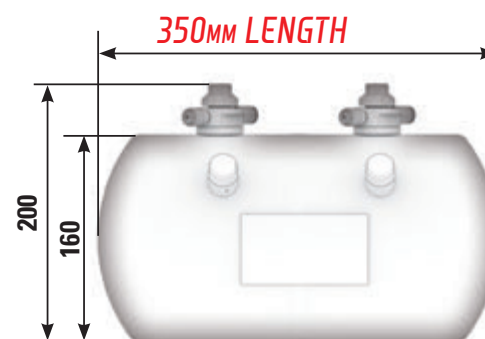


### TECNICA COLLECTION FIA 8865-2015 - CESAL5LE

Ref.	Extinguishant	Total weight*
CEO-SAL5-D01	2.7 kg Novec™ 1230	6,5 kg
	1.7 kg Novec™ 1230	

### TECNICA COLLECTION FIA 8865-2015 - CESAL5SE

Ref.	Extinguishant	Total weight*
CEO-SAL5-B01	1.7 kg Novec™ 1230	6,5 kg
	1.7 kg Novec™ 1230	



MEASUREMENTS IN MM



# CEFAL3

CEO-FAL3-A01



MANUFACTURER: OMP  
MODEL: ECOLIFE GOLD ONE SEAT  
HOM. NO. EX.036.11  
FIA STANDARD: FIA 2000

**PLATINUM COLLECTION**

Extinguisher system (engine compartment and cockpit) electrically activated, with control box, tubings, nozzles. Ultralight aluminium bottle with reduced dimensions.  
**Total weight:** 1,8 kg (with stainless steel brackets and clamps).



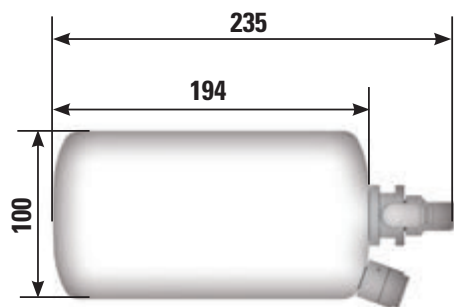
**FORMULA**  
ULTRALIGHT  
Ø 100mm

**THE SMALLEST  
IN THE WORLD**



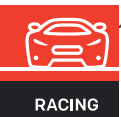
**PLATINUM COLLECTION FIA 2000**

Ref.	Extinguishant	Empty (kg)	Total weight*
CEO-FAL3-A01	0.9 lt Ecolife	0.4	1.8 kg



3 WAY CONNECTIONS 2 ø8	6-8 REDUCTION 1x	PUSH BUTTON 1x	NOZZLES 6x
5M AL TUBING 1 ø8	3M AL TUBING 1 ø6	STICKERS 2x	CONTROL BOX 1x
HOSE 1 ø8 1 ø6	WIRING HARNESSES 1x	T CONNECTIONS 3 ø8	90° CONNECTIONS 2 ø8 1 ø6

MEASUREMENTS IN MM



# CESAL3

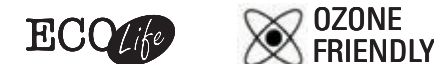
CEO-SAL3-A01



MANUFACTURER: OMP  
MODEL: ECOLIFE GOLD SALOON  
HOM. NO. EX.035.11  
FIA STANDARD: FIA 2000

**PLATINUM COLLECTION**

Extinguisher system (engine compartment and cockpit) electrically activated, with control box, tubings, nozzles. New ultralight aluminium bottle with reduced dimensions.  
**Total weight:** 2,5 kg (with stainless steel brackets and clamps).

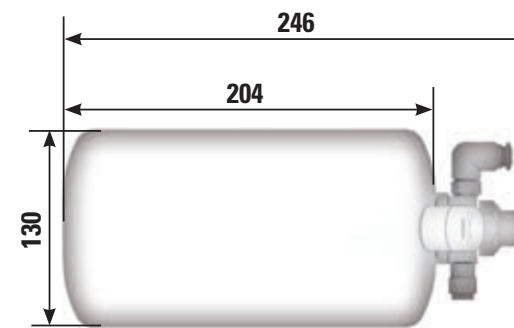


**SALOON**  
ULTRALIGHT  
Ø 130mm



**PLATINUM COLLECTION FIA 2000**

Ref.	Extinguishant	Empty (kg)	Total weight*
CEO-SAL3-A01	1.3 lt Ecolife	0.7	2.5 kg



3 WAY CONNECTIONS 2 ø8	6-8 REDUCTION 1x	PUSH BUTTON 1x	NOZZLES 6x
5M AL TUBING 1 ø8	3M AL TUBING 1 ø6	STICKERS 2x	CONTROL BOX 1x
HOSE 1 ø8 1 ø6	WIRING HARNESSES 1x	T CONNECTIONS 3 ø8	90° CONNECTIONS 2 ø8 1 ø6

MEASUREMENTS IN MM





# CESAL3R

CEO-SAL3-B01



**PLATINUM COLLECTION**

Extinguisher system (engine compartment and cockpit) electrically activated, with control box, tubings, nozzles, aluminium bottle.

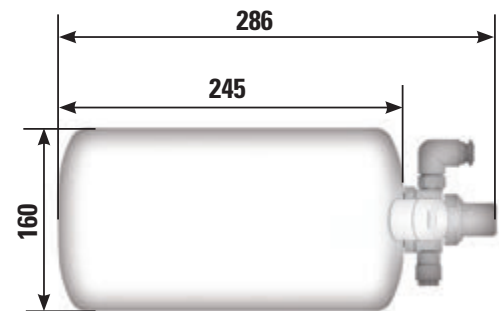
**Total weight:** 4,3 kg (with stainless steel brackets and clamps)



**SALOON**  
SPECIAL FOR RALLY  
Ø 160MM



PLATINUM COLLECTION FIA 2000 - CESAL3R			
Ref.	Extinguishant	Empty (kg)	Total weight*
CEO-SAL3-B01	2.8 lt Ecolife	0.94	4.3 kg



MEASUREMENTS IN MM

3 WAY CONNECTIONS 2 Ø8	6-8 REDUCTION 1x	PUSH BUTTON 1x	NOZZLES 6x
5M AL TUBING 1 Ø8	3M AL TUBING 1 Ø6	STICKERS 2x	CONTROL BOX 1x
HOSE 1 Ø8 1 Ø6	WIRING HARNESSES 1x	T CONNECTIONS 3 Ø8	90° CONNECTIONS 2 Ø8 1 Ø6

# CEFAL2

CEO-FAL2-A01



**WHITE COLLECTION**

Extinguisher system (engine compartment and cockpit) electrically activated, with control box, tubings, nozzles, aluminium bottle.

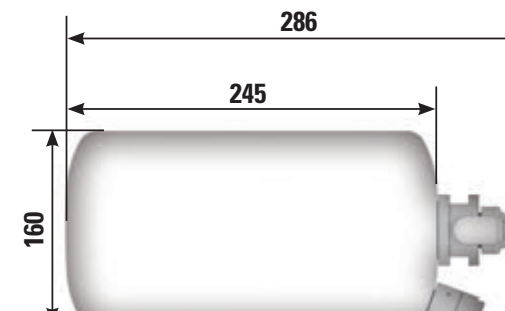
**Total weight:** 4,3 kg (with stainless steel brackets and clamps).



**FORMULA**  
Ø 160MM



WHITE COLLECTION FIA 2000 - CEFAL2			
Ref.	Extinguishant	Empty (kg)	Total weight*
CEO-FAL2-A01	2.8 lt Ecolife	0.94	4.3 kg



MEASUREMENTS IN MM

3 WAY CONNECTIONS 2 Ø8	6-8 REDUCTION 1x	PUSH BUTTON 1x	NOZZLES 6x
5M AL TUBING 1 Ø8	3M AL TUBING 1 Ø6	STICKERS 2x	CONTROL BOX 1x
HOSE 1 Ø8 1 Ø6	WIRING HARNESSES 1x	T CONNECTIONS 3 Ø8	90° CONNECTIONS 2 Ø8 1 Ø6



# CESAL2

CEO-SAL2-A01



MANUFACTURER: OMP  
MODEL: ECOLIFE  
HOM. NO. EX.008.00  
FIA STANDARD: FIA 2000

**WHITE COLLECTION**

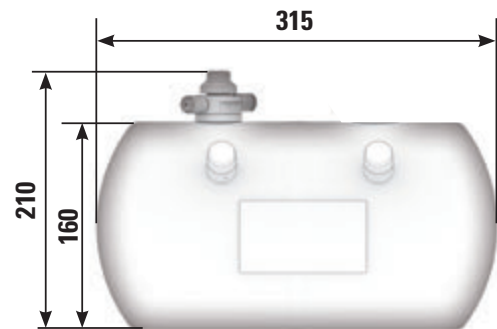
Extinguisher system (engine compartment and cockpit) electrically activated, with control box, tubings, nozzles, aluminium bottle.  
**Total weight:** 6,2 kg  
(with stainless steel brackets and clamps).



**SALOON**  
Ø 160MM



WHITE COLLECTION FIA 2000 - CESAL2			
Ref.	Extinguishant	Empty (kg)	Total weight*
CEO-SAL2-A01	4.5 lt Ecolife	1.3	6.2 kg



MEASUREMENTS IN MM



# CMSST1

CM0-SST1-A01



MANUFACTURER: OMP  
MODEL: ECOLIFE  
HOM. NO. EX.008.00  
FIA STANDARD: FIA 2000

**BLACK COLLECTION**

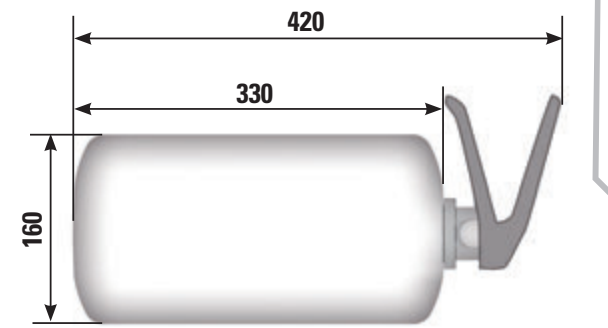
Extinguisher system (engine compartment and cockpit) mechanically activated, complete with tubings, nozzles, steel bottle.  
**Total weight:** 8,1 kg  
(with stainless steel brackets and clamps).



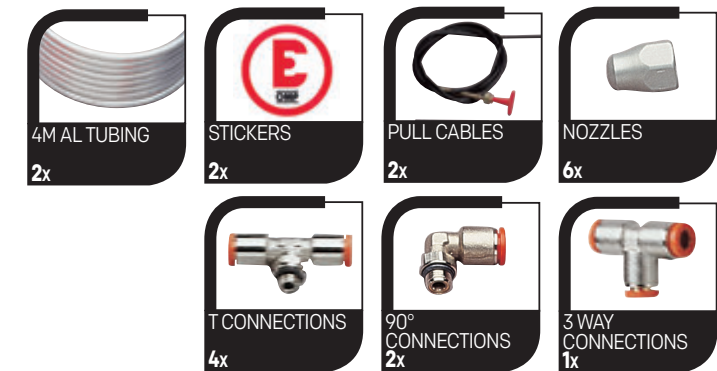
**SALOON**  
Ø 160MM



BLACK COLLECTION FIA 2000 - CMSST1			
Ref.	Extinguishant	Empty (kg)	Total weight*
CM0-SST1-A01	4.25 lt Ecolife	3.4	8.1 kg



MEASUREMENTS IN MM





# CESST1

CEO-SST1-A01



MANUFACTURER: OMP  
MODEL: ECOLIFE  
HOM. NO. EX.008.00  
FIA STANDARD: FIA 2000

**BLACK COLLECTION**

Extinguisher system (engine compartment and cockpit) electrically activated, with control box, tubings, nozzles, steel bottle.

**Total weight:** 7,7 kg  
(with stainless steel brackets and clamps).

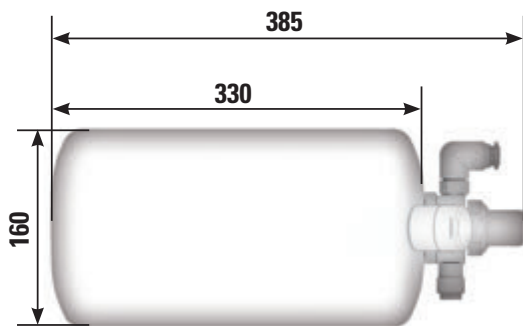


**SALOON**  
SPECIAL FOR RALLY  
Ø 160mm



**BLACK COLLECTION FIA 2000 - CESST1**

Ref.	Extinguishant	Empty (kg)	Total weight*
CEO-SST1-A01	4.5 lt Ecolife	2,4	7,7 kg



MEASUREMENTS IN MM

HOSE 1 Ø8 - 1 Ø6	4M AL TUBING 2x	STICKERS 2x	CONTROL BOX 1x
PUSH BUTTON 1x	NOZZLES 6x	1x WIRING HARNESSES	T CONNECTIONS 4x
90° CONNECTIONS 2x	3 WAY CONNECTIONS 1x		

# CMFST1

CM0-FST1-A01



MANUFACTURER: OMP  
MODEL: ECOLIFE  
HOM. NO. EX.009.00  
FIA STANDARD: FIA 2000

**BLACK COLLECTION**

Extinguisher system (engine compartment and cockpit) mechanically activated, tubings, nozzles, steel bottle.

**Total weight:** 5,6 kg  
(with stainless steel brackets and clamps).

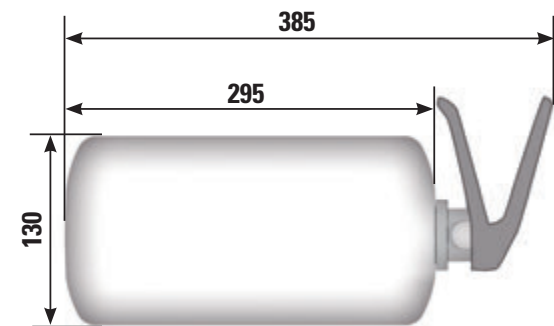


**FORMULA**  
Ø 130mm



**BLACK COLLECTION FIA 2000 - CMFST1**

Ref.	Extinguishant	Empty (kg)	Total weight*
CM0-FST1-A01	2.8 lt Ecolife	1,97	5,6 kg



MEASUREMENTS IN MM

4M AL TUBING 2x	STICKERS 2x	PULL CABLES 2x	NOZZLES 5x
T CONNECTIONS 3x	90° CONNECTIONS 2x	3 WAY CONNECTIONS 1x	



# OMP SPORT

CA0-0372-A01



**OMP SPORT**  
Extinguisher system (engine compartment and cockpit) mechanically activated, complete with tubings, nozzles, steel bottle.  
**Total weight:** 8,1 kg (with stainless steel brackets and clamps).



**SALOON**  
Ø 160MM



CB0-0323-A01

IN COMPLIANCE WITH FIA RULES

**SUITABLE FOR ELECTRIC AND HYBRID CARS**  
Ø 130MM



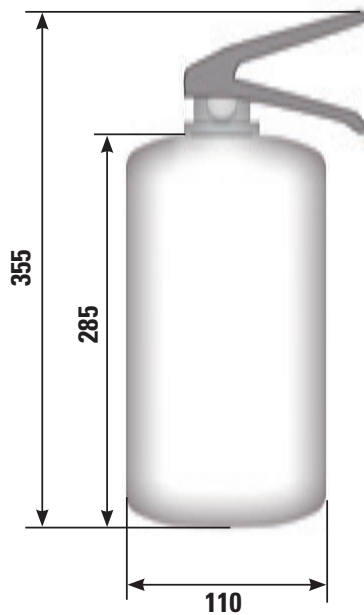
**STAINLESS STEEL EXTINGUISHER**  
Hand held fire extinguisher complete with brackets and quick release clamps. STAINLESS STEEL bottle. Extinguishing medium: 2 Kg of **3M Novec™** 1230. In compliance with FIA App. J art. 253. Compare to AFFF fire extinguisher system this NOVEC bottle is smaller and lighter.

**Total weight:** 3,15 kg



**HAND HELD EXTINGUISHER**

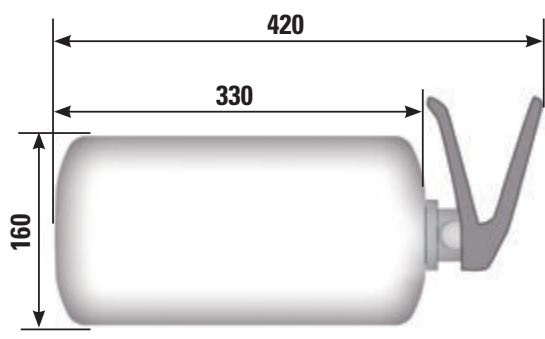
Ref.	Extinguishant	Empty (kg)	Total weight*
CB0-0323-A01	2 lt Novec	1.15	3.15 kg



MEASUREMENTS IN MM

**OMP SPORT FIA 2000 - OMP SPORT**

Ref.	Extinguishant	Empty (kg)	Total weight*
CA0-SST1-A01	4.25 lt Ecolife	2.4	8.1 kg



MEASUREMENTS IN MM

- 4M AL TUBING  
2x
- STICKERS  
2x
- WIRING HARNESSSES  
1x
- NOZZLES  
5x
- T CONNECTIONS  
4x
- 90° CONNECTIONS  
2x
- 3 WAY CONNECTIONS  
1x
- ANTI-TORPEDO TABS  
2x





# HAND HELD EXTINGUISHER

**CB0-0316-A01**



**ALUMINIUM EXTINGUISHER** EN3

Aluminium hand held extinguisher, 2kg powder. Complete with stainless steel brackets and quick release calmps.

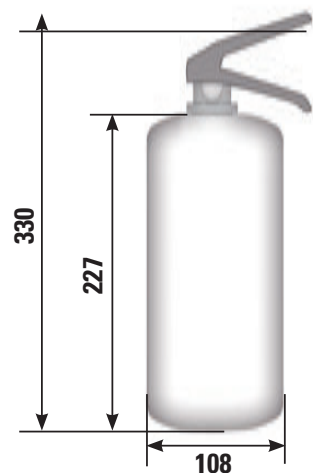
**Total weight:** 3,1 kg

**Ø 108MM**



**HAND HELD EXTIGUISHER**

Ref.	Extinguishant	Empty (kg)	Total weight*
CB0-0316-A01	2 kg powder	0.7	3.1 kg



MEASURE IN MM

# HAND HELD EXTINGUISHER

**CB0-0319-A01**

IN COMPLIANCE WITH FIA RULES



**STEEL STEEL EXTINGUISHER**

Steel hand held extinguisher, 2,4 l Ecolife. Complete with aluminium brackets and stainless steel quick release calmps.

**Total weight:** 5 kg

**Ø 132MM**

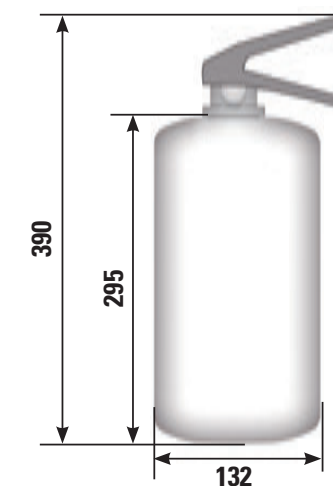
CB0-0319-A01-071  
black

CB0-0319-A01-061  
red



**HAND HELD EXTIGUISHER**

Ref.	Extinguishant	Empty (kg)	Total weight*
CB0-0319-A01	2.4 kg powder	2.15	5 kg



MEASURE IN MM

# HAND HELD EXTINGUISHER

**CB0-0322-A01**



**STEEL EXTINGUISHER** EN3

Steel hand held extinguisher, 4kg powder, A/B/C classes. Complete with stainless steel brackets and quick release calmps.

**Total weight:** 6 kg

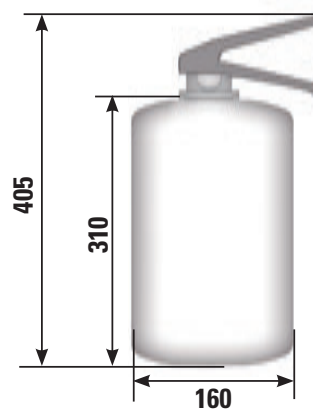
**Ø 160MM**



ANTI-TORPEDO TABS  
2x

**HAND HELD EXTIGUISHER**

Ref.	Extinguishant	Empty (kg)	Total weight*
CB0-0322-A01	4 kg powder	2.5	6 kg



MEASURE IN MM

**CB0-0351-A01**

IN COMPLIANCE WITH FIA RULES



**ALUMINIUM EXTINGUISHER**

Aluminium hand held extinguisher, 2,4 l Ecolife. Complete with stainless steel brackets and stainless steel quick release calmps.

**Total weight:** 4 kg

**Ø 130MM**

CB0-0351-A01-020  
white

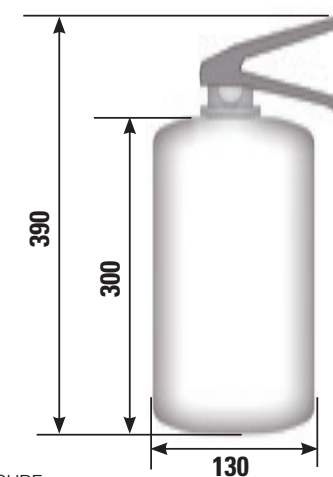
CB0-0351-A01-061  
red

CB0-0351-A01-003  
silver



**HAND HELD EXTIGUISHER**

Ref.	Extinguishant	Empty (kg)	Total weight*
CB0-0351	2.4 kg powder	1.15	4 kg



MEASURE IN MM

# HAND HELD EXTINGUISHER



# REPLACEMENT PARTS

## ONE - TECNICA COLLECTIONS

**CD0-0415**

90° end connection, 1/8" with quick attachments. Ø 8mm



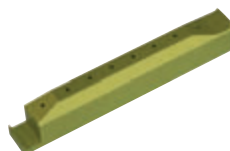
**CD0-0417**

Fixing brackets with clamps for 160mmØ. Anti-torpedo.



**CD0-0410**

Nozzle (cockpit) specifically for CESAL4



**CD0-0393-A02**

Atomizer nozzle (engine bay) specifically for Ecolife systems.



**CD0-0408**

Fixing brackets with clamps for 130mmØ. Anti-torpedo. (no picture)

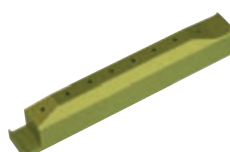
**CD0-0409**

Cockpit nozzle fixing bracket (for CD/410)



**CD0-0411**

Nozzle (cockpit) specifically for CESAL5



**XMC-CAB-360E**

Control box cable.



**CD0-0416**

Straight connection, 1/8" with quick attachments. Ø 8mm



**CD0-0412**

"T" shaped 3-way connection, 1/8" with quick attachments. Ø 8mm



**XMC-363-E-CAV**

Electric extinguisher valve cable w. jack.



**CD0-0414**

"Y" shaped connection, 1/8" with quick attachments. Ø 8mm



**CD0-0323-A01**

Aluminium tubing. Ø 8 mm L 4 m



**CD0-0324-A01**

Fire resistant sheath 5 m roll, Ø 10 mm (or Ø 8mm ref. CD/324/8/N).



**CD0-0324-A02**

Fire resistant sheath 5m roll Ø 6mm



**CD0-0453**

Remote controller for ECU CD0-0380-A02/A04/A06/A08



**CD0-0430**

Wiring for remote ECU CD0-0380-A02 A04 A06 A08 C.



**CD0-0436**

Wiring for Classic ECU CD0-0380-A01 A03 A05 A07



**CD0-0431**

M5 extension (for activation button CD0-0432 and remote controller CD0-0453).



**CD0-0433**

Extension to connect the bottle with AMP connector.



**CD0-0432-A01**  
Length 50 cm

**CD0-0432-A02**  
Length 150 cm

M12 Activation button with M5 connector



**CD0-0435**

"Y" M5 connector to connect more activations buttons CD0-0432



**CD0-0441**

Protection for M12 activation button CD0-0432



**CD0-0360**

Control box for electrically activated extinguishing systems. With new advanced electronic unit FIA 8865-2015 homologated. IP55 waterproof standard certified.



**CD0-0360-SP**

Control box for extinguishing system - no activation button

## PLATINUM COLLECTION

**CD0-0395-A02**

Straight connection Ø 8 mm (1/8" junction).



**CD0-0392-A02**

1/8" connection, "T" shaped with quick couplings. Ø 8 mm



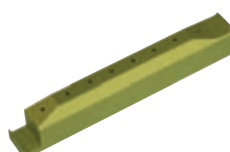
**CD0-0392-A03**

1/8" connection, "T" shaped with quick couplings. Ø 6 mm



**CD0-0411**

Nozzle (cockpit) specifically for CESAL5



**XMC-CAB-360E**

Control box cable.



**CD0-0416**

Straight connection, 1/8" with quick attachments. Ø 8mm



**CD0-0390-B01**

3-way connection with quick attachments, Ø 8 mm.



**CD0-0399**

Reduction tube Ø 6-8 mm.



**CD0-0391-A02**

90° end connection, 1/8" shaped with quick attachments. Ø 8 mm



**CD0-0412**

"T" shaped 3-way connection, 1/8" with quick attachments. Ø 8mm



**XMC-363-E-CAV**

Electric extinguisher valve cable w. jack.



**CD0-0414**

"Y" shaped connection, 1/8" with quick attachments. Ø 8mm



**CD0-0391-A03**

90° end connection, 1/8" shaped with quick attachments. Ø 6 mm



**CD0-0323-B02**

Aluminium tubing Ø 8 mm - L. 5 m



**CD0-0323-B01**

Aluminium tubing Ø 6 mm - L. 3 m



**CD0-0323-A01**

Aluminium tubing. Ø 8 mm L 4 m



**CD0-0324-A01**

Fire resistant sheath 5 m roll, Ø 10 mm (or Ø 8mm ref. CD/324/8/N).



**CD0-0324-A02**

Fire resistant sheath 5m roll Ø 6mm



**CD0-0400-B01**

Antitorpedo bracket and clamps for CEFAL3. (no picture)

**CD0-0401-B01**

Antitorpedo bracket and clamps for CESAL3. (no picture)

**CD0-0407**

Y shaped connection with quick attachments Ø 8mm



## PLATINUM / WHITE / BLACK COLLECTIONS

**CD0-0393-A01**

Atomiser nozzle specifically for Ecolife systems to be threaded onto "T" or "L" connectors.



**CD0-0398**

Control box for electrically activated units with wiring harness 1,5 m



**CD0-0324-A01**

Fire resistant sheath 5 m roll, Ø 10 mm (or Ø 8mm ref. CD/324/8/N).



**CD0-0431**

M5 extension (for activation button CD0-0432 and remote controller CD0-0453).



**CD0-0433**

Extension to connect the bottle with AMP connector.



**CD0-0432-A01**  
Length 50 cm

**CD0-0432-A02**  
Length 150 cm

M12 Activation button with M5 connector



**XMC-363-E-CAV**

Electric extinguisher valve cable w. jack.



**XMC-398-CAV**

Control box cable.





**BLACK COLLECTION**

**CD0-0335**

Pull cable for mechanically operated systems.



**WHITE / BLACK COLLECTIONS / OMP SPORT**

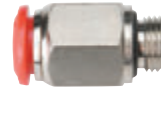
**CD0-0394**

Straight connection (1/4" junction).



**CD0-0395-A01**

Straight connection (1/8" junction).



**CD0-0392-A01**

1/8" connection, "T" shaped with quick couplings.



**CD0-0391-A01**

90° end connection, 1/8" shaped with quick attachments.



**CD0-0390-A01**

3-way connection with quick attachments.



**CD0-0323-A01**

Aluminium tubing ø 8 mm 4 m



**CD0-0404**

Bracket only for OMP Sport CA/372 (no picture)

**ONE / TECNICA / PLATINUM / WHITE / BLACK COLLECTIONS**

**XMC-855**

Sticker.



**XMC-181493**

Rubber protection ring for push button EA/467



**EA0-0467**

Water-proof push button for external control.



**HAND HELD EXTINGUISHERS**

**CD0-0309**

Brackets for STEEL HAND HELD extinguishers Ecolife: CAB/319, ø 132 mm



**CD0-0356**

Bracket for ALUMINIUM HAND HELD extinguisher: CBB/351 ø 130 mm



**CD0-0418**

Brackets for stainless steel extinguisher Hand held CAB/323. (no picture)

**CD0-0405**

Bracket for STEEL extinguisher CAB/322, ø 160 mm (no picture)

**CD0-0311-A01**

Anti-torpedo tabs for double brackets extinguishers.



**CD0-0300-A01**

Anti-torpedo tabs for mono brackets extinguishers (e.g. CEFAL3).



**CD0-0312**

Brackets for STEEL HAND HELD extinguishers Ecolife: CAB/316, ø 108 mm (no picture)







# STEERING WHEELS



# 320 HYBRID S

ODO-2048



**SUPER PROFESSIONAL RALLY STEERING WHEEL**  
 Flat steering wheel made with a new exclusive composite technology (carbon fiber and Dyneema®) 300% more resistant than the carbon steering wheel and 20% lighter. Supplied with horn button. Prepared to install 4 buttons (not included) Realized and developed in cooperation with 4 time WRC world champion Volkswagen Motorsport.



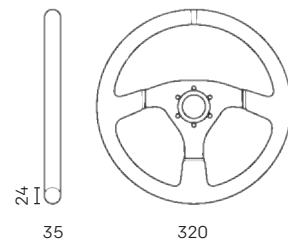
**CARBON FIBER AND DYNEEMA®**  
 FLAT  
 SUPPLIED WITH HORN BUTTON



- 1** suede leather
- 2** carbon DYNEEMA®

**OVER 20% LIGHTER**  
**300% MORE RESISTANT**

IN COMPARISON WITH CARBON VERSION



Diameter: 320 mm  
 Handgrip: oval 35x24 mm

# 310 ALU GT

ODO-2044

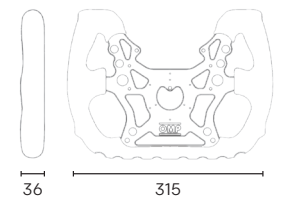


**SUPERLIGHT PROFESSIONAL GT STEERING WHEEL**  
 Completely made in aluminium and suede leather. Studied and ready for the installation of most popular electronic display like: MoTec C125 and AiM MXL

ALUMINIUM  
 FLAT



- 1** suede leather
- 2** no stitching
- 3** Italian flag colored stitching



Diameter: 315 mm  
 Handgrip: oval 36x30 mm



# 320 CARBON S

# 350 CARBON D

ODO-2032



**SUPERLIGHT PROFESSIONAL STEERING WHEEL**  
Carbon steering wheel manufactured as one integral piece.

ODO-2028



**SUPERLIGHT PROFESSIONAL DISHED STEERING WHEEL**  
Carbon steering wheel manufactured as one integral piece.

CARBON FIBER

FLAT

SUPPLIED WITH HORN BUTTON

**50% LIGHTER  
15% MORE RESISTANT**  
IN COMPARISON WITH STANDARD VERSION

CARBON FIBER

DISHED

SUPPLIED WITH HORN BUTTON

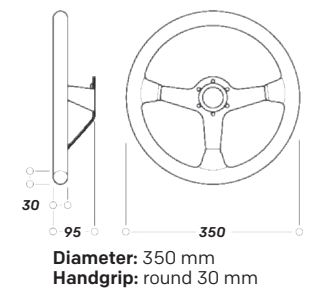
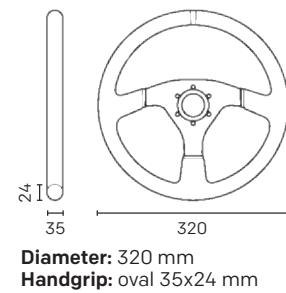
**50% LIGHTER  
15% MORE RESISTANT**  
IN COMPARISON WITH STANDARD VERSION



- 1** suede leather
- 2** black stitching
- 3** carbon made spokes

- 1** suede leather
- 2** black stitching
- 3** carbon made spokes

DESIGNED IN COOPERATION WITH P. SOLBERG





# 320 ALU SP

# 320 ALU RALLY

ODO-2042-A02



**LIGHT PROFESSIONAL STEERING WHEEL**  
 Made completely in aluminium and suede leather. Preforated version with central hole supplied with horn button. This version has been derived from the model 320 Carbon S, which has been designed in cooperation with P. Solberg (FIA World RX 2014/21015 Winner).

ALUMINIUM  
 FLAT  
 SUPPLIED WITH HORN BUTTON



- 1** red buttons for controlling two separate accessory switches (e. g. one horn and the other for high beams)
- 2** suede leather
- 3** no stitching
- 4** black anodized spokes

ODO-2042-A03



**THREE SPOKES FLAT ALUMINIUM STEERING WHEEL IN SUEDE LEATHER.**  
 Shaped handgrip and spokes to improve driving feeling and comfort. Lightweight materials. **Designed in cooperation with Skoda Motorsport.**

ALUMINIUM  
 FLAT  
 SUPPLIED WITH HORN BUTTON



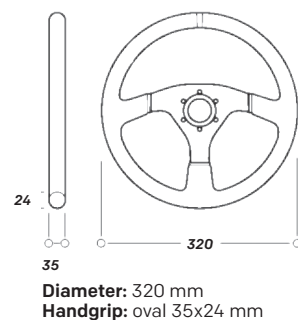
- 1** suede leather
- 2** no stitching
- 3** black anodized spokes
- 4** shaped ergonomic

**NEW**

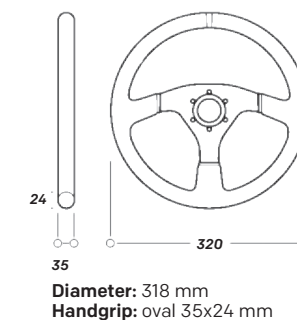
## 320 ALU S

ODO-2042-A01

Same characteristics as ODO-2042-A02. **Without central horn button.**



**DESIGNED IN COOPERATION WITH ŠKODA MOTORSPORT**, relying over the years on feedback from rally stars such as Kalle Rovanperä





## ODO-2046



### SUPERLIGHT PROFESSIONAL RALLY STEERING WHEEL

Flat steering wheel, in aluminium, 350 mm diameter, round 30 mm handgrip. With colored marks on the crown to indicate steering wheel angles (0° - 25° - 55° - 100° - 160°) for rally notes.

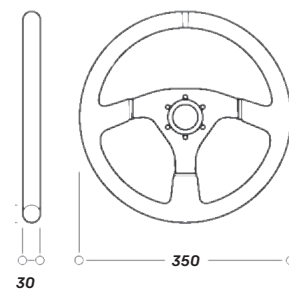
ALUMINIUM

FLAT

SUPPLIED WITH HORN BUTTON



- 1** suede leather
- 2** black stitching
- 3** colored marks



Diameter: 350 mm  
Handgrip: round 30 mm

## ODO-2020



MADE COMPLETELY FROM ALUMINIUM 40% lighter than equivalent model Velocità OD/1958.

ALUMINIUM

FLAT

SUPPLIED WITH HORN BUTTON



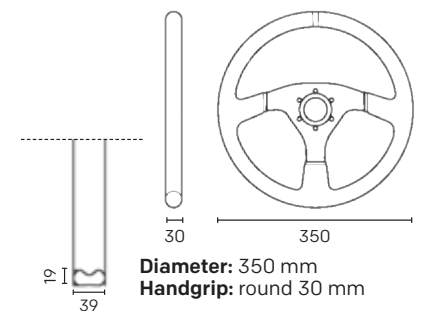
- 1** suede leather
- 2** black stitching
- 3** black anodized spokes

**40% LIGHTER**  
IN COMPARISON WITH STANDARD VERSION

## VELOCITÀ OV SUPERLEGGERO

### ODO-2035

Same characteristics as ODO-2020.  
Oval section version.  
Diameter: 320 mm



Diameter: 350 mm  
Handgrip: round 30 mm



## ODO-2021



**LIGHT PROFESSIONAL STEERING WHEEL**  
 Made completely in aluminium.  
 40% lighter than equivalent model Corsica ODO-1954.

**ALUMINIUM**  
 FLAT  
 SUPPLIED WITH  
 HORN BUTTON

**40% LIGHTER**  
 IN COMPARISON  
 WITH STANDARD VERSION



- 1** suede leather
- 2** black stitching
- 3** black anodized spokes

## CORSICA OV SUPERLEGGERO

### ODO-2034

Same features as ODO-2021  
**OVAL HANDGRIP SHAPED**



## ODO-1954



**PROFESSIONAL STEERING WHEEL**  
 Made in aluminium and steel.

### ODO-1956

DISHED  
 SUPPLIED WITH  
 HORN BUTTON



**ODO-1954-073**  
 In suede leather.  
 Black anodized spokes.  
 Red stitching.

#### SUEDE LEATHER



**ODO-1954-371**  
 In suede leather.  
 Titanium colour anodized spokes.  
 Yellow stitching.



**ODO-1954-071**  
 In suede leather.  
 Black anodized spokes.  
 Yellow stitching.



**ODO-1954-075**  
 In suede leather.  
 Blue anodized spokes.  
 Yellow stitching.

#### SMOOTH LEATHER



**ODO-1956-073**  
 In smooth leather.  
 Black anodized spokes.  
 Red stitching.



**ODO-1956-071**  
 In smooth leather.  
 Black anodized spokes.  
 Yellow stitching.

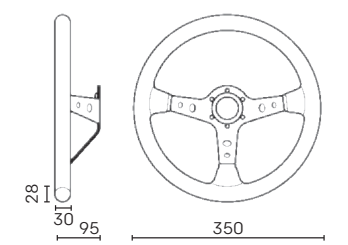


**ODO-1956-371**  
 In smooth leather.  
 Gray anodized spokes.  
 Yellow stitching.

## CORSICA 330

### ODO-2012

In suede leather.  
 Black anodized spokes.  
 Yellow stitching.  
**Diameter: 330 mm**



**Diameter: 350 mm**  
**Handgrip: oval 30x28 mm**  
**Depth: 95 mm**





# RALLY

# WRC

**ODO-1950**

**ODO-1951**



**PROFESSIONAL STEERING WHEEL**  
Made of aluminium and steel.

DISHED

SUPPLIED WITH  
HORN BUTTON



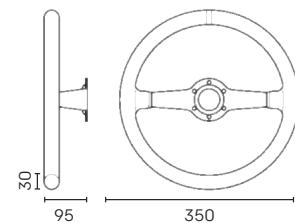
**ODO-1951-240**  
In suede leather.  
Blue anodized spokes.  
No stitching.



**ODO-1951-071**  
In suede leather.  
Black anodized spokes.  
Yellow stitching.



**ODO-1950-071**  
In smooth leather.  
Black anodized spokes.  
Yellow stitching.



**Diameter:** 350 mm  
**Handgrip:** round 30 mm  
**Depth:** 95 mm

**ODO-1979**

**ODO-1980**



**PROFESSIONAL STEERING WHEEL**  
Made of aluminium and steel.

MID-DEPTH DISHED  
SUPPLIED WITH  
HORN BUTTON



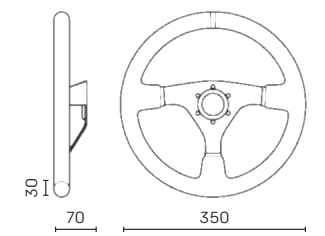
**ODO-1979-071**  
In suede leather.  
Black anodized spokes.  
Black stitching.



**ODO-1980-071**  
In suede leather.  
Black anodized spokes.  
Yellow stitching.



**ODO-1980-073**  
In smooth leather.  
Black anodized spokes.  
Red stitching.



**Diameter:** 350 mm  
**Handgrip:** round 30 mm  
**Depth:** 70 mm



## ODO-2055

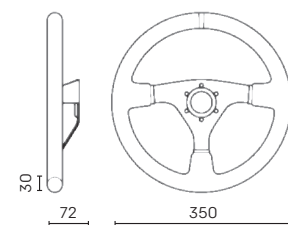


**ENTRY LEVEL STEERING WHEEL**  
Tree aluminium spokes, round grip in suede leather.

MID-DEPTH DISHED  
SUPPLIED WITH  
HORN BUTTON



- 1** suede leather
- 2** black stitching
- 3** aluminium spokes
- 4** yellow viewfinder



**Diameter:** 350 mm  
**Handgrip:** round 30 mm  
**Depth:** 72 mm

## ODO-1957



## ODO-1958

FLAT  
SUPPLIED WITH  
HORN BUTTON

## VELOCITÀ 380



**ODO-2030-071**  
smooth leather.  
Black anodized spokes.  
Black stitching.



**ODO-1987-071**  
In suede leather.  
Black anodized spokes.  
Black stitching.

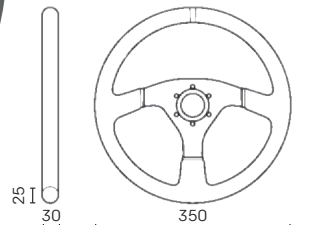


**ODO-1957**  
In smooth leather.  
Black anodized spokes.  
Yellow stitching.

**Handgrip:**  
oval 35x30 mm



**ODO-1958**  
In suede leather.  
Black anodized spokes.  
Black stitching.



**Diameter:** 350 mm  
**Handgrip:** oval 30x25 mm

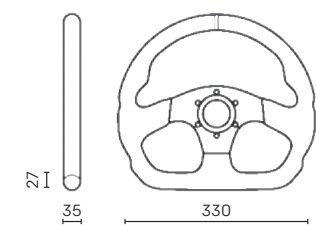
# SUPERQUADRO

## ODO-1990



FLAT  
SUPPLIED WITH  
HORN BUTTON

- 1** suede leather
- 2** black stitching
- 3** black anodized spokes



**Diameter:** 330x290 mm  
**Handgrip:** oval 35x27 mm



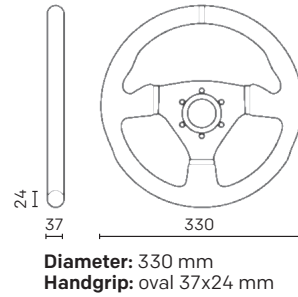
# TARGA

ODO-2005



FLAT  
SUPPLIED WITH HORN BUTTON

- 1** suede leather
- 2** black stitching
- 3** black anodized spokes



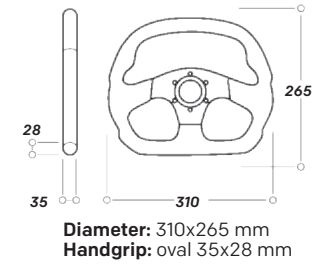
# KUBIC

ODO-1985



FLAT  
SUPPLIED WITH HORN BUTTON

- 1** suede leather
- 2** black stitching
- 3** black anodized spokes



# TRECENTO

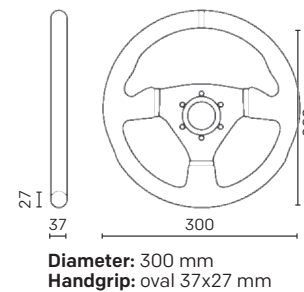
ODO-1975



ODO-1957-071  
In suede leather.  
Black anodized spokes.  
Yellow stitching.

ODO-1976

FLAT  
SUPPLIED WITH HORN BUTTON

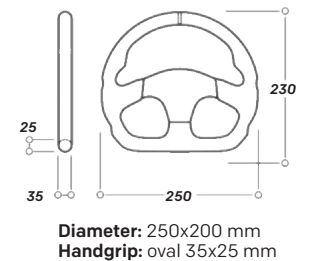


ODO-1972



SINGLE SEATER

- 1** suede leather
- 2** black stitching
- 3** black anodized spokes



# FORMULA QUADRO



# FOCUS ON



# MUGELLO



### COUNTERFEIT STEERING WHEELS ARE A REAL THREAT TO YOUR SAFETY

But how can we sort out a genuine OMP steering wheel from a fake?

#### BEWARE OF

Too low prices / Altered OMP logo / Unofficial dealers  
Models or colors that you can't find on OMP catalog or website

#### OMP HOLOGRAM

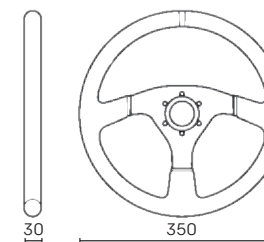
Example of an anti-counterfeiting hologram applied on rear spokes

Every OMP steering wheel is marked with an anti-counterfeiting hologram that certifies the authenticity and the quality of OMP products

### ODO-2023

FLAT

SUPPLIED WITH HORN BUTTON



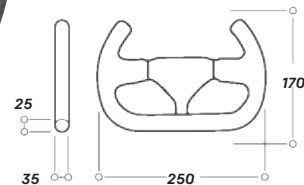
Diameter: 350 mm  
Handgrip: 30 mm

# INDY OPEN

### ODO-2017



SINGLE SEATER

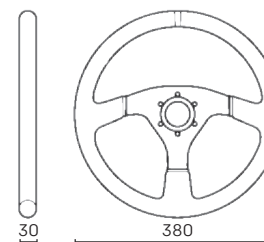


Diameter: 250x170 mm  
Handgrip: oval 35x25 mm

### ODO-2031

FLAT

SUPPLIED WITH HORN BUTTON



Diameter: 380 mm  
Handgrip: 30 mm

- 1** suede leather
- 2** black stitching
- 3** black anodized spokes

- 1** black stitching
- 2** black anodized spokes





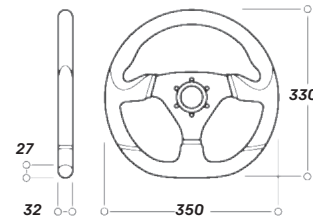
# CROMO

ODO-2018

FLAT

SUPPLIED WITH HORN BUTTON

- 1** smooth leather
- 2** perforated leather inserts
- 3** chrome spokes



Diameter: 350 mm  
Handgrip: oval 32x27 mm

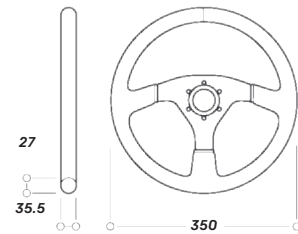
# ASSO

ODO-2019

FLAT

SUPPLIED WITH HORN BUTTON

- 1** smooth leather
- 2** chrome spokes



Diameter: 350 mm  
Handgrip: oval 35,5x27 mm

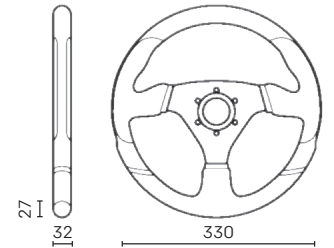
# RACING GP

ODO-1981

FLAT

SUPPLIED WITH HORN BUTTON

- 1** polyurethane
- 2** black stitching
- 3** black anodized spokes
- 4** simulating perforated leather



Diameter: 330 mm  
Handgrip: oval 32x27 mm

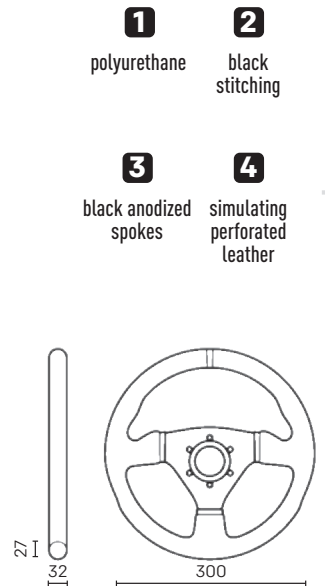
# TRECENTO UNO

ODO-1989/NN

FLAT

SUPPLIED WITH HORN BUTTON

- 1** polyurethane
- 2** black stitching
- 3** black anodized spokes
- 4** simulating perforated leather



Diameter: 300 mm  
Handgrip: oval 32x27 mm

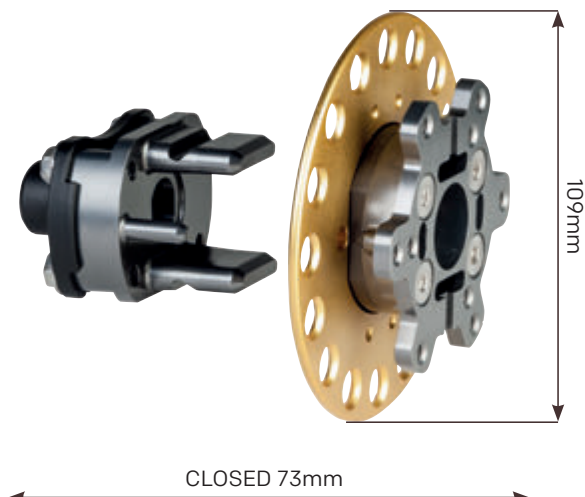


# STEERING WHEELS ACCESSORIES

# STEERING WHEELS ACCESSORIES

## QUICK RELEASE HUB TO BE WELDED

Quick release hub in aluminium with 6 holes. Compatible with 3 or 6 holes steering wheel. Recommended use of PTFE dry lube to get the best performance and preserve all components. Also available with 11 pin professional electrical connectors included (this part is an high performance interconnection engineered with arc-shape metal guides, which ensure a rapid and precise alignment of the 11 contacts. Aluminium body, IP68 sealing, 10000 cycles guarantee, high temperature and chemical resistance). Connector model: FISCHER SFE 104 A056-130 (male) FISCHER DEE 104 A056-130 (female)

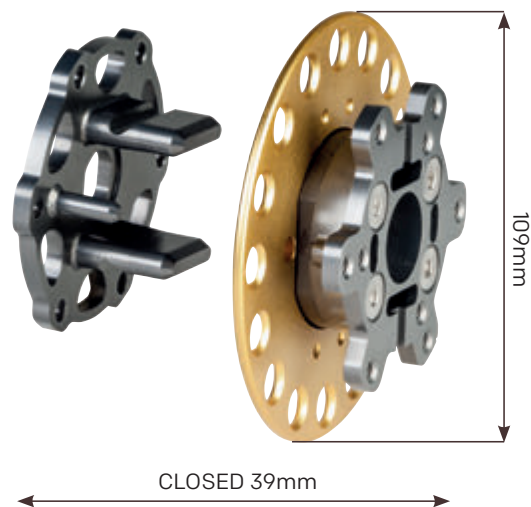


**TO BE WELDED**  
**OSO-0024-A03**

**TO BE WELDED WITH**  
**CONNECTOR INCLUDED**  
**OSO-0024-A04**

## QUICK RELEASE HUB TO BE BOLTED

Quick release hub in aluminium with 6 holes. Compatible with 3 or 6 holes steering wheel. Recommended use of PTFE dry lube to get the best performance and preserve all components. Also available with 11 pin professional electrical connectors included (this part is an high performance interconnection engineered with arc-shape metal guides, which ensure a rapid and precise alignment of the 11 contacts. Aluminium body, IP68 sealing, 10000 cycles guarantee, high temperature and chemical resistance). Connector model: FISCHER SFE-104-A056-130 (male) FISCHER DEE-104-A056-130 (female)

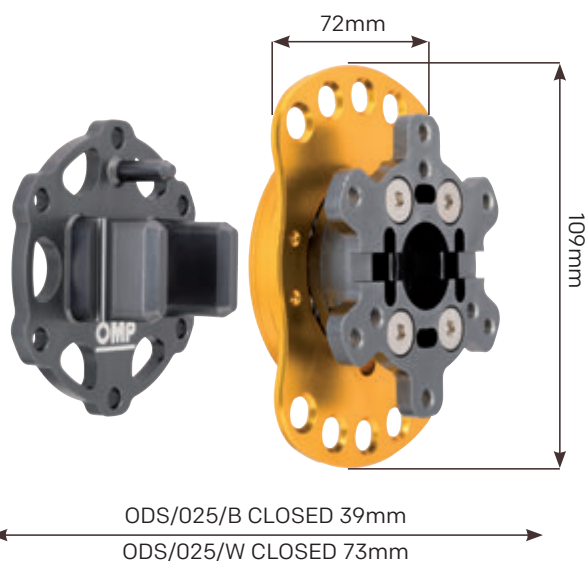


**TO BE BOLTED**  
**OSO-0024-A01**

**TO BE BOLTED WITH**  
**CONNECTOR INCLUDED**  
**OSO-0024-A02**

## QUICK RELEASE HUB

6 holes quick release hub in aluminium. With 'butterfly' shape to avoid interaction with shift paddle. Compatible with 3 or 6 holes steering wheels. Available in to be welded version (ODS/025/W) or in to be bolted version (ODS/025/B).



**TO BE BOLTED**  
**OSO-0025-A01**

**TO BE WELDED**  
**OSO-0025-A02**

AVAILABLE ON REQUEST WITH PROFESSIONAL ELECTRICAL CONNECTOR

**TO BE BOLTED**  
**OSO-0025-A03**

**TO BE WELDED**  
**OSO-0025-A04**

## WHEEL PLATE

**OD0-2029**

Carbon fiber.  
Thickness: 2.5 mm

For use of up to 2 buttons (included). 2 drill points for attachment between steering wheel and hub. Fixing screws included.



## FACE PROTECTION

**OD0-2052-B01**



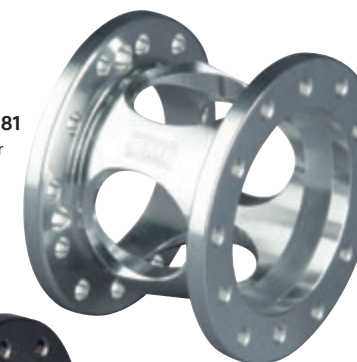
Universal face protection for steering wheel. Suede leather upholstery, it fits on any racing steering wheel thanks to the three adjustable velcro's straps. Made in ultralight CONFOR™ foam CF45M (blue) in compliance with FIA Appendix J Article 285 (revision August 2020). Depth: 40 mm, Diameter: 160 mm.

## FIXED STEERING WHEEL SPACERS

**OSO-0023**

Depth: 60 mm

**OSO-0023-081**  
anodized silver



**OSO-0023-071**  
anodized black



## WHEEL PLATE

**OD0-2026**



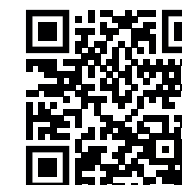
Carbon fiber.  
Thickness: 2.5 mm

For use of up to 4 buttons (not included). 6 drill points for attachment. Fixing screws included.

## STEERING WHEEL HUBS

**OD0-1960-...**

These steering wheel hubs have been designed so as to maintain the original steering wheel (flat model) position.



see the application list on [www.ompracing.com](http://www.ompracing.com) and on QR code



# CAR COVER

**OMPS18010619**  
SIZE M (457X165X120cm)

**OMPS18010819**  
SIZE L (488X178X120cm)

**OMPS18011019**  
SIZE XL (533X178X120cm)

Materials: 4 layers 110g/m<sup>2</sup> PP+PE+PP+ spunlace cotton.  
All weather car cover, reflective grey line along both sides, mirror pocket, rear license plate window, elastic band both front & rear, anti-theft grommet, 4 wheels tie up lace, storage bag. colour: black with grey strip.  
packing: double window bag with colour insert card.



# SPORT CAR COVER

**OMPS18040713**  
SIZE M/L (450x140x120cm)

**OMPS18040913**  
SIZE L/XL (505x165x120cm)

Materials: woolen cloth with spandex 110g, high elasticity.  
description: interior cover, elastic band both front and rear, fits 2/4 doors cars, storage bag.  
Colour: Black.  
Packing: material storag bag & colour box.



# RALLY WHEEL



**OMPS00011503**  
15" X 6.5 4X100 35 60.1

**OMPS00021503**  
15" X 6.5 4X108 16 65.1







# ZN

ZERONOISE

Zeronoise features the most advanced communication systems in WRC. With its adaptive sound technology ZN is able to deal with any car, surface and driver's preference. This technology translates into a full product range of intercoms and full integration with Bell and OMP helmets.

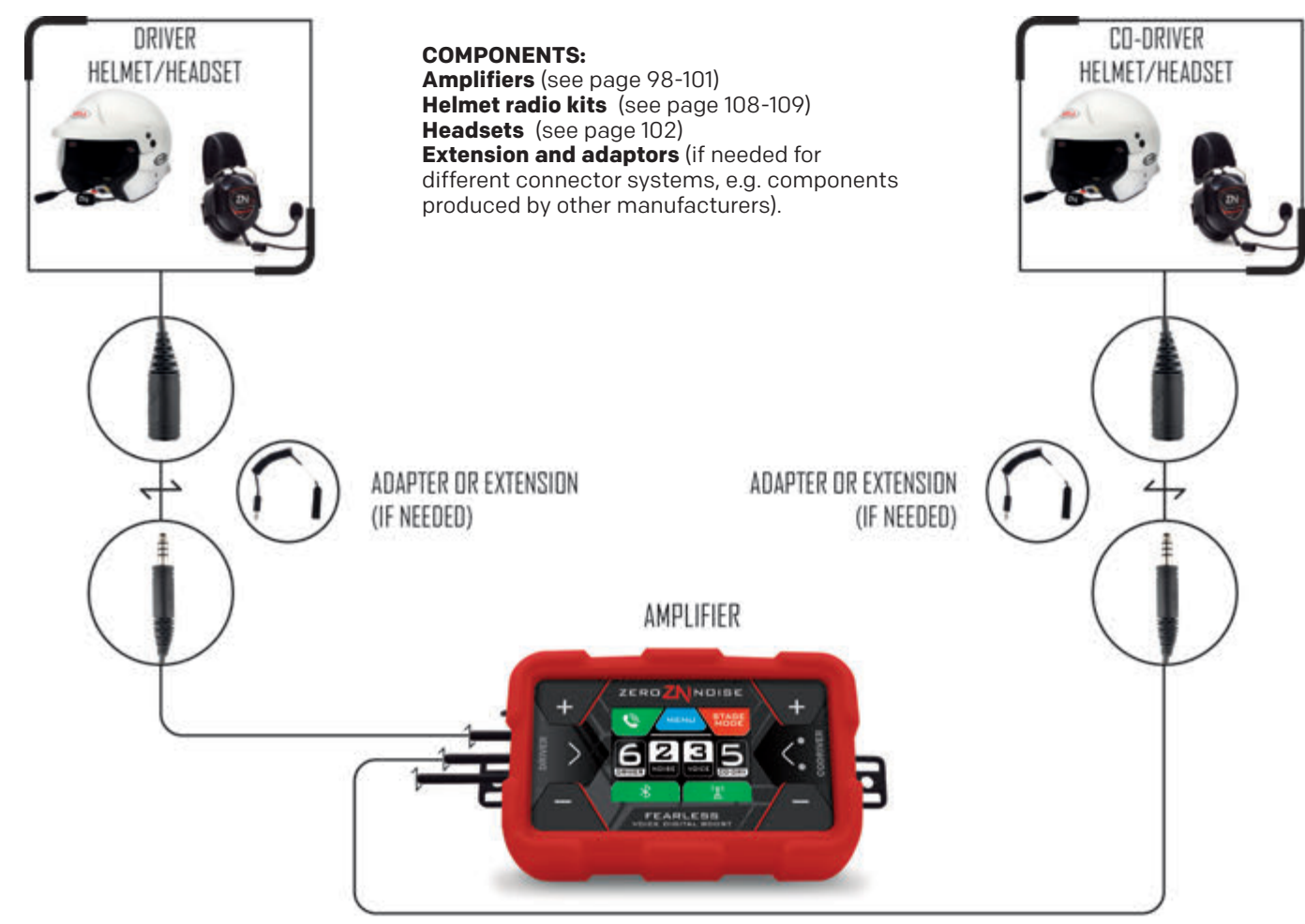
The integration of ZN with OMP and Bell, delivers top performances thanks to the combined effort of the R&D departments. This approach led to breakthrough innovations such as the one today known as the Driver's Eye, the smallest camera in the world for live TV broadcasting, FIA homologated, that brings the driver's POV to the audience.



# RALLY COMMUNICATION SYSTEM

The Rally communication systems enable communication between driver and co-driver with extensive power and noise canceling. It also allows radio connection, Bluetooth connection, as well as car camera.

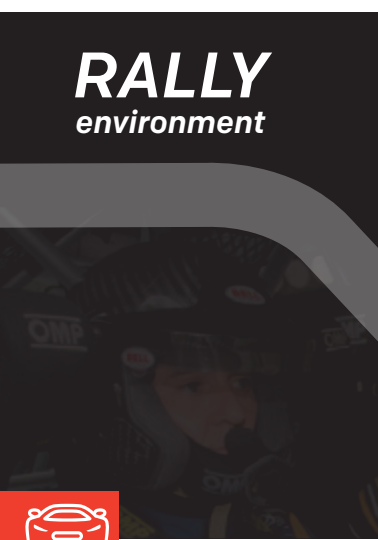
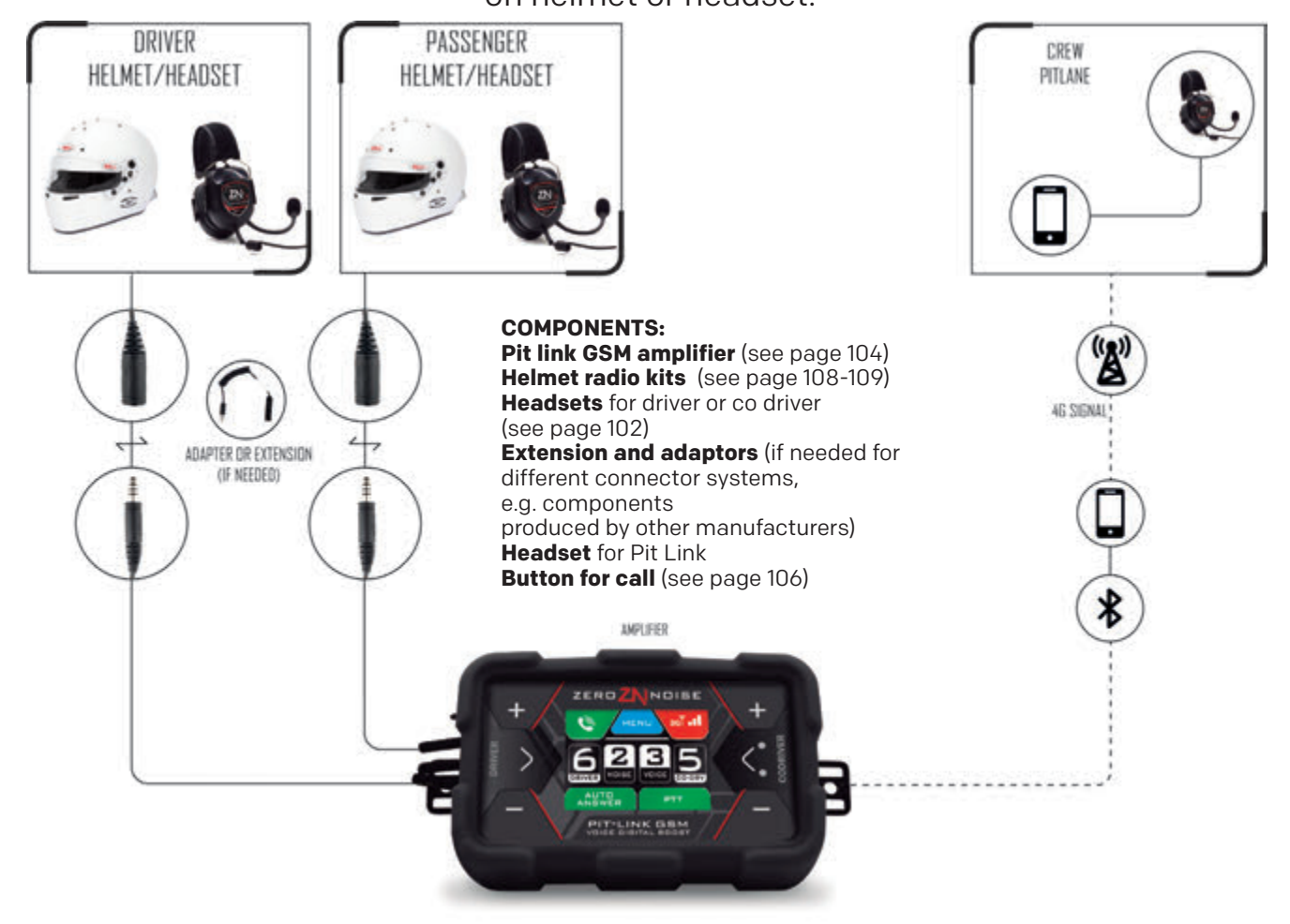
Typical configuration:  
male 4 pin nexus connector on amplifier, female 4 pin nexus connector on helmet or headset.



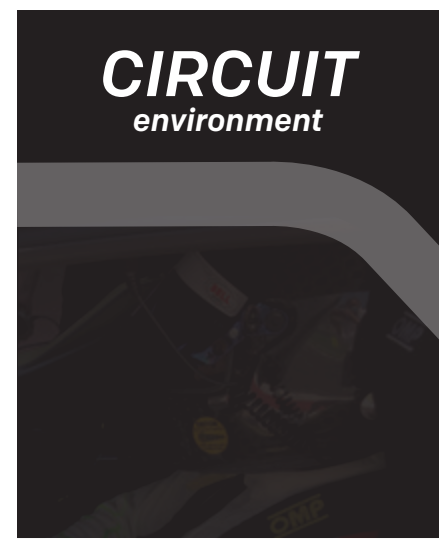
# CIRCUIT COMMUNICATION SYSTEM

Communicate between the car and the pit with a standard phone call, through a professional intercom system connected via bluetooth to the smartphone. PIT LINK allows you to connect up to two people in the car, as well as more cars and more people at the pit by using the conference call feature of the smartphone.

Typical configuration:  
female 4 pin nexus connector on amplifier, male 4 pin nexus connector on helmet or headset.



H. PADDON - BRC RACING TEAM



TOYOTA RACING DEVELOPMENT GR86 CUP



# WIRED MODE COMMUNICATION SYSTEM

The Wired-Wireless (WW) System enables communication between driver and co-driver both in Wired and Wireless mode. When the helmet IS connected to the amplifier via cable, the communication works traditionally, also keeping compatibility with any Nexus communication system.

Typical configuration:

male 4 pin nexus connector on amplifier, female 4 pin nexus connector on helmet or headset..

**COMPONENTS:**

**WW Zeronoise Amplifier** (see page 96)

**WW Bell Helmet radio kits / Helmet radio kits produced by other manufacturers** (see page 108-109)

**WW Zeronoise Headsets / Headsets produced by other manufacturers** (see page 97)

**Extensions and adaptors** (if needed for different connector systems, e.g. components produced by other manufacturers).



# WIRELESS MODE COMMUNICATION SYSTEM

When the helmet IS NOT connected to the amplifier via cable, the system switches automatically to the wireless mode with no interruption whatsoever.

Typical configuration: Wireless connection.

**COMPONENTS:**

**WW Zeronoise Amplifier** (see page 96)

**WW Bell Helmet radio kits** (see page 108-109)

**WW Zeronoise Headsets** (see page 97)

**THE WW SYSTEM MAINTAINS COMPATIBILITY WITH ANY NEXUS COMMUNICATION SYSTEM**



CHECK THE CATALOGUE OR THE BELL RACING WEBSITE TO DISCOVER HELMETS COMPATIBLE WITH THE WIRED-WIRELESS SYSTEM





# FEARLESS WW FOR RALLY USE

# WIRELESS HEADSET FOR RALLY USE

## PRO DIGITAL AMPLIFIER

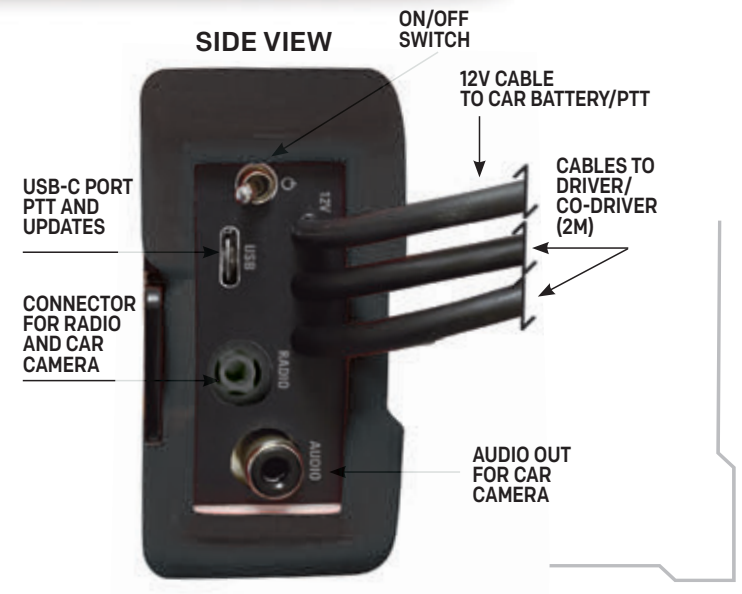
It combines wired and wireless communication using the Zeronoise adaptive noise cancelling algorithm, automatically and smoothly switching to the most efficient mode. The military grade technology always ensures encrypted and reliable communications. It works wirelessly with selected Bell rally helmets, but it is fully compatible with any helmet with a standard Nexus connector.



FEARLESS WW MAINTAINS COMPATIBILITY WITH ANY NEXUS HELMET / HEADSET

**DIMENSIONS**  
125x70x35 mm

**NEXUS CONNECTOR**



**6100041**



Digital - Male  
4 PIN Nexus

**NEXUS CONNECTOR**



**6200009**

**NEW**



High efficiency speakers for music or voice  
Dynamic noise cancelling microphone  
Flex boom to adjust microphone  
High hearing protection  
Soft auto adjustable headband  
Comfortable earpads

Coiled cable  
Available with three different connectors:  
- Male 4 PIN Nexus  
- Female 4 PIN Nexus  
- Female 4 PIN Nexus (comp. IMSA)

**6200010**

Wiring for Headset WW  
Female Nexus 4 PIN Connector





# FEARLESS WRC CANBUS

## PRO DIGITAL AMPLIFIER

CAN-BUS TECHNOLOGY FOR RALLY USE

6100036



**PROFESSIONAL DIGITAL AMPLIFIER**  
with an integrated digital back-up unit and CanBus connectivity for a full car integration. Through the Can-Bus it is possible to set each and every parameter of the amplifier from the car and visualise the values directly on the dashboard. The amplifier has Deutsch connectors.

AVAILABLE UPON REQUEST  
DIMENSIONS  
180x140x45 mm

## WIRING FOR FEARLESS WRC CANBUS AMPLIFIER

6100037

Wires and Deutsch connectors from the Fearless WRC CanBus amplifier to the car.

AVAILABLE UPON REQUEST



HYUNDAI MOTORSPORT

# FEARLESS FOR RALLY USE

## DIGITAL AMPLIFIER

NEXUS CONNECTOR

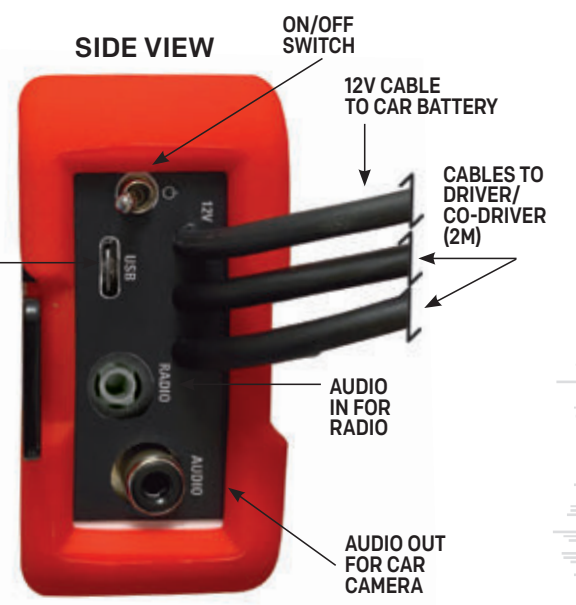
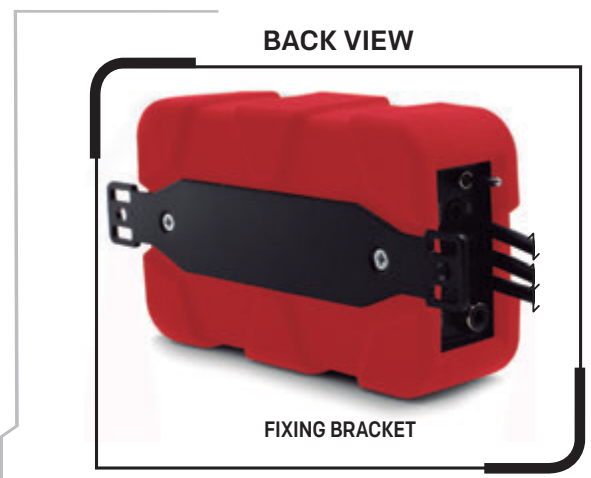
PROFESSIONAL DIGITAL AMPLIFIER

MULTIFUNCTION TOUCH DISPLAY (IT WORKS WITH GLOVES)

DIMENSIONS  
125x70x35 mm



The digital amplifier used by more than half of WRC drivers. A state of the art digital processor provides unique adaptive noise cancelling algorithm and sound comfort. The electronics, look, and usability, make it the finest choice in the market. Anti shock and anti vibration silicon cover. Compatible with any helmet intercom kit with Nexus connectors, and fully compatible with all Zeronoise intercoms kit/headset.



6100008

Digital - Male  
4 PIN Nexus



6100009

Digital - Female  
4 PIN Nexus



6100010

Digital - Female  
4 PIN Nexus  
(comp. IMSA)





# FURY

FOR RALLY USE

**NEW**

## DIGITAL AMPLIFIER

NEXUS CONNECTOR

PROFESSIONAL DIGITAL AMPLIFIER  
DYNAMIC NOISE CANCELLATION

DIMENSIONS  
125x70x35 mm

**TERRAIN:** The algorithm focusses on the noises coming from the road surface.

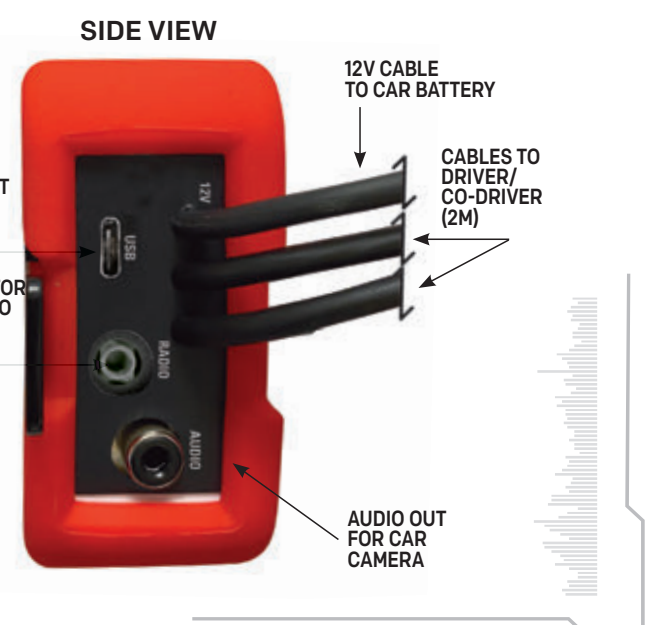
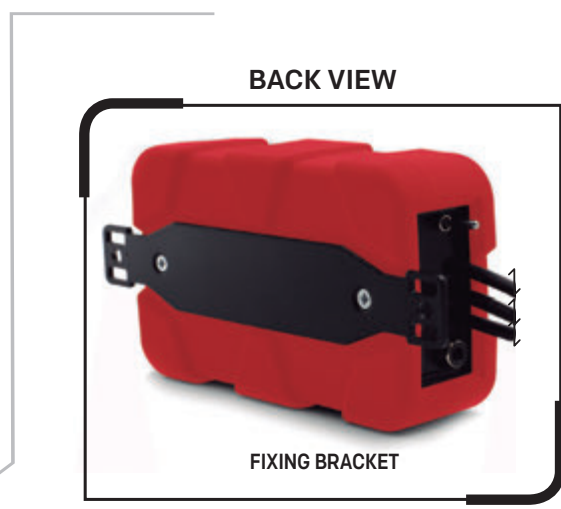
**BOOST:** It enhances the voice volume output for the most demanding drivers.

**ENGINE:** Effective on the noises coming from the engine.

**ROAD/STAGE:** Stage mode turns off the radio output, so the communication is solely between drive and co-driver for maximum focus.



The new digital amplifier that combines the Zeronoise digital sound quality with the simplicity of use. The four pre-set buttons had been carefully designed to refine the sound in any condition. They both work independently or combined.



6100038  
Digital - Male  
4 PIN Nexus



6100039  
Digital - Female  
4 PIN Nexus



6100040  
Digital - Female  
4 PIN Nexus  
(comp. IMSA)



# BRAVE

FOR RALLY USE

## ANALOG AMPLIFIER

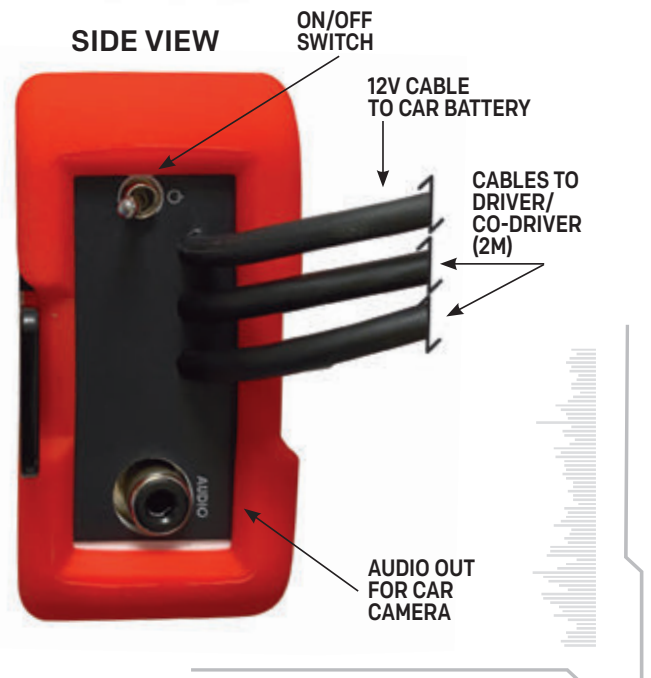
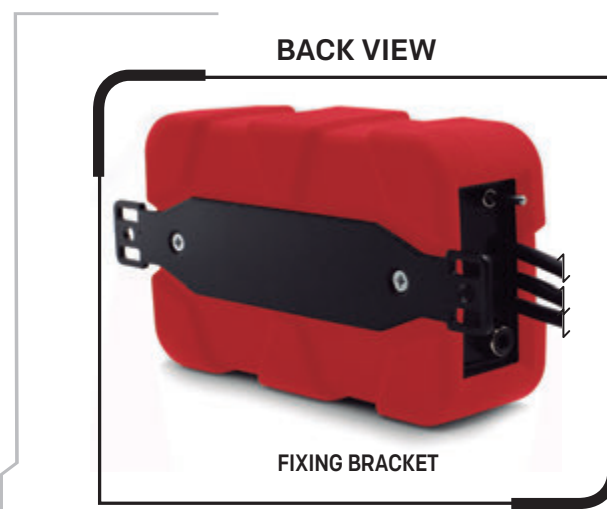
NEXUS CONNECTOR

DIMENSIONS  
125x70x35 mm

NEW RELEASE  
INCREASED POWER OUTPUT INCREASED POWER SUPPLY STABILISATION



Analog amplifier with a unique value for money. Its brand new amplification delivers a clean sound with the likes of professional intercoms and endless power. It also features a 12v power cable to connect BRAVE to the car battery and a car camera RCA socket. It is fully compatible with all ZERONOISE INTERCOM KITS/HEADSETS.



6100002  
Analog - Male  
4 PIN Nexus



6100003  
Analog - Female  
4 PIN Nexus



6100004  
Analog - Female  
4 PIN Nexus  
(comp. IMSA)





# PROFESSIONAL RALLY HEADSET

## NEXUS CONNECTOR

NEW RELEASE



6200002



Analog - Female 4 PIN Nexus

6200003



Analog - Male 4 PIN Nexus

6200004



Analog - Male 4 PIN Nexus (comp. IMSA)

## EARCUPS

6300034

EARCUPS WITH SPEAKERS - RCA MALE (CINCH CONNECTOR) for full face helmets

6300035

EARCUPS WITH SPEAKERS - 3.5 MM STEREO PLUG for full face helmets



## EARPLUGS KIT

6300030

Earplugs kit with foam tips (3.5mm Male Connector)



6300033

Earplugs kit with foam tips (RCA Male Connector)



## PRO EARPLUGS KIT

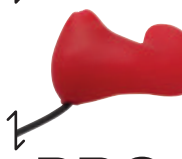
6300028

Semicustom earplugs with short ear canal and cleaning kit (3.5mm Male Connector)



6300031

Semicustom earplugs with short ear canal and cleaning kit (RCA Male Connector)



## PRO EARPLUGS KIT

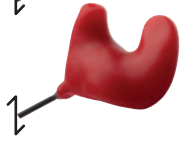
6300029

Semicustom earplugs with long ear canal and cleaning kit (3.5mm Male Connector)



6300032

Semicustom earplugs with long ear canal and cleaning kit (RCA Male Connector)



The new ZN PRO EARPLUGS feature a super soft, very comfortable silicone moulded shape that easily adapts to any ear. The speaker is mounted in the ear canal that can be short or long, depending on the ear shape and personal preferences.

See the dedicated adaptors on page 106 (Ref. 6400021-6400022-6400023).

## PIT HEADSET 6200005

Jack 3.5mm- Smartphone comp. WITH PTT BUTTON - ANDROID compatible.

## PIT HEADSET 6200006

Jack 3.5mm- Smartphone comp. WITH PTT BUTTON - iPHONE compatible.



NEW RELEASE

Professional Headset with Noise cancelling Microphone, Jack 3.5mm connector for smartphone.

## REPLACEMENT TIPS

6400019

€ 6,00 (2)

Replacement foam tips for earplugs.



MALE JACK 4 PIN





# PIT-LINK FOR CIRCUIT USE

## CIRCUIT GSM COMM SYSTEM

### PIT-LINK BLUETOOTH

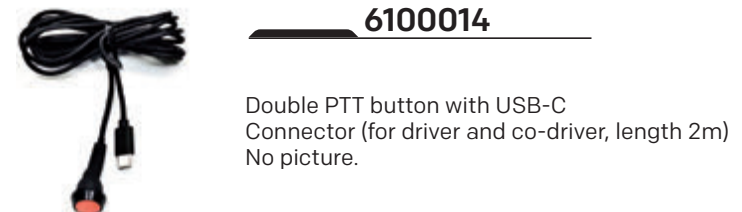
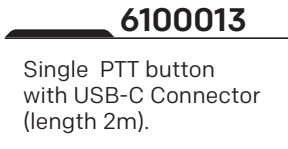
Bluetooth Digital Amplifier that allows professional communication between two people in the car and the pit at the same time through Bluetooth smartphone connection. Noise and voice can be digitally set to fine tune noise canceling and voice. Communication can open up automatically or via PTT button.

**DIMENSIONS**  
125x70x35 mm

### NEXUS CONNECTOR



Digital Noise Filters and Voice Equalisation, Multifunction Touch Display, Nexus connectors, L=2m cables, Car Camera Audio output (RCA), Car battery cable 12V. Software updates through USB-C port, black rugged cover.



# VALIANT

## CLUB AMPLIFIER

**DIMENSIONS**  
125x70x35 mm

### STEREO CONNECTOR



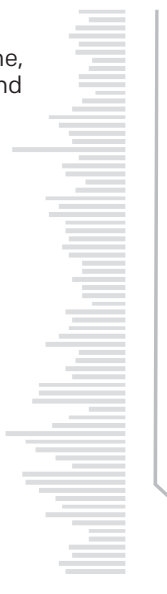
# VALIANT HEADSET

### STEREO CONNECTOR



**HEADSET**  
with Electret Noise Cancelling microphone, Male Jack 6.35mm STEREO connector and coiled cable.

### NEW RELEASE





# SPARE PARTS

## RUGGED SILICONE COVER

Heavy duty silicone cover anti shock and anti vibration.



6100019 red rugged



6100035 grey rugged



6100030 black rugged

## SMOOTH SILICONE COVER



6100018 red smooth

## SOUND FILTER 6400017

12V Power Filter works between the intercom and the 12V power source. It filters audio signal and minimises interferences.



## REPLACEMENT MICROPHONE FOAM COVER 6400024

Replacement for Headset and RHK Jet Version.

**NEW**



## RADIO ADAPTERS

Compatible with amplifier: fury, fearless, fearless WW.

**NEW**



BOX RADIO ADAPTER 6400025

BOX RADIO ADAPTER + POWER FILTER 6400026

## BOX POWER FILTER 6400027

COMPATIBLE WITH ALL Amplifiers

**NEW**



# COMPATIBILITY TABLE

AMPLIFIER, INTERCOM, RADIO, PHONE	HELMET/HEADSET/RADIO HELMET KIT			
	MALE NEXUS 4 PIN	FEMALE NEXUS 4 PIN	MALE NEXUS 5 PIN	IMSA (USA) MALE NEXUS 4 PIN
STANDARD (EU)	MALE NEXUS 4 PIN	FEMALE NEXUS 4 PIN	MALE NEXUS 5 PIN	IMSA (USA) MALE NEXUS 4 PIN
MALE NEXUS 4 PIN	6400004	EXTENSION 6400006	MADE TO ORDER	6400008
FEMALE NEXUS 4 PIN	EXTENSION 6400006	6400005	MADE TO ORDER	6400009
FEMALE NEXUS 5 PIN	6400012	6400013	MADE TO ORDER	MADE TO ORDER
IMSA (USA)	FEMALE NEXUS 4 PIN	FEMALE NEXUS 4 PIN	MADE TO ORDER	MADE TO ORDER
FEMALE NEXUS 5 PIN	NA	NA	NA	6400014
PHONE CONN. 3.5 mm	6400010	6400011	MADE TO ORDER	MADE TO ORDER

## ADAPTORS

REF.	ADAPTOR TYPE	CONNECTOR 1	CONNECTOR 2	CABLE TYPE	LENGHT
STANDARD (EU)					
6400004	ADAPTOR	MALE 4 PIN NEXUS	MALE 4 PIN NEXUS	COILED CABLE CROSSED WIRING	15 cm
6400005	ADAPTOR	FEMALE 4 PIN NEXUS	FEMALE 4 PIN NEXUS	COILED CABLE CROSSED WIRING	15 cm
6400006	EXTENSION	MALE 4 PIN NEXUS	FEMALE 4 PIN NEXUS	COILED CABLE	150 cm
6400012	ADAPTOR	FEMALE 4 PIN NEXUS	MALE 5 PIN NEXUS	STRAIGHT CABLE	15 cm
6400013	ADAPTOR	MALE 4 PIN NEXUS	MALE 5 PIN NEXUS	STRAIGHT CABLE	15 cm
6400021	ADAPTOR EXTENSION	FEMALE 4 PIN NEXUS / RCA	MALE 4 PIN NEXUS	COILED CABLE	15 cm
6400022	ADAPTOR	MALE 4 PIN NEXUS / RCA	MALE 4 PIN NEXUS	COILED CABLE CROSSED WIRING	15 cm
6400023	ADAPTOR	FEMALE 4 PIN NEXUS / RCA	FEMALE 4 PIN NEXUS	COILED CABLE CROSSED WIRING	15 cm
STANDARD USA IMSA					
6400008	ADAPTOR	FEMALE 4 PIN NEXUS	FEMALE 4 PIN (IMSA) NEXUS	COILED CABLE CROSSED WIRING	15 cm
6400009	ADAPTOR	MALE 4 PIN NEXUS	FEMALE 4 PIN (IMSA) NEXUS	COILED CABLE CROSSED WIRING	15 cm
6400007	ADAPTOR	MALE 4 PIN NEXUS	MALE 4 PIN (IMSA) NEXUS	COILED CABLE CROSSED WIRING	15 cm
6400014	ADAPTOR	FEMALE 4 PIN (IMSA) NEXUS	MALE 5 PIN (IMSA) NEXUS	STRAIGHT CABLE	15 cm
STANDARD SMARTPHONE					
6400010	ADAPTOR	MALE 4 PIN NEXUS	JACK 3.5MM MALE FOR SMARTPHONE	STRAIGHT CABLE	50cm
6400011	ADAPTOR	FEMALE 4 PIN NEXUS	JACK 3.5MM MALE FOR SMARTPHONE	STRAIGHT CABLE	50 cm













# FIND YOUR ZN RADIO HELMET KIT

All our radio kits in a single table. Here you can find all the radio kits we have developed for an optimised use with ZN amplifiers, and still compatible with the major competitors' products.

There are 8 models for jet helmets and 12 models for full face helmets: choose yours by **CONNECTOR**, **MICROPHONE** and **SPEAKERS**.


Custom kit available upon request.

YOUR HELMET MODEL	REF.	CONNECTOR
 OPEN FACE HELMET	6300001	FEMALE NEXUS 4 PIN
	6300002	FEMALE NEXUS 4 PIN
	6300003	FEMALE NEXUS 4 PIN
	6300004	MALE NEXUS 4 PIN
	6300005	MALE NEXUS 4 PIN
	6300006	IMSA NEXUS 4 PIN
	6300007	IMSA NEXUS 4 PIN
	6300008	MALE STEREO
 FULL FACE HELMET	6300024	MALE NEXUS 4 PIN
	6300025	MALE NEXUS 4 PIN
	6300026	FEMALE NEXUS 4 PIN
	6300009	MALE NEXUS 4 PIN
	6300010	MALE NEXUS 4 PIN
	6300011	MALE NEXUS 4 PIN
	6300012	MALE NEXUS 4 PIN
	6300013	MALE NEXUS 5 PIN
	6300014	IMSA NEXUS 4 PIN
	6300015	IMSA NEXUS 4 PIN
	6300016	IMSA NEXUS 4 PIN
	6300017	IMSA NEXUS 4 PIN
	6300018	MALE IMSA NEXUS 5 PIN
	6300019	MALE STEREO
	6300026	USB-C FOR PIT LINK
	6300023	FEMALE NEXUS 4 PIN
	6300027	FEMALE NEXUS 4 PIN
6300034	MALE RCA	
6300035	MALE STEREO	


MICROPHONE FOR OPEN FACE		CONNECTOR FOR EARPLUGS		SPEAKERS	
BELL HCB COMPATIBLE	FLEX BOOM	RCA CONNECTOR	3,5mm CONNECTOR	EARCUPS	SPEAKER PADS
					
	✓			✓	✓
	✓			✓	✓
✓				✓	✓
	✓			✓	✓
	✓			✓	✓
	✓			✓	✓
	✓			✓	✓
	✓			✓	✓
		✓			
			✓		
✓				✓	✓
		✓			✓
			✓		✓
		✓			✓
			✓		✓
		✓			✓
			✓		✓
		✓			✓
			✓		✓
		✓		✓	✓
			✓	✓	✓
		✓		✓	✓
			✓	✓	✓

## CONNECTORS


**FEMALE NEXUS 4 PIN**



**MALE STEREO**




**MALE IMSA NEXUS 5 PIN**



PIN 1  
PIN 2  
PIN 3  
PIN 4  
PIN 5


**USA STANDARD**

**MALE NEXUS 5 PIN**




PIN 1  
PIN 2  
PIN 3  
PIN 4  
PIN 5

**USB-C FOR PIT LINK**




**IMSA NEXUS 4 PIN**



PIN 1  
PIN 2  
PIN 3  
PIN 4

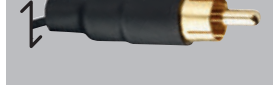
**USA STANDARD**

**MALE NEXUS 4 PIN**



PIN 1  
PIN 2  
PIN 3  
PIN 4

**MALE RCA**



## MICROPHONE & SPEAKERS

**MICROPHONE FOR HCB**



**FLEX BOOM MICROPHONE**



**EARCUPS**



**MICROPHONE KIT FOR EARPLUGS RCA CONNECTOR**

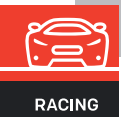


**MICROPHONE KIT FOR EARPLUGS 3,5mm CONNECTOR**



**SPEAKER PADS**









RACING ACCESSORIES



## RACING NET

NAO-1876

Professional entry level racing net with quick release and quick front strap adjustment to fit with several seat positions. Designed to be mounted on the left or on the right side of the driver.

FIA 8863-2013 homologated  
SFI 371 ON REQUEST



## RACING NET

NAO-1875

Professional racing net with small-sized quick release to improve driver's field of view and front strap adjustment to fit with several seat positions. Designed to be mounted on the left or on the right side of the driver.

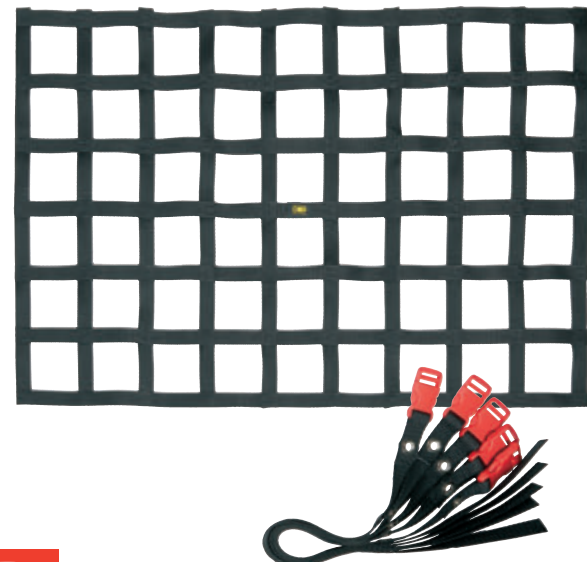
FIA 8863-2013 homologated



## WINDOW NET

NAO-1870

Nylon window safety net. Black colour. Also available in red colour upon request. **Attachment:** velcro. **Dimensions webbing:** 60x60 mm **FIA J 253.11 compliant**



## RACING NET

NAO-1877

Professional top level racing net with quick release, quick front strap adjustment to fit with several seat positions, large triangle to allow an easier mounting complying FIA rules and thinner straps to improve driver's field of view. Designed to be mounted on the left or on the right side of the driver.

FIA homologated 8863-2013  
SFI 371 ON REQUEST



## PROFESSIONAL

NC0-1068

Aluminium frame. Dimensions: 100x72 cm. Complete with 42 cards of numbers, letters and symbols measuring 23x14 cm and one customizable plate 23x65 cm supplied in a synthetic leather bag, which stores sidely on the aluminium frame when not being used.



## TRIPLA

NC0-1067

Aluminium frame. Dimensions: 72x72 cm. Complete with 24 cards of numbers, letters and symbols measuring 23x14 cm



## CARDS

NC0-1069

42 spare cards for pit boards KC/1067 and KC/1068, supplied in a synthetic leather carrying pouch.



## LIQUID CRYSTAL HANDHELD STOPWATCH

NC0-1040



CHRONOGRAPH: with split, total elapsed times up to 9h, 59' 59' 99 seconds.  
CLOCK: displays hours, minutes, seconds, alarm clock with 12/24h option.  
TIMER: with presettable countdown timer. 60 lap memory and lap counter. Shows fastest lap, slowest lap and average lap times. 60 MEMORY

## HANDHELD STOPWATCH

NC0-1041



CHRONOGRAPH: with partial and total elapsed times up to 9h 59'59'99, lap times.  
CLOCK: with alarm clock and Pacer dater.  
TIMER: with countdown function.



## CO-DRIVER PLUS

OB0-2980

**NEW**

Lightweight sporty bag with shoulder strap and organizational features included plenty of internal and external accessory pockets. Ideal for co-drivers.

DIMENSIONS: 40x34x20 cm



**RACING SUIT-INSPIRED DESIGN INSERT**



## PRIVACY SCREEN

NA0-1880



Foldable screen to ensure safety operations privacy. It can be deployed in few seconds, four handles to hold it in position. Structure in fiberglass rib with aluminium joints, screen in airproof and waterproof nylon fabric (not fire retardant). Compact bag for transport included.  
 SIZE (deployed): 1,8mt x 1,8mt  
 SIZE (stored in bag): 1,4mt x 0,13mt  
 WEIGHT: 1,9kg

## SPLASH GUARD

NA0-1700-A01 Polyethylene splash guard  
 Dimensions: 50x30 cm Thick: 1,5 mm

- Red  
NA0-1700-A02-061
- Blue  
NA0-1700-A01-041
- Black  
NA0-1700-A01-071
- Trasparent  
NA0-1700-A01-020



## WHEEL SUPPORT

NA0-1819

Spare wheel support with quick release system.



## CO-DRIVER MAP LIGHT



**6400001**  
 High efficiency led and flex metal boom, fixing bracket with switch. Length: 50 cm

**6400002**  
 High efficiency led and flex metal boom, fixing bracket with switch. Length: 40 cm

**6400003**  
 High efficiency led and flex metal boom, fixing bracket with switch. Length: : 30 cm

## CO-DRIVER'S PAD



**NA0-1863**  
 Size: A4  
 Pages: 130

**NA0-1862**  
 Size: 17,3x22cm  
 Pages: 130

## NYLON STRAP

NA0-1822

Nylon spare wheel down strap.



## SHEATH

CD0-0324-A01

Fire resistant sheath.  
 Ø Internal: 10mm  
 Length: 5m

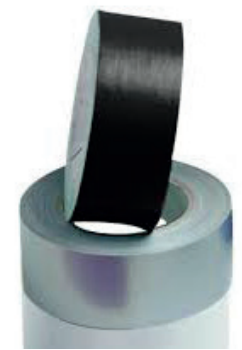


## TANK TAPE

NA0-1859

Tank tape.  
 Wide: 50 mm  
 Roll: 50 m

- Black  
NA0-1859-071
- Grey  
NA0-1859-081



## CROSS WHEEL SPANNER

NA0-1821

Combination steel cross wheel spanner and spare wheel support.



## STEEL SPANNER HOLDER

NA0-1820

Steel sheel spanner holder.





# BONNET PINS AND TOW HOOKS

# RACING PEDALS AND FOOTRESTS

## PINS

**EBO-0489**

Stainless steel pins with large slide pins.



## PINS

**EBO-0480**

M10 aluminium pins with small sliding pins in stainless steel.



## CLIPS

**EBO-0491**

Stainless steel spring clips. Suitable for hatchbacks.



## PINS

**EBO-0490**

M10 stainless steel pins slide with large cast aluminium washers.



OPEN

CLOSED



## STRAPS

**EBO-0487**

Leather straps.



## HOOKS

**EBO-0483**

Rubber hooks (large).



## HOOKS

**EBO-0578**

FIA APPENDIX J art. 253

Straps. 2" ø ring: 14mm Chassis fixing: two hole 8mm and 14mm Red only.



## HOOKS

**EBO-0580**

FIA APPENDIX J art. 253

Straps. 2" With restraint elastic strap. Compliant with FIA rules.



## BONNET PINS

**EBO-0492**

Red **EBO-0492-061**

Aluminium **EBO-0492-003**

Black **EBO-0492-071**

Blue **EBO-0492-041**



Quick release bonnet pins aluminium W 7/16" with stainless steel hardware.

## HOOKS

**EBO-0482**

Rubber hooks (small).

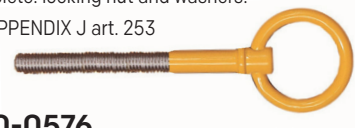


## TOW HOOK

**EBO-0571**

Tow hook, stainless steel painted finish. Stud: M 12 Internal ø: 50mm Thickness: 8mm Complete: locking nut and washers.

FIA APPENDIX J art. 253



**EBO-0576**

Two hook, stainless steel painted finish. Stud: M 12 Internal ø: 80mm Thickness: 8mm Complete: locking nut and washers.

FIA APPENDIX J art. 253



## TOW HOOK

**EBO-0572**



Aluminium tow hook, flat. Thickness: 6 mm

## 3 PEDALS SET

**OA0-1010**



Complete 3 pedals in sandblasted aluminium, with a long accelerator pedal. Supplied with steel bolts. **Dimensions brake:** 60x100 mm **Dimensions accelerator:** 60x210 mm

## 3 PEDALS SET

**OA0-1000**



Complete 3 pedals in sandblasted aluminium. Supplied with steel bolts. **Dimensions brake:** 60x100 mm **Dimensions accelerator:** 60x100 mm

## 3 PEDALS SET

**OA0-1020**

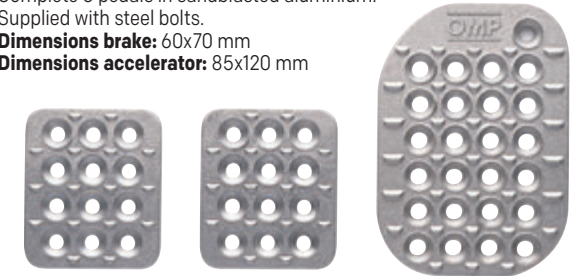
Complete 3 pedals in sandblasted aluminium, with a long accelerator pedal. Supplied with steel bolts. **Dimensions brake:** 60x70 mm **Dimensions accelerator:** 60x210 mm



## 3 PEDALS SET

**OA0-1863**

Complete 3 pedals in sandblasted aluminium. Supplied with steel bolts. **Dimensions brake:** 60x70 mm **Dimensions accelerator:** 85x120 mm



## 3 PEDALS SET

**OA0-1030**



Complete 3 smooth aluminium pedals, suitable for rally use, already drilled and countersunk. Supplied with steel bolts. **Thick:** 3 mm

## 3 PEDALS SET

**OA0-1050**



Same features as partnumber OA/1030, but the surface of the pedals is in knurled aluminium and can be shaped as needed. **Thick:** 2,5 mm



## 3 PEDALS SET

OA0-1040

Complete 3 pedal set with short accelerator pedal in silver anodized aluminium.  
 Inserts: rubber anti-slip.  
**Dimens. brake:** 60x80 mm  
**Dimens. accelerator:** 60x105 mm  
 Supplied with steel bolts.



## 3 PEDALS SET

OA0-1069

Complete 3 pedal set, in anodized aluminium and sandblasted aluminium, with long accelerator pedal; anti-slip design.  
**Dimens. brake:** 60x90 mm **Dimens. accelerator:** 65x180 mm  
 Supplied with steel bolts.  
 Colours: blue ((OA/1069/B), silver (OA/1069/A).



## 2 PEDALS SET (no picture)

OA0-1072

Same features of OA/1069 model with 2 pedal set with long throttle pedal; brake pedal for automatic transmission.  
**Dimens. brake:** 140x79 mm **Dimens. throttle:** 65x180 mm  
 Supplied with steel bolts. Colours: black ((OA/1072/N), silver (OA/1072/A).

## FOOTREST

OA0-2070



Driver's left footrest in knurled aluminium.  
**Dimensions:** 285x120 mm

## FOOTREST

OA0-1867



Driver's left footrest for left foot, in sandblasted aluminium. Supplied with steel bolts and brackets.  
**Dimensions:** 260x100 mm

## FOOTREST

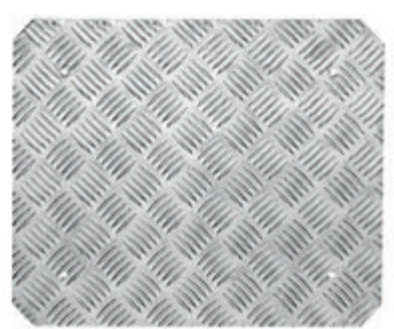
OA0-2060



Co-driver's footrest in knurled aluminium.  
**Dimensions:** 335x300 mm

## FOOTREST

OA0-2080



Universal flat footrest in knurled aluminium.  
**Dimensions:** 365x418 mm

## MASTER SWITCHES (6 poles)

FIA APPENDIX J ART. 253



EA0-0462

6 poles with removable key disconnecting battery and alternator.

EA0-0464

Spare key for EA/462 model.

## MASTER SWITCHES (2 poles)

FIA APPENDIX J ART. 253



EA0-0460

2 poles with removable key disconnecting battery only.

EA0-0463

Spare key for EA/460 model.

## STAY BARS

EB0-0570



Stay-bars, pair of zinc plated steel stay-bars for spotlights. **Variable length:** 130/195 mm

## LITHIUM BATTERY

OMPS20002009

**Lithium Battery 20AH**  
 Materials: ABS  
 Lithium Battery for cars with Alternator, 20AH/256WH, PCC 900A, Weight 3.5KG  
 For cars upto 2000CC



OMPS20001809

**Lithium Battery 18AH**  
 Materials: ABS  
 Lithium Battery for cars with Alternator, 18AH/230WH, PCC 1000A, Weight 3.8KG  
 For cars upto 4000CC

## SWITCHES ACCESSORIES

With threaded fixing nut, 2 poles.

## PUSH BUTTON

EA0-0467

PUSH BUTTON  
 For exterior use, water resistant.



## PROTECTION

XMC-181493

PROTECTION  
 Rubber ring for push button EA/467.





# TYRE WARMERS

A line of tyre warmers available in 4 different standard sizes, offering greater versatility across a wider range of tyre sizes and now available in two types: with a standard temperature control thermostat or with a central electronic temperature control box.

**Interior:** Nomex®.  
**Exterior:** Cordura® which improves transpiration allowing moisture to escape away from the tyre.  
**Electrical cables and connectors are compliant with EEC electrical standards.**

Upon request, tyre warming blankets can be made to measure. Tyre warmers for motorcycles are also available upon request.

**Tyre warmers models with a Central Electronic Temperature Control Box (part number T200)** allows each of the 4 tyres to have individual temperature settings. The control box features an electronic control device controlled by software preventing overheating. The external case of the control box is ABS plastic with an electrical protection rating of IP44.

**Tyre warmers models with a Standard Temperature Control** allows the tyre surface to reach 80/85 °C. The time required to reach this temperature is depends on ambient temperature, tyre dimensions and operating conditions.

**T00-1957-A02** - Width: 190/220 mm Ø 570/220 mm

**T00-1957-A01** - Width: 190/220 mm Ø 570/585 mm

**T00-1963-A02** - Width: 190/200 mm Ø 630/640 mm

**T00-1963-A01** - Width: 190/200 mm Ø 630/640 mm

**T00-2363-A02** - Width: 230/260 mm Ø 630/645 mm

**T00-2363-A01** - Width: 230/260 mm Ø 630/645 mm

**T00-2360-A02** - Width: 230/260 mm Ø 600/620 mm

**T00-2360-A01** - Width: 230/260 mm Ø 600/620 mm

THE MEASUREMENTS REFER TO THE TYRE SIZES.

CUSTOM MADE MEASURE ON REQUEST

\*Price is for single tyre warmer.



**T00-0200-A01**

Electronic thermostatic control box with digital display for 2 tyre warming blankets.



**T00-0200-A02**

Electronic thermostatic control box with digital display for 4 tyre warming blankets.



# MOTORSPORT CARE

The expertise of two historic companies in motorsport and care respectively, mixed together for an exclusive range of products for the cleaning and maintenance of your racing gear: OMP Motorsport Care powered by MaFra.



## MULTIPURPOSE pre-wash degreaser and stain remover

**PC0-2005**

- High performance specific pre-wash treat for grease and oil stains
- Helps to blast out grease and dirt from every fabric (fire retardant or karting suits, seats, steering wheels...)
- Ultra fast action
- Special formula with balanced ph
- Vol. 500 ml



## SUEDE leather cleaner

**PC0-2006**

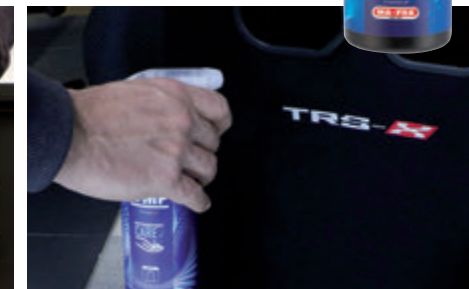
- Cleans and hydrates the suede leather of boots and steering wheels covers.
- New formula with aloe vera and natural waxes
- Revives the suede and keeps it soft
- Easy and fast to use
- Vol. 500 ml



## SEAT FABRIC cleaner

**PC0-2007**

- Wipes off grease and dirt from your racing seats' fabric upholstery.
- Active foam eases the removal of dirt from the fibers
- Revives the fabric after the most stressing racing sessions
- Easy and fast to use
- Vol. 500 ml



## FINE WHEELS

**PC0-1001**

Concentrated detergent for steel wheels, alloy wheels and brake calipers. Contents: 750 ml



## BLACK LIGHT

**PC0-2002**

Transparent black acrylic paint for personalization of indicator lights. Colours: black, green, blue. Contents: 400 ml



## FIRE PAINT

**PC0-2001**

Special high temperature paint for exhaust systems, brake calipers, engines, etc. Colours: red, blue, yellow, black, silver, gold. Contents: 400 ml





# GS OFFICE CHAIR

**HA0-0835-A01**
**NEW**

- 1 Vinyl with 3D effect sewing
- 2 High quality reclining mechanism
- 3 Aluminium base
- 4 3-way adjustable arm rests
- 5 Hydraulic height adjustment


**HA0-0835-A01-178**  
black/yellow

**HA0-0835-A01-071**  
black with removable cushion

**HA0-0835-A01-276**  
black vinyl with breathable  
Airnet fabric

**UNI EN 1335-2020**
**CLASS B  
HOMOLOGATION**

The standard for office work chairs


**HA0-0835-A01-073**  
black/red

 Removable lumbar cushion  
included.  
Optional headrest cushion  
HBO-0709

# GSX GAMING CHAIR

**HA0-0836-A01**
**NEW**

- 1 Vinyl with 3D effect sewing
- 2 High quality reclining mechanism
- 3 Base with colored inserts
- 4 4-way adjustable arm rests
- 5 Hydraulic height adjustment


**HA0-0836-A01-179**  
black/fluo orange

**HA0-0836-A01-274**  
black/fluo green

**HA0-0836-A01-071**  
black

**UNI EN 1335-2020**
**CLASS B  
HOMOLOGATION**

The standard for office work chairs


**HA0-0836-A01-178**  
black/fluo yellow

 Removable lumbar cushion  
included.  
Optional headrest cushion  
HBO-0709



# OMP E-RACING COCKPITS

OMP started a new exclusive partnership with Playseat®, the world's leading company in racing simulation cockpits. The new OMP e-racing GTR cockpit stands out for the integration with the HTE-R or Champ-R seats, the same FIA-homologated products developed by OMP for real-world racing. The virtual driving experience becomes even closer to the real thing, by perfectly replicating the ergonomics of GT, Touring and Rally cars.

The sim racers more focused on single-seater cars can opt for the Playseat® Formula model, successfully used by many globally renowned drivers.

All the sim rigs are fully compatible with any console, steering wheel, pedal board and simulation platform on the market.

## GTR COCKPIT **NEW**

### HTE-R seat ERO-001

The OMP e-racing GTR cockpit is built around the renowned OMP seats. These FIA-homologated seats used in real racing enable to replicate the ergonomics of GT, Touring and Rally cars.



### CHAMP-R seat ERO-002

The OMP e-racing GTR cockpit is built around the renowned OMP seats. These FIA-homologated seats used in real racing enable to replicate the ergonomics of GT, Touring and Rally cars.



## FORMULA COCKPIT

**NEW**

### ERO-003

The OMP e-racing custom Formula seat is ideal for sim racers focused on single-seater cars. It has been successfully tested by many globally renowned drivers and features a dedicated OMP colour scheme.





# STRUT BRACES

We are the leading European manufacturer of strut braces, offering over 1000 vehicle specific applications. Our strut braces are engineered to keep suspension geometry unaltered in hard cornering, while improving feedback to the drive.

## STRUT BRACES ALLUMINIUM

Extruded aluminium strut brace with adjustable ends and steel flanges.



## STRUT BRACES STEEL

Steel strut brace with hardened resin paint finish and adjustable coupling.



# HARNESSES STRUCTURE

X00-963-CINT



Safety harnesses fasten structure to be matched with the seat support X00-963

# BASE

X00-963



Both bottom mounting or side mounting models with side brackets.



Consult our make/model application lists to find the product dedicated to your car. Use the QR to access our price list.



[www.ompracing.com](http://www.ompracing.com) and on QR code

# EXPOSITION SEAT ACCESSORIES



Discover all the promotional products range on the 2023 RACEWEAR catalog!

You will find all what the driver needs for the maximum performance:

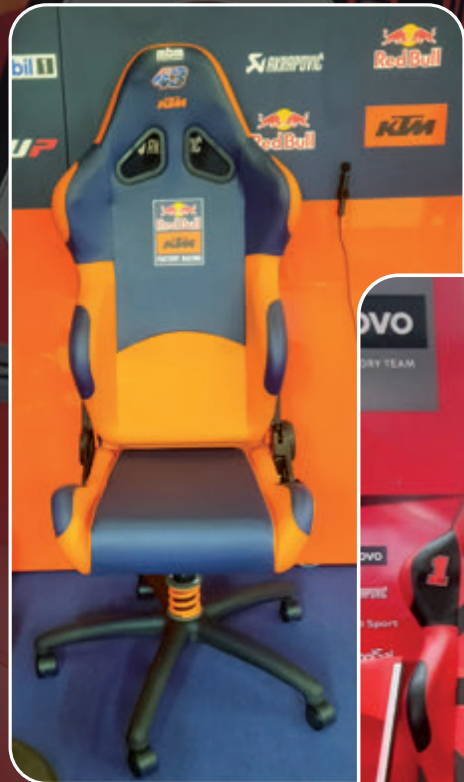
- fireproof racewear
- underwear
- shoes and gloves
- helmets and intercoms
- karting racewear and accessories



# OMP CHAIR CUSTOMIZED BY



## MOTO GP / WSBK



# SPORT PARTNERSHIP



**GENOA CFC**

Genoa CFC office chair (blue/red HA/777/gen7br - red/blue HA/777/gen/rb) available on [ompracing.com](http://ompracing.com)



**U.C. SAMPDORIA**

U.C. Sampdoria office chair (HA/777E/SAM/BW) available on [ompracing.com](http://ompracing.com)



**CFR CLUJ**



**RIO AVE**



**SPORTING CLUBE DE PORTUGAL**



**FC PORTO**



**LUBE Volley**



**DINAMO SASSARI Basket**



# OFFICIAL LICENSED PRODUCTS

for more details visit: [www.camolicensing.com](http://www.camolicensing.com)



LITHIUM BATTERY  
FOR CARS UPTO 2000CC  
AND 4000CC



MEC GLOVE  
STRETCH FABRIC  
INSERTS



PRO SPORT  
SAFETY SHOES



PRO URBAN  
SAFETY SHOES



CAR COVER  
WITH REFLECTIVE  
GREY LINE



SPORT  
CAR COVER  
INTERIOR COVER



RALLY  
WHEEL



# RACING FORCE GROUP



Listed  
Euronext Growth Milan (RFG)  
Euronext Growth Paris (ALRFG)





# SERIOUS HEAD PROTECTION



[bellracing.com](http://bellracing.com)

RACINGFORCEGROUP

*Brands that beat with the same racing heart*







RACING SPIRIT  
CREW LINE



*Racing Spirit*  
racingspirit.com

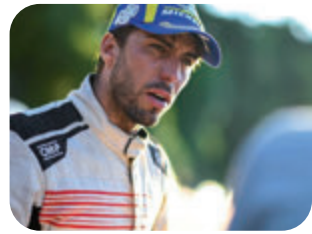
Brands that beat with the same racing heart

RACINGFORCEGROUP





# SOME OF OUR FRIENDS



**FABIO ANDOLFI**



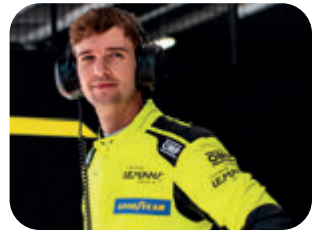
**LORENZO BERTELLI**



**YOANN BONATO**



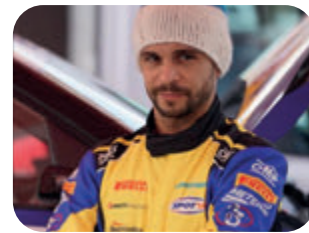
**CARLO BOROLI**



**MATTEO CAIROLI**



**CKR**



**DAMIANO DE TOMMASO**



**GIGI GALLI**



**GOLD KART**



**ITALCORSE**



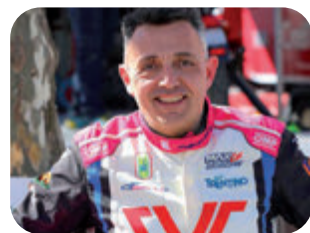
**LGK**



**JESSE LOVE**



**RAFFAELE MARCIELLO**



**CHRISTIAN MERLI**



**PANTANO RACING TEAM**



**PB RACING**



**LUCA PEDERSOLI**



**PCR**



**MARTIN PROKOP**



**RED RACING**



**OLIVER SOLBERG**



**TGR ITALY**



**SHANE VAN GISBERGEN**



**VSR**

## TERM SALE

By placing an order, the buyer accepts and unconditionally agrees with the conditions described in this document, and undertakes to follow them during the course of the business relationship with Racing Force, declaring to have read and accepted them. The buyer also agrees that Racing Force don't consider themselves bound to different conditions, except where agreed in writing in advance. The buyer accepts the terms of sale indicated below. In the event of any legal dispute, the Court of Genoa, Italy, is competent. Racing Force reserves the right to modify the terms of sales anytime, also in view of possible regulatory changes. The new Terms Of Sale will be effective starting from the date of publication on OMP Racing official website ([www.ompracing.com](http://www.ompracing.com)). For any request of clarification or complaint, contact the following email address: [info.rf@racingforce.com](mailto:info.rf@racingforce.com)

**CHARACTERISTICS AND PRICES OF PRODUCTS** The price indicated are VAT excluded. The characteristics and technical data of the items presented in this catalogue are not binding and can be changed without notice. The products' colors can also be considerably altered.

**RETURNED ITEMS - DELIVERY TIME** Racing Force is not responsible for delayed deliveries and will not pay for possible consequent damages. Returned goods will be accepted only when authorized by Racing Force, provided with regular goods return note, and carriage paid. Racing Force will charge all the costs deriving from damages on the returned goods or missing parts. Defective or not functioning items that will be returned after having been purchased will be repaired in the necessary time and will not be substituted by new ones in any way. Orders made in writing (fax, mail, e-mail, etc.) will be considered automatically confirmed and will be forwarded in accordance with the normal procedure. The goods travel at the risk of the consignee, and any damage caused during the carriage will be charged to the consignee.

**CARE AND MANTAINANCE** Before the use of any item, carefully read the labels and the user's manual, and strictly follow the instructions. Improper use or mantainance can reduce the effectiveness of the item, provoke untimely wear and increase the risk of serious or lethal injuries in case of accident or fire. Improper use or mantainance void the guarantee and relieve Racing Force from any responsibility towards the user.

## WARNING

Motorsport is an intrinsically dangerous activity, that can result in serious or lethal injuries. The items described in this catalogue provide for protection on specific parts of the body for a limited period of time in controlled test conditions, in accordance with the FIA standard specified on each item's label. No device can provide a complete protection from every injury in case of accident or fire. The user, at the time when he uses the products, relieves the manufacturer, the distributor, the owner, the employees, the agents, the sales representatives from any responsibility. It is the user's responsibility to become familiar with all available informations about the correct use and mantainance of the products. If uncertain of the correct use and mantainance, the user must not use the products. The manufacturer, the distributor and their respective owners, employees, agents and representatives are not responsible for mistakes or omissions.

### DISCLAIMER

- Each personal safety device is part of a complete safety system including the other racewear products, protections, the vehicle, the racetrack, the event organization.
- Personal safety products are not conceived to provide the same performance level or protection through the whole specific product. Different parts or areas of the product can provide different levels of protection, in spite of the fact that they may appear the same.
- Personal safety products must always be inspected before use and replaced after any evidence of wear, and after exposure to chemicals, excessive heat or any unusual condition.
- Products are sold to be used in legally sanctioned autosport events only, and are not intended to be used and/or installed for regular street use, as street use safety products are subject to different homologations and laws depending on the State or country.

- It is the user's responsibility to become familiar with all available informations about the correct use and mantainance of the products. If uncertain of the correct use and mantainance, the user must not use the products. The manufacturer, the distributor and their respective owners, employees, agents and representatives are not responsible for mistakes or omissions.

- Every single modification or customization of the products, and every operation on them may reduce their security features. Thus, the user is responsible at his own risk for the reduction of security features caused by modification or customization.

### BY THE USE OF THESE PRODUCTS, THE USER ACKNOWLEDGES:

That each personal safety device is part of a complete safety system including the other racewear products, protections, the vehicle, the racetrack, the event organization; that personal safety products are not conceived to provide the same performance level or protection through the whole specific product. Different parts or areas of the product can provide different levels of protection, in spite of the fact that they may appear the same; that personal safety products must always be inspected before use and replaced after any evidence of wear, and after exposure to chemicals, excessive heat or any unusual condition.

That the helmet is conceived and designed to reduce the risk of cranial and facial injuries only in case of impact. That no helmet can protect against any possible and foreseeable impact. That helmets are not recommended and sold for high-risk jobs such as refuelers. Further information at the following web addresses: [www.ompracing.com](http://www.ompracing.com) and [www.ompamerica.com](http://www.ompamerica.com)



# INDEX

<b>A</b>	_____
70	Air cooling kit
<b>B</b>	_____
210	Bonnet pins
<b>C</b>	_____
182	Car cover
215	Chemical products
207	Chronometers
208	Co-driver accessories
208	Co-driver map lights
<b>E</b>	_____
213	Electrical accessories
154	Extinguisher accessories
130	Extinguishers
<b>L</b>	_____
213	Lithium battery
<b>M</b>	_____
213	Master switches
<b>N</b>	_____
206	Nets - racing
<b>P</b>	_____
211	Pedalsets and footrest
207	Pit boards
221	Promotional items
<b>R</b>	_____
204	Racing accessories
224	Rally wheel
124	Roll bars
128	Roll bars - accessories
<b>S</b>	_____
78	Safety belts
12	Seats
71	Seats - accessories
72	Seats - vintage
73	Seats - specific brackets
74	Seats - universal brackets
218	Sim cockpits
213	Stay bars
180	Steering wheel - accessories
181	Steering wheel - hubs
158	Steering wheels - racing
181	Steering wheel - spacers
220	Strut braces
<b>T</b>	_____
210	Tow hook
214	Tyre warmers
<b>W</b>	_____
216	Wheeled chair
<b>Z</b>	_____
184	Zeronoise communication devices

# OMP

A BRAND OF

# RACING FORCE GROUP



## CONTACT US

### RACING FORCE S.p.A. (Headquarter)

Via E. Bazzano, 5  
16019 Ronco Scrivia (GE) Italy  
Phone: +39 010 96501  
Fax: +39 010 935698  
Email: info.rf@racingforce.com  
ompracing.com

### RACING FORCE USA Inc.

241 NE 61st St. Miami, FL 33137  
Phone: (305) 373-0051  
Fax: (305) 373-6673  
Toll Free: 1 866 OMP-2637  
Email: info.usa@racingforce.com  
ompamerica.com



### MOTORSPORT EXPORT SALES

Phone: +39 0109650150  
Fax: +39 010 935698  
Email: exportsales.rf@racingforce.com



### MOTORSPORT ITALIAN SALES

Phone: +39 010 9650147  
Fax: +39 010 93505808  
Email: vendite.italia@racingforce.com



### KART SALES

Phone: +39 010 9650147  
Fax: +39 010 93505808  
Email: kartsales.rf@racingforce.com



Scan the QR code  
for price list





C A R P A R T S  
2 0 2 4 C A T A L O G

RACINGFORCEGROUP



X00-881-2024-OMPCP

CATALOG OMP 2024 CAR  
PARTS



8 056690 456599